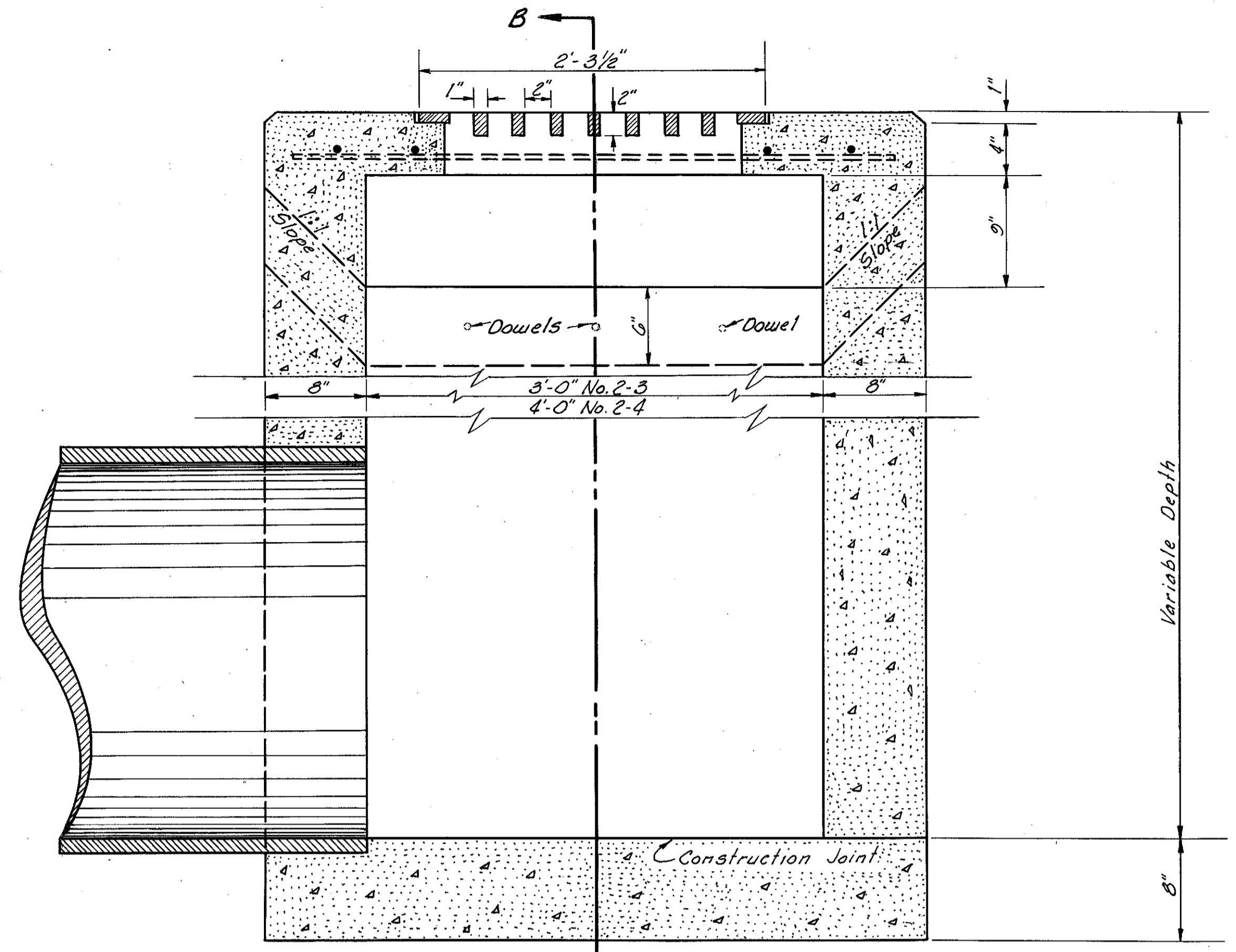


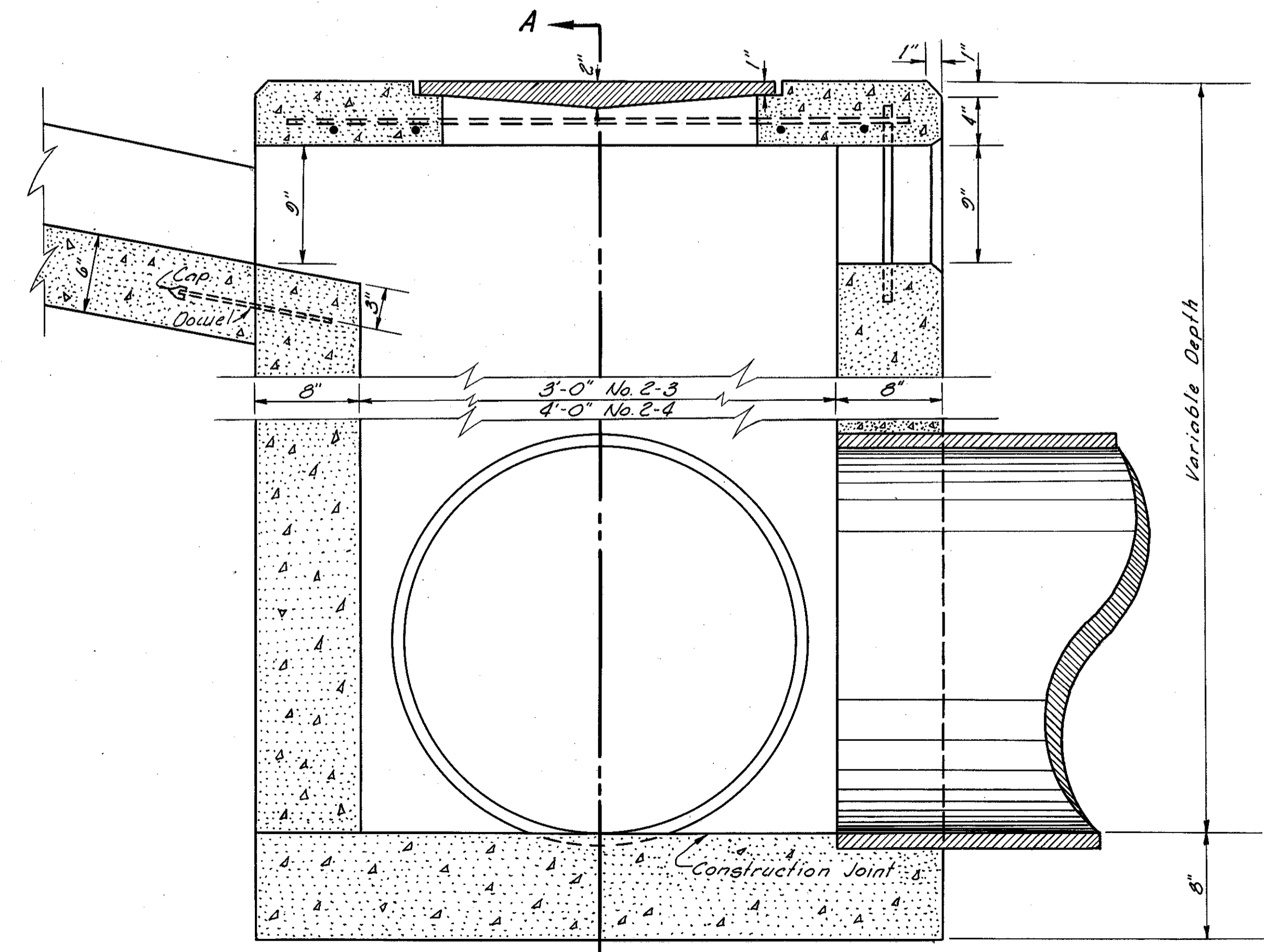
FED. RD. DIVISION	STATE	PROJECT	
2	OHIO	I-1102 (6) I-1103 (18)	347 458

CUYAHOGA & LAKE COUNTIES
 CUY-1-15.91
 LAK-1-0.00

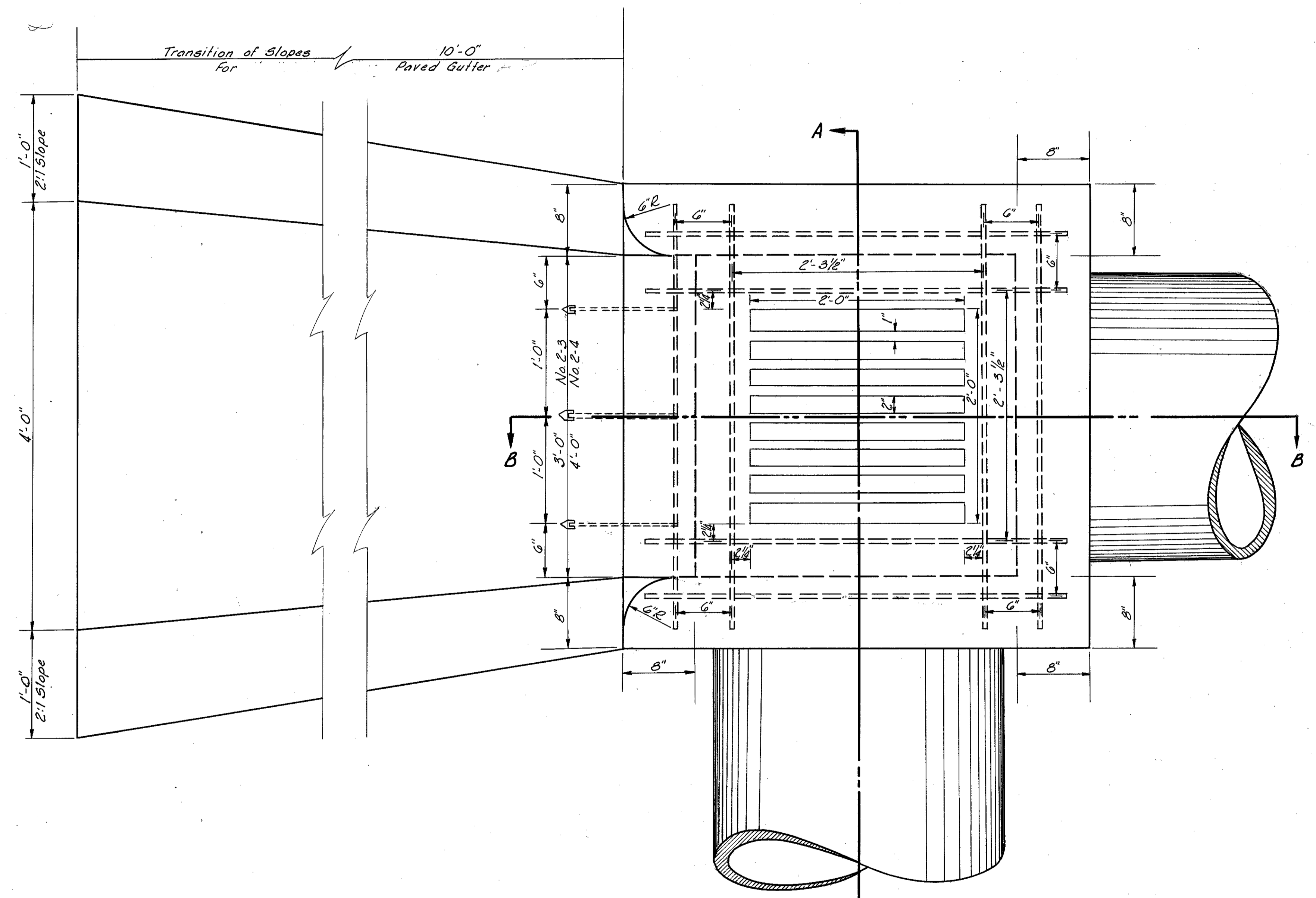
MODIFIED No. 2-3 & No. 2-4 CATCH BASIN WITH PAVED GUTTER APRON



SECTION A-A



SECTION B-B



PLAN

Notes:
 Unless otherwise shown Details and Notes shall conform to Standard Drawing No. 1-8 C.B. 2-3 or 2-4.
 Dowels to be 1" round smooth bars 12" long, Spaced as shown.
 Cost of the 10' of Paved Gutter as shown in this detail shall be included in the unit bid for the Catch Basin.

Note:
 The two windows can be modified in accordance with this detail if called for on Plans.

Scale: 1/2" = 1'-0"

MICHAEL BAKER JR., CONSULTING ENGINEERS
 ROCHESTER, PENNSYLVANIA

STATE OF OHIO
 DEPARTMENT OF HIGHWAYS
 STATE HIGHWAY NO. 1-C-41 & C-42

MODIFIED No. 2-3 & No. 2-4 CATCH BASINS
 with MODIFIED TYPE I PAVED GUTTERS

Designed	Drawn	Traced	Checked	Reviewed Date	Revised
M.E.M.	L.S.I.	A.L.H.	L.S.I.		