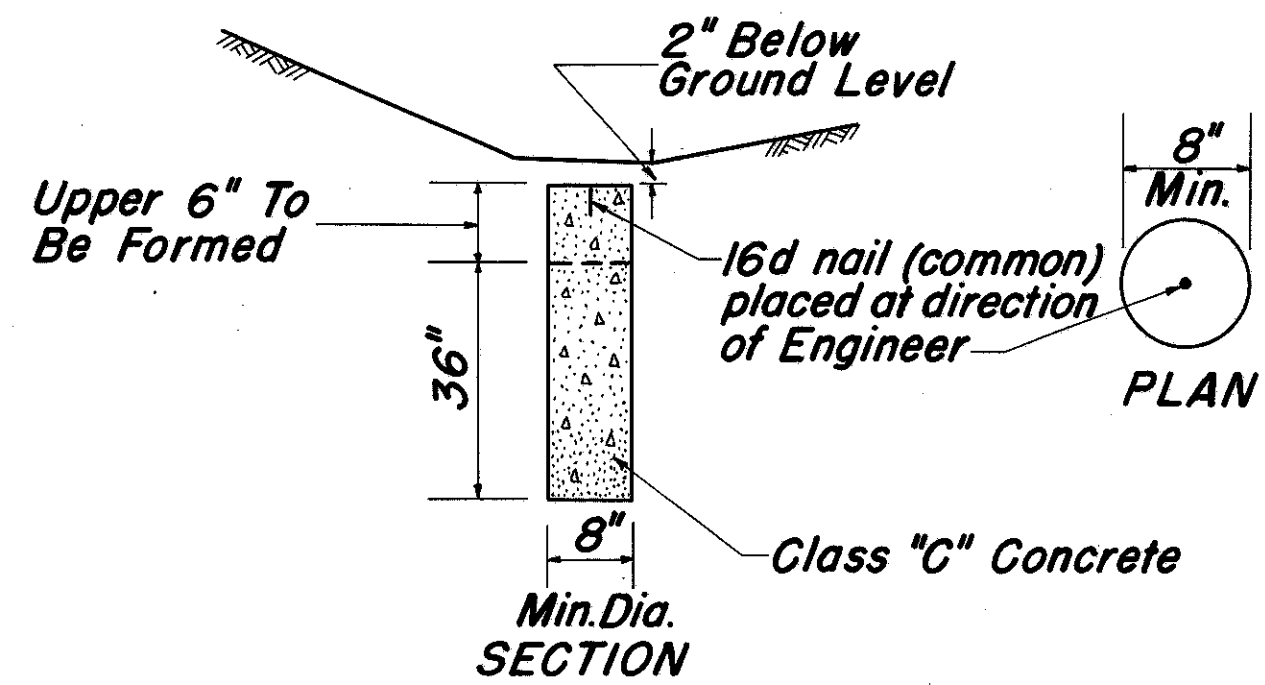
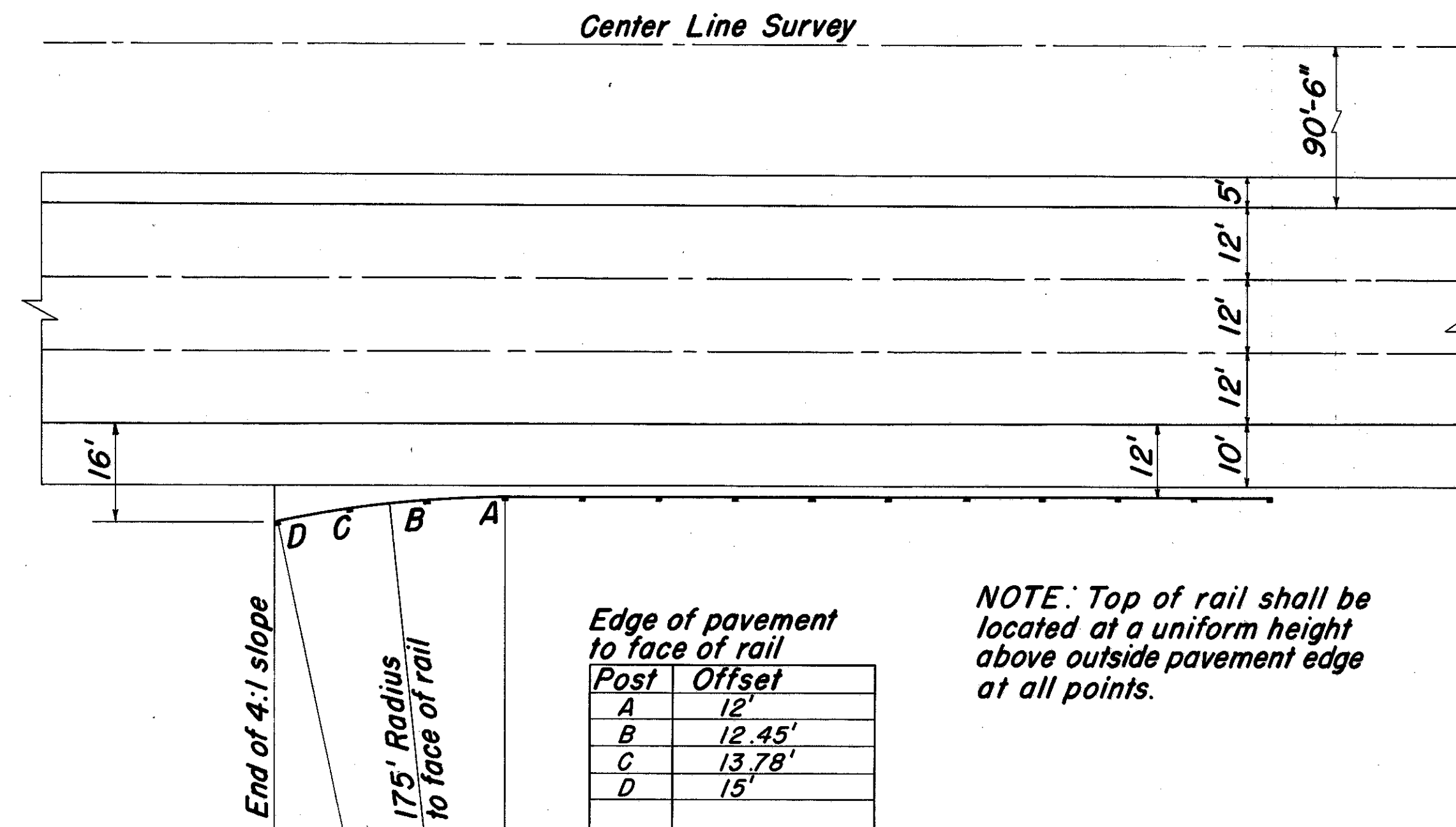


DETAIL OF CENTERLINE REFERENCE MONUMENTS



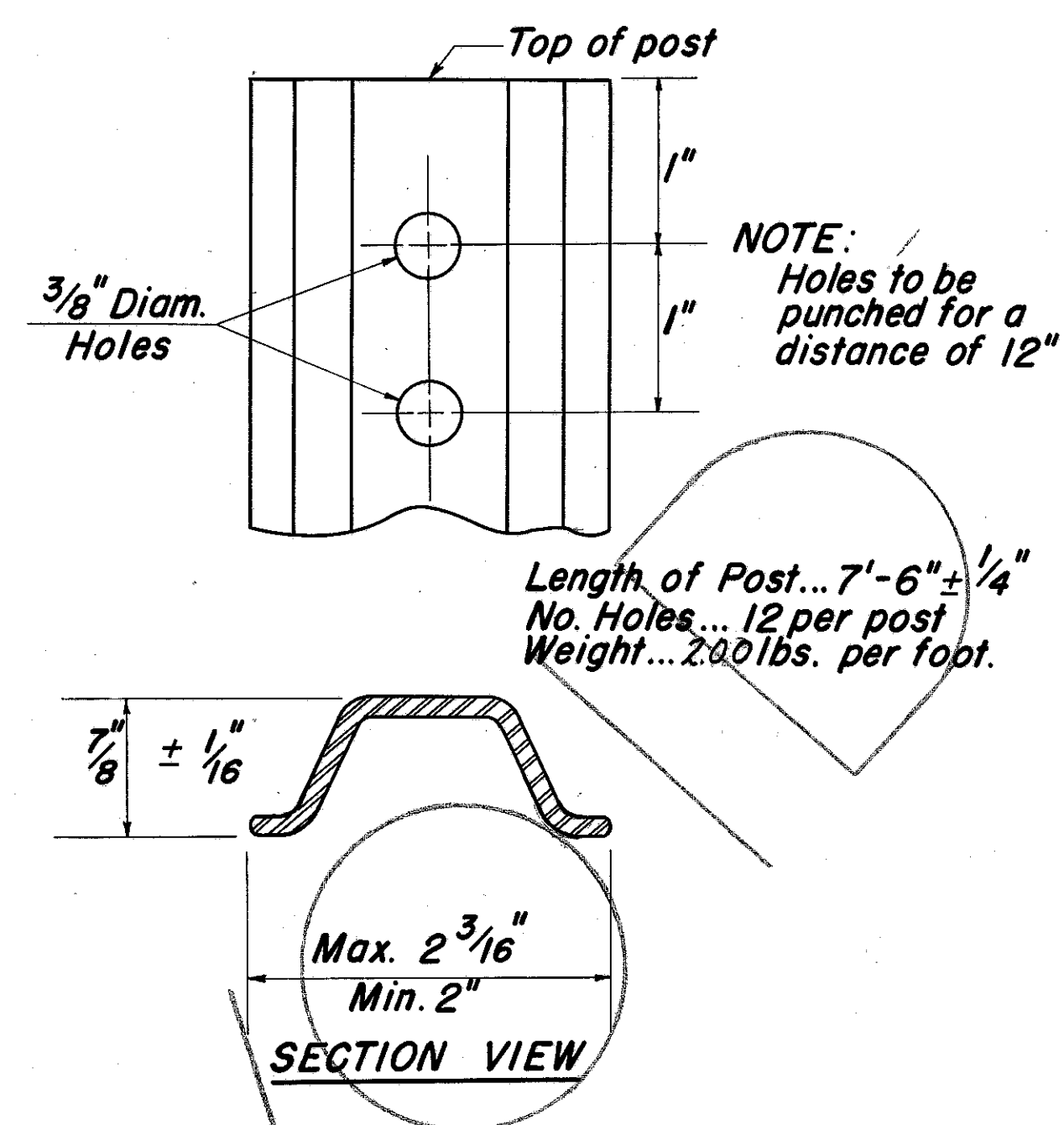
NOTE: Monuments to be placed by Contractor

STANDARD GUARD FLARE DETAIL

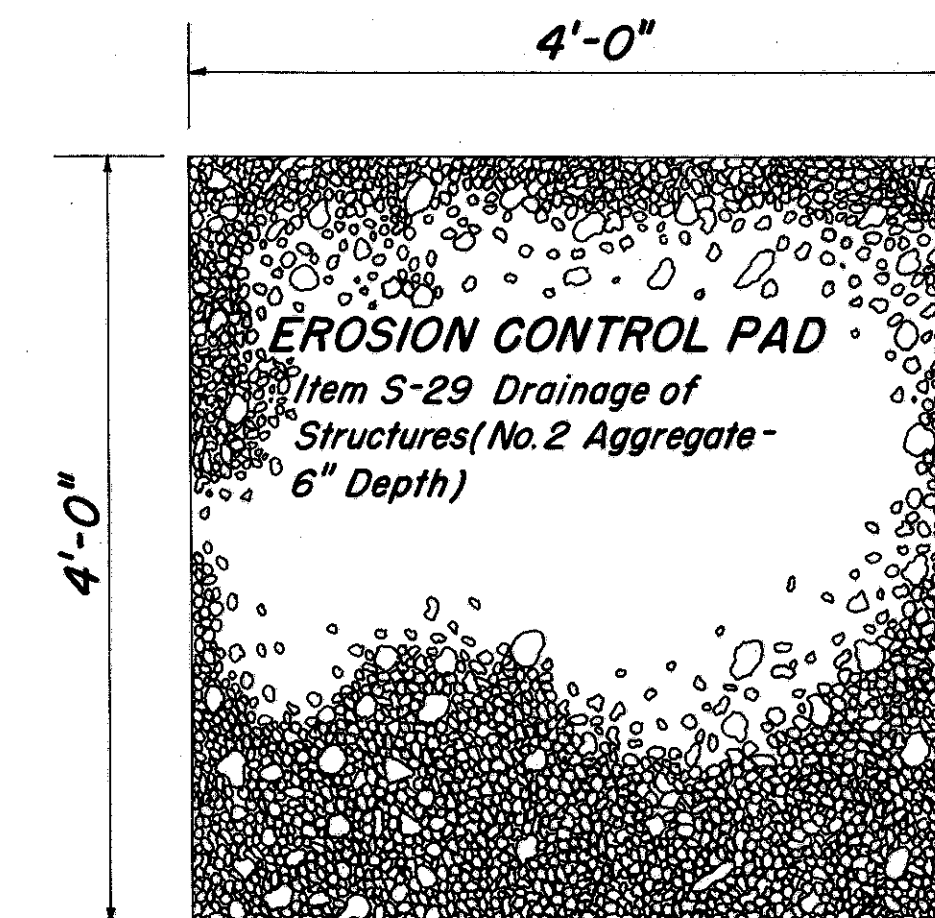
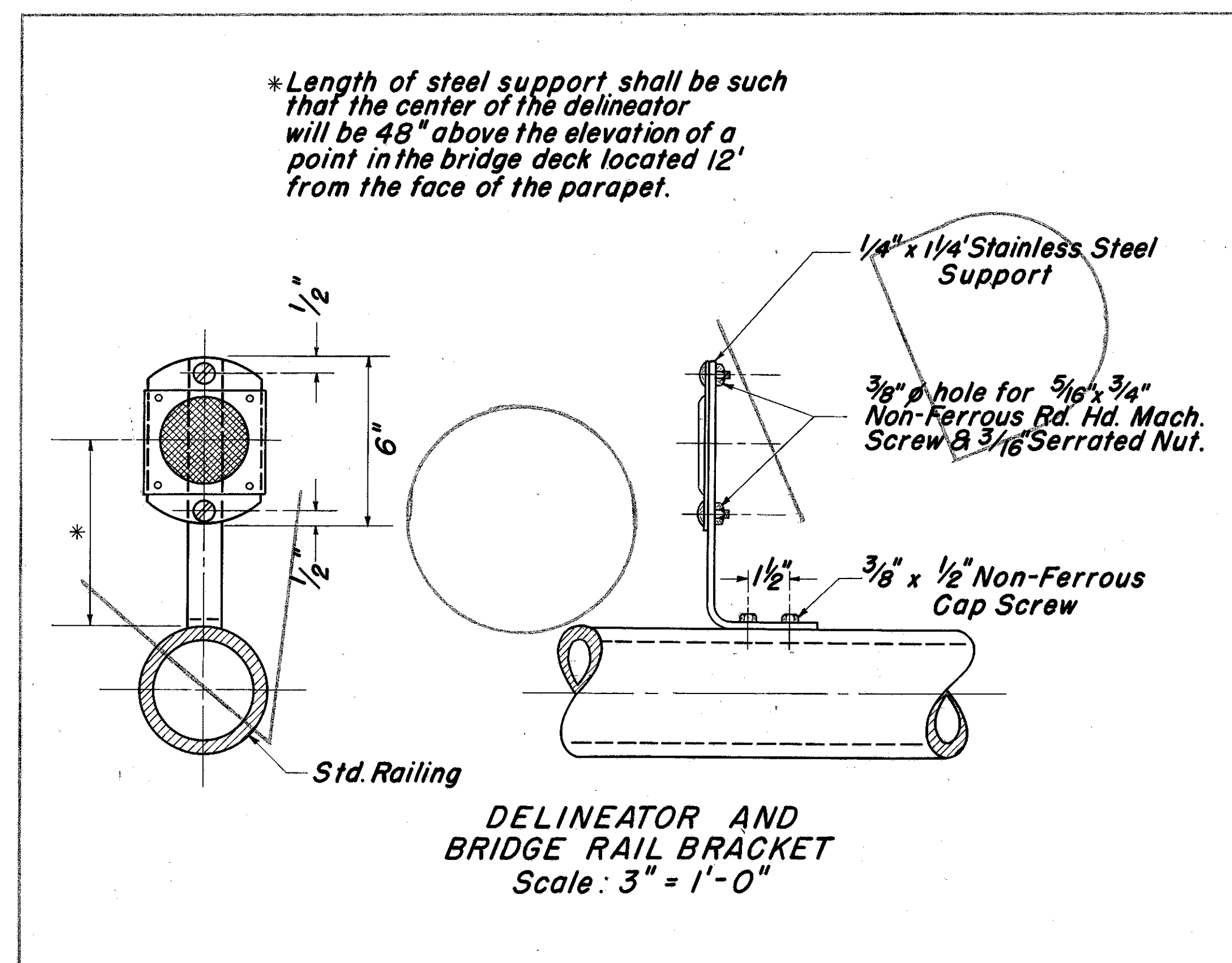


Scale: 1" = 20'

NOTE: For Details of Item I-127 Delineators, See Supplemental Specification I-127.



DETAIL OF STEEL DRIVE POST FOR DELINEATOR



EROSION CONTROL PAD

MICHAEL BAKER JR., CONSULTING ENGINEERS
ROCHESTER, PENNSYLVANIA

STATE OF OHIO
DEPARTMENT OF HIGHWAYS
STATE HIGHWAY NO. 1
C-41 & C-42
MISCELLANEOUS DETAILS

| | | | | | |
|----------|-------|--------|---------|---------------|---------|
| Designed | Drawn | Traced | Checked | Reviewed Date | Revised |
| B.P. | A.G. | P.W.M. | L.S.I. | | |