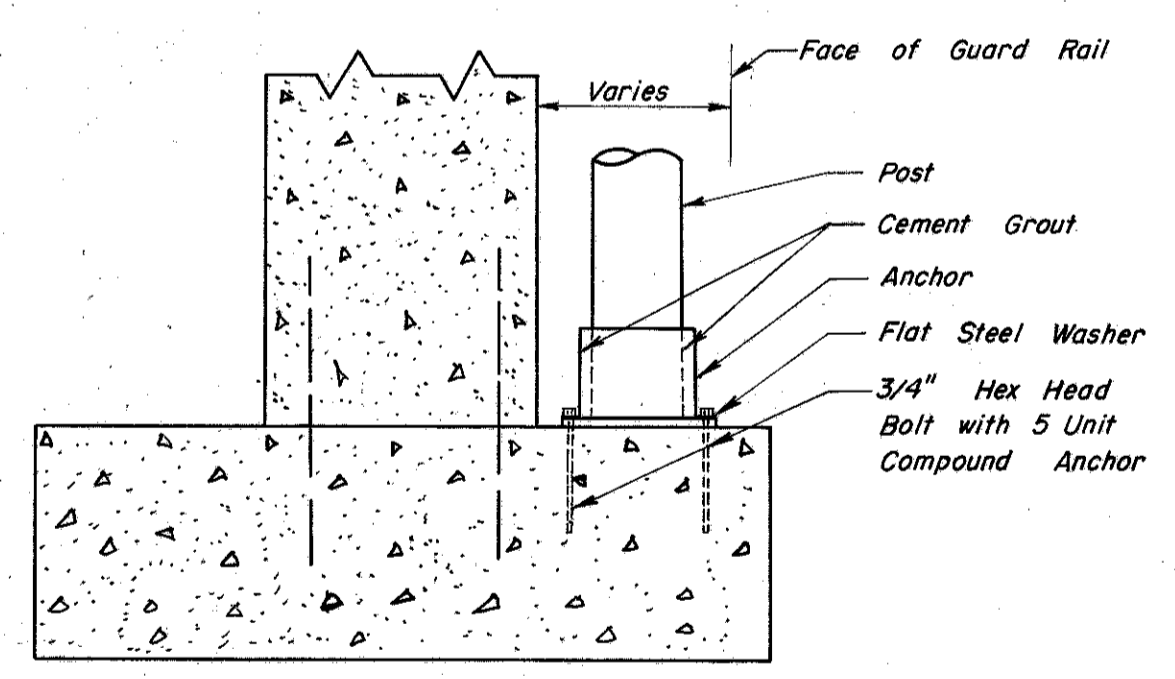


Scale: 1" = 30'

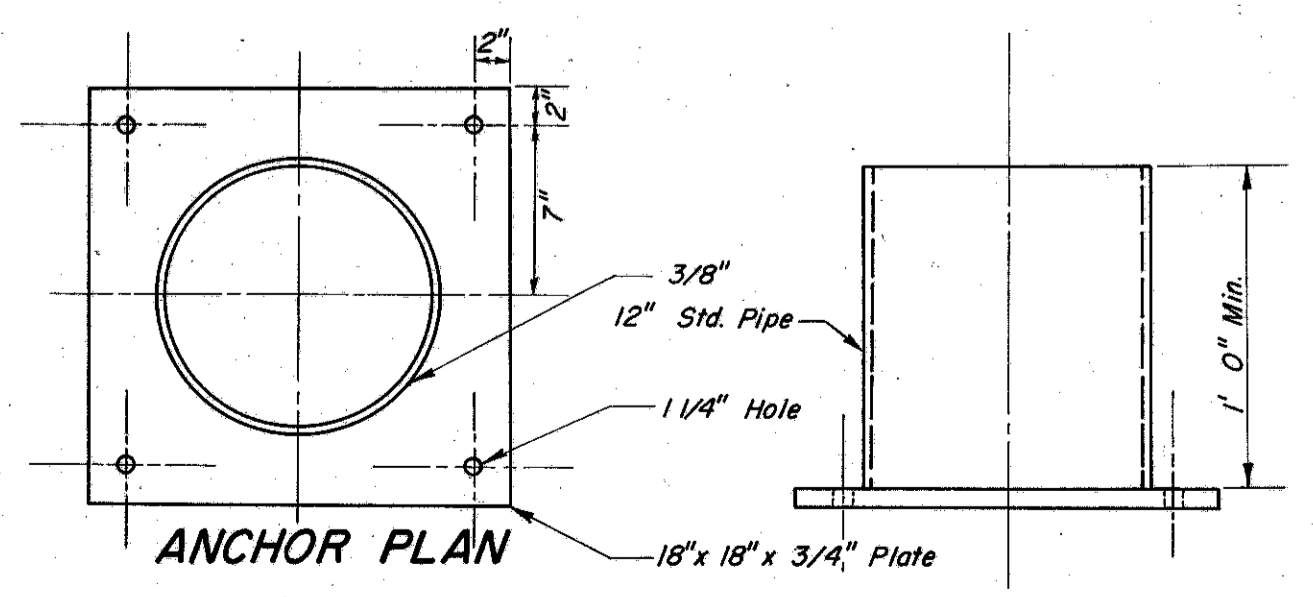
NOTE: Flares shown on outer guard rails should be used only if inslope is 8:1 or flatter. If inslope is steeper, use standard flares.

Guard rail, steel beam type (deep) in accordance with drawing 1-15 No. 2-A

GUARD RAIL POST ANCHOR TO PIER FOOTING

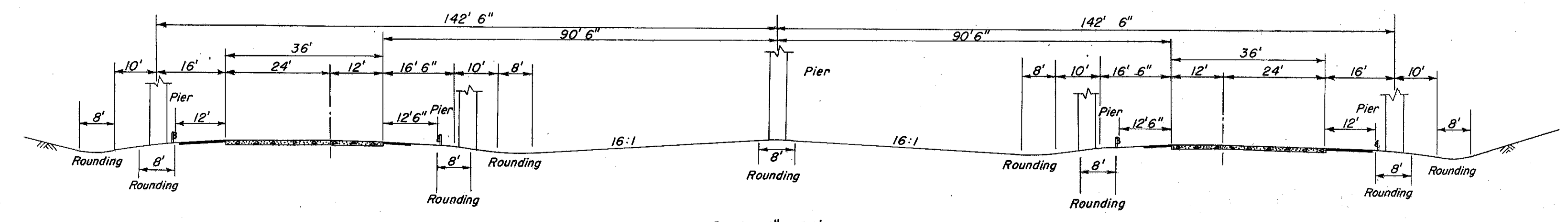


FOOTING SECTION VIEW



NOTE: Where posts fall over footings and less than 3'-0" of earth is provided above the top of footing, the above detail shall be used.

PIER PROTECTION PLAN



Scale: 1" = 20'

SECTION X-X

MICHAEL BAKER JR., CONSULTING ENGINEERS  
 ROCHESTER, PENNSYLVANIA  
 STATE OF OHIO  
 DEPARTMENT OF HIGHWAYS  
 STATE HIGHWAY NO. 1  
 C-41 & C-42  
 PIER PROTECTION DETAIL

Designed	Drawn	Traced	Checked	Reviewed Date	Revised
B.P.	AL.H.	M.L.G.	R.E.F.		