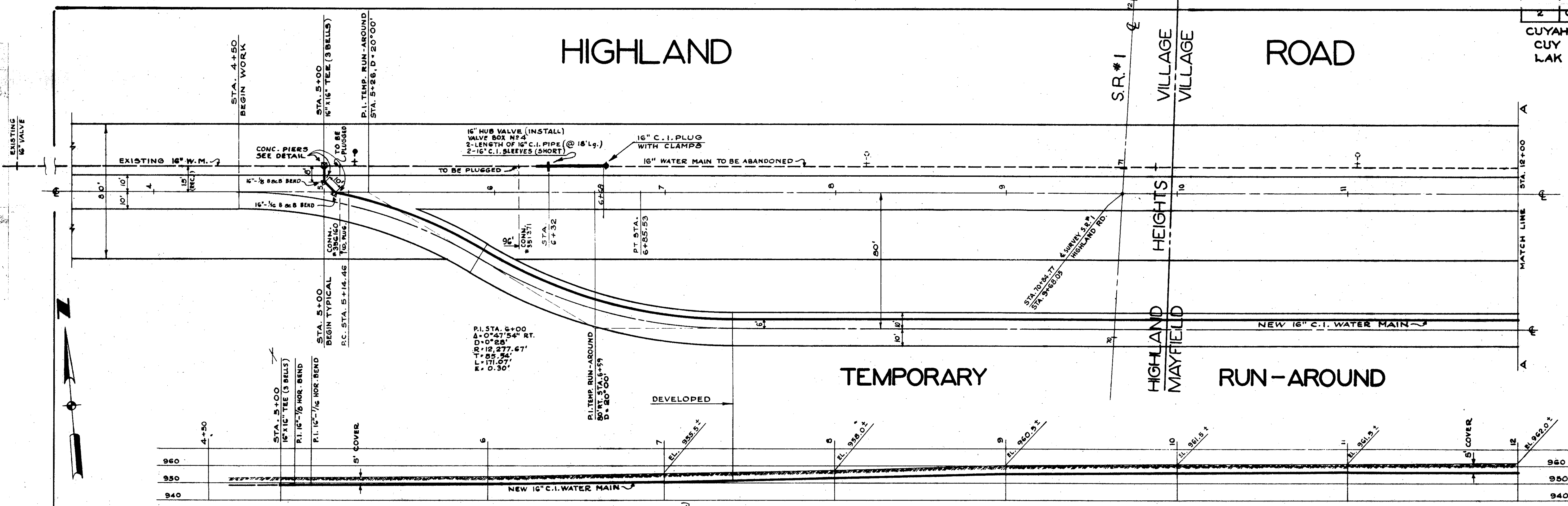


HIGHLAND

ROAD

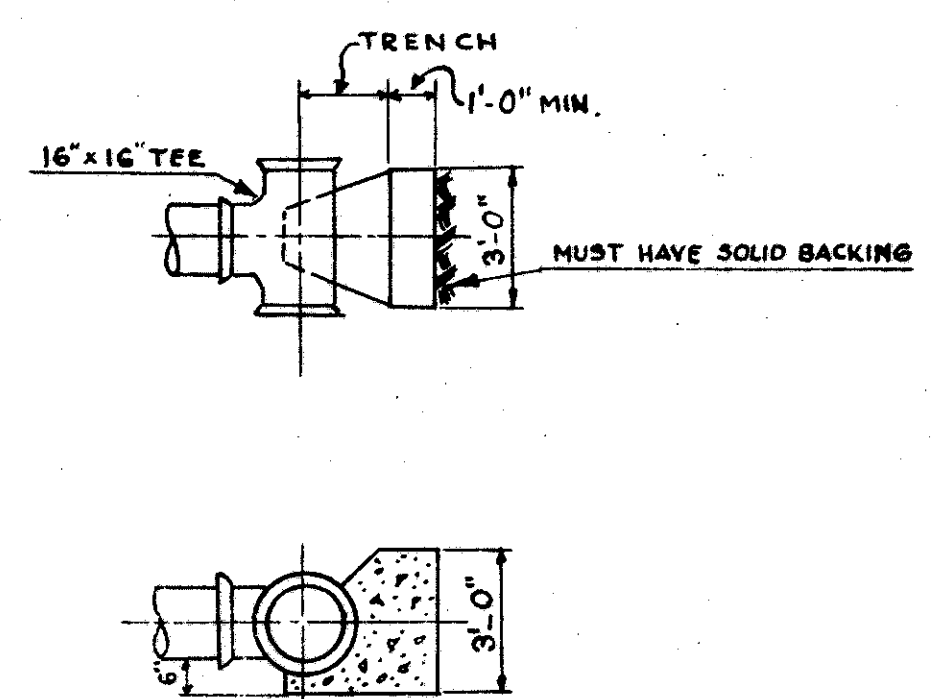
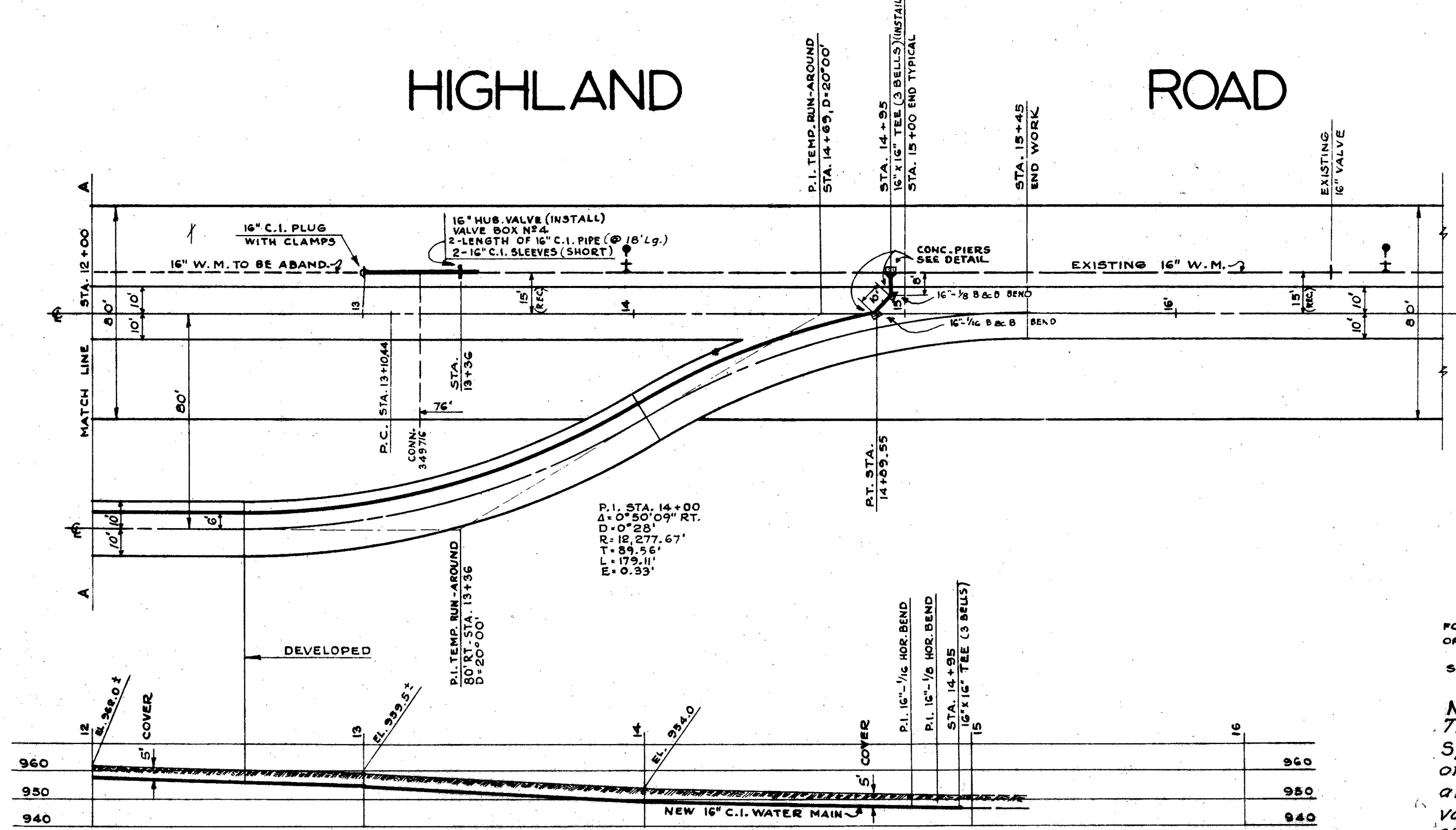


TEMPORARY

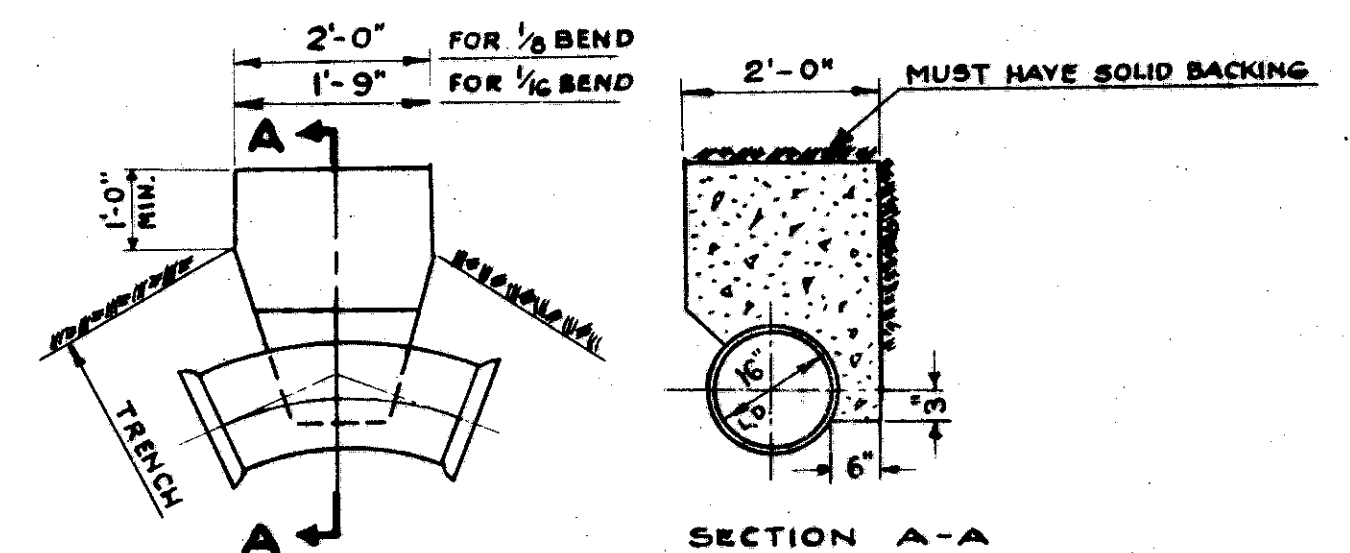
RUN-AROUND

HIGHLAND

ROAD



PIERS FOR 16x16 TEE



CONCRETE PIER FOR BENDS

NOTE

THE NEW 16"-C.I. WATER MAIN TO BE LAID WITH 5' COVER UNDER ESTABLISHED GRADE.
 SAND BACKFILL REQUIRED IN PAVEMENT.
 CORRECTNESS OF UNDERGROUND INFORMATION HEREON SHOWN IS NOT GUARANTEED AND MUST BE USED AT BIDDERS OWN RISK.
 TAPS FOR CHLORINATION TO BE PROVIDED AFTER WORK HAS BEGUN, SEE NOTE IN PROPOSAL.
 THE DIVISION OF WATER WILL DETERMINE THE LOCATION OF NECESSARY TAPS, SEE NOTE IN PROPOSAL.
 FOR 16" PERMANENT WATER MAIN SEE SHEET 239-B
 The Contractor shall notify the Villages of Highland Heights and Mayfield 48 hours in advance of any interruption in service of the 16" water mains. Service shall not be interrupted for more than 8 hours at any one time.

16" C.I. CLASS - 25 PIPE, CLASS 250 FITTINGS.
 ALL PIPE SHALL HAVE BELL & SPIGOT ENDS FOR CAST LEAD JOINTS, BOLTED MECHANICAL JOINTS, OR SLIP-ON TYPE JOINTS WITH COMPRESSED RUBBER RING INSERTS.
 ALL FITTINGS SHALL HAVE BELL & BELL AND SPIGOT ENDS WITH CAST LEAD JOINT.
 ALL PIPE AND FITTINGS TO BE CEMENT LINED.

NOTE:-
 The general provisions of Supplemental Specification I-124 shall govern the installation of the 16" water lines detailed on sheets 239-A and 239-B with additional specifications for hub valves, valve boxes, plugging service connections, chlorination and special services and provisions required by the City of Cleveland, Division of Water and Heat as indicated by note in the proposal.
 Sheet 239-B Added 9-15-60

16" C.I. TEMPORARY WATER MAIN
 HIGHLAND ROAD.

SCALE
 1" = 30'
 No. B-1604