

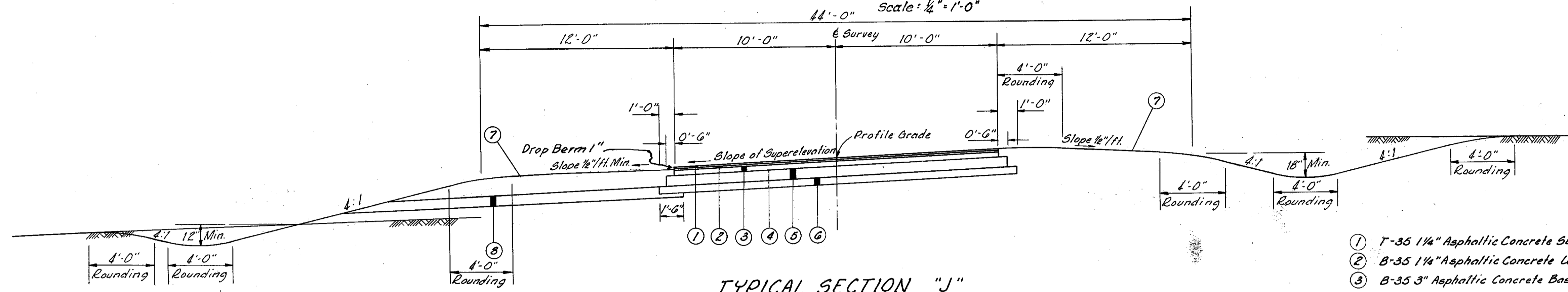
TYPICAL SECTIONS

TYPE T-35 on B-19

FED. RD. DIVISION	STATE	PROJECT
2	OHIO	I-1103 (18)

2
458

CUYAHOGA & LAKE COUNTIES
 CUY-I-15.91
 LAK-I-0.00

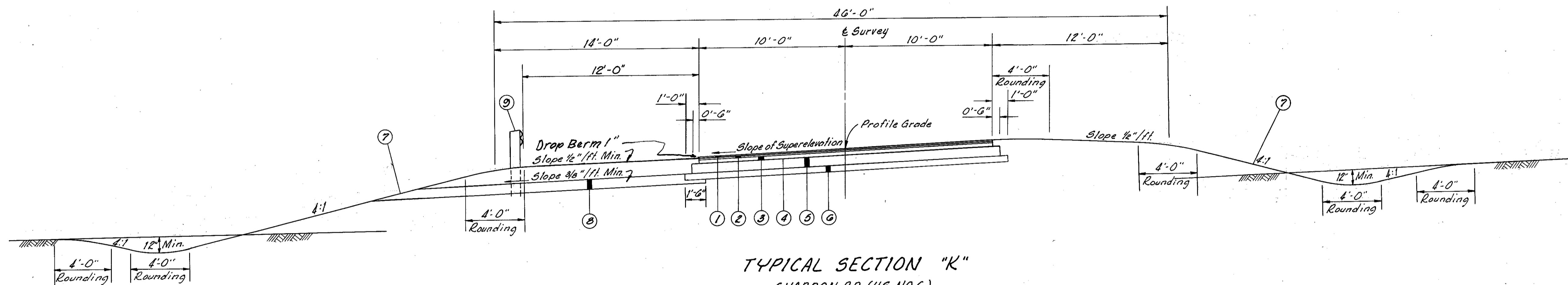


TYPICAL SECTION "J"

CHARDON RD. (U.S. NO. 6)

Limiting Stations:
 Sta. 11115 to Sta. 12175 = 160.00 Lin. Ft.
 Sta. 14100 to Sta. 15156.01 = 156.01 Lin. Ft.
 Sta. 21140 to Sta. 21158.31 = 318.31 Lin. Ft.
 Total: 634.32 Lin. Ft.

- ① T-35 1 1/4" Asphaltic Concrete Surface Course, Type "C" (70-85)
- ② B-35 1 1/4" Asphaltic Concrete Leveling Course, (70-85)
- ③ B-35 3" Asphaltic Concrete Base Course, (70-85)
- ④ T-30 Bituminous Prime Coat Sec. M-5.7, RT-2 or RT-3, applied at the rate of 0.40 Gallon per Sq. Yard.
- ⑤ B-19 8" Aggregate Base Course
- ⑥ I-22 5" Subbase, Grading A or B, as per plan
- ⑦ L-9 Seeding & Protecting
- ⑧ I-9 Stone Underdrain (No. 2) Staggered of 50' intervals as directed by the Engineer
- ⑨ I-15 Guard Rail, Steel Beam Standard Type (Deep)

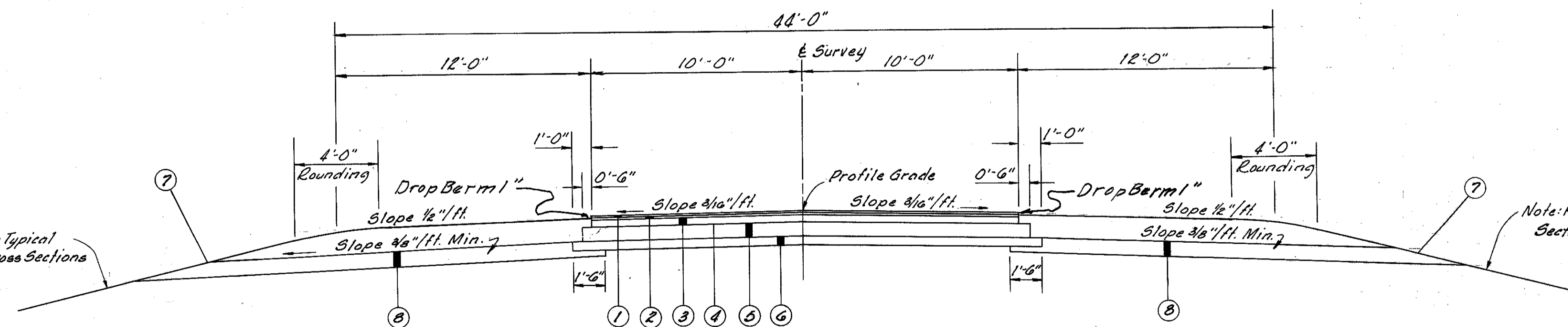


TYPICAL SECTION "K"

CHARDON RD. (U.S. NO. 6)

Limiting Stations:
 Sta. 12175 to Sta. 14100 = 125.00 Lin. Ft.

Note: For Slopes see Typical Sections "J", "K" & Cross Sections



TYPICAL SECTION "L"

CHARDON RD. (U.S. NO. 6)

Limiting Stations:
 Sta. 15156.01 to Sta. 21140 = 583.99 Lin. Ft.
 Sta. 24158.31 to Sta. 25100 = 41.69 Lin. Ft.
 Deduct for Bridge 341.55 Lin. Ft.
 Total: 84.13 Lin. Ft.

Note: For Slopes see Typical Sections "J", "K" & Cross Sections

MICHAEL BAKER JR., CONSULTING ENGINEERS
 ROCHESTER, PENNSYLVANIA

STATE OF OHIO
 DEPARTMENT OF HIGHWAYS
 STATE HIGHWAY NO. 1
 C-42

TYPICAL SECTIONS

Designed	Drawn	Traced	Checked	Reviewed Date	Revised
W.T.P.	ALH	K.L.G.	E.C.		