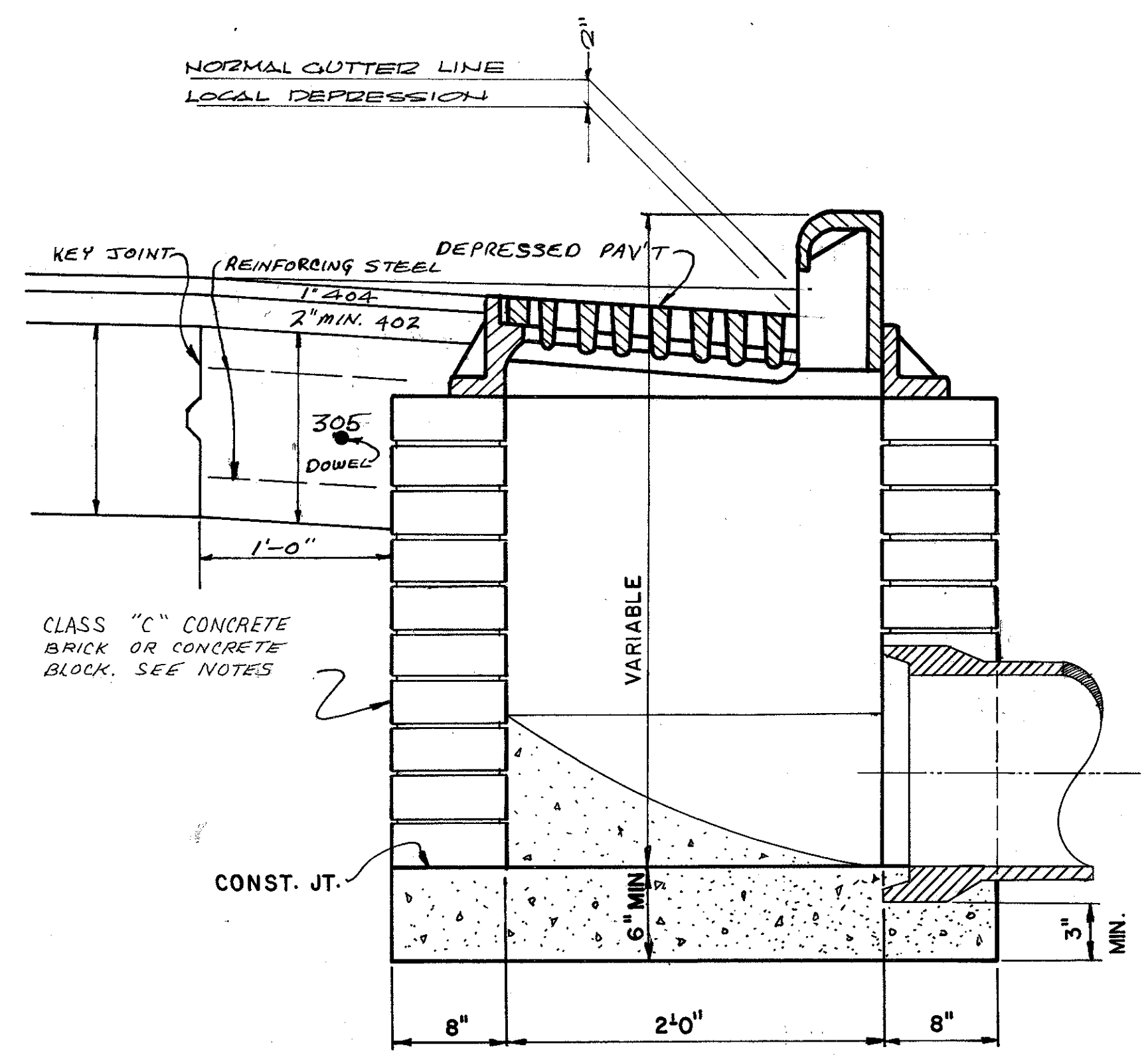
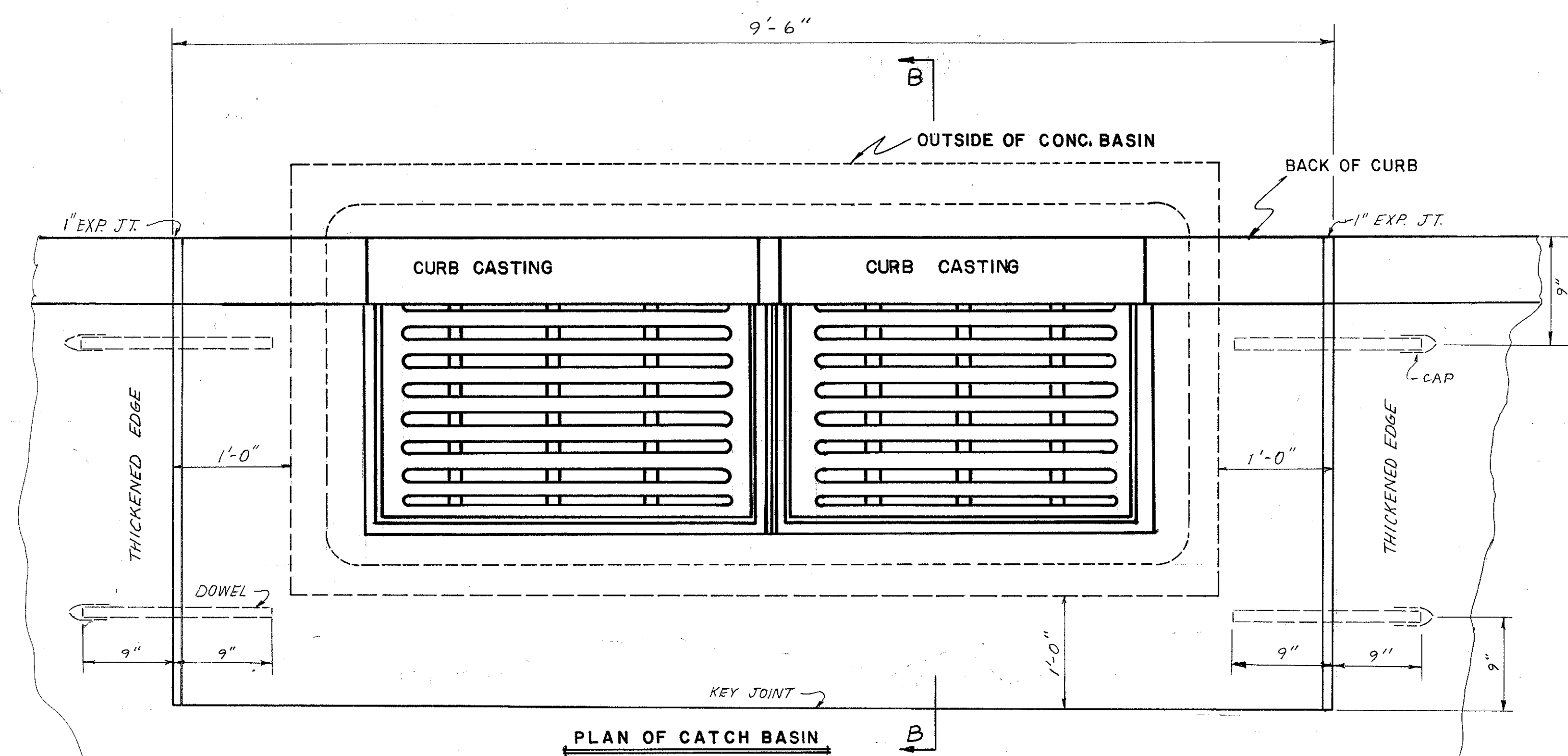


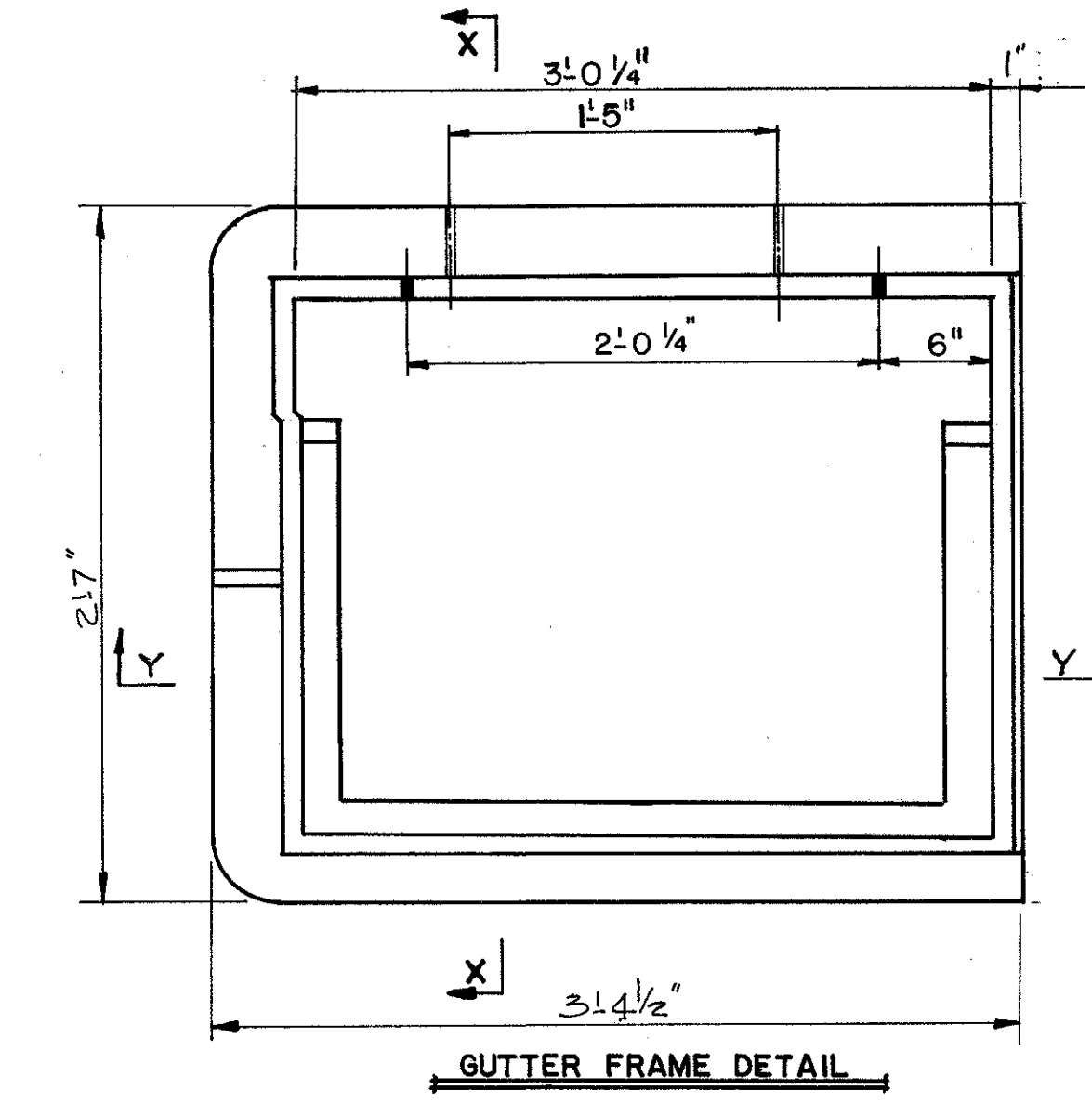
SECTION A-A



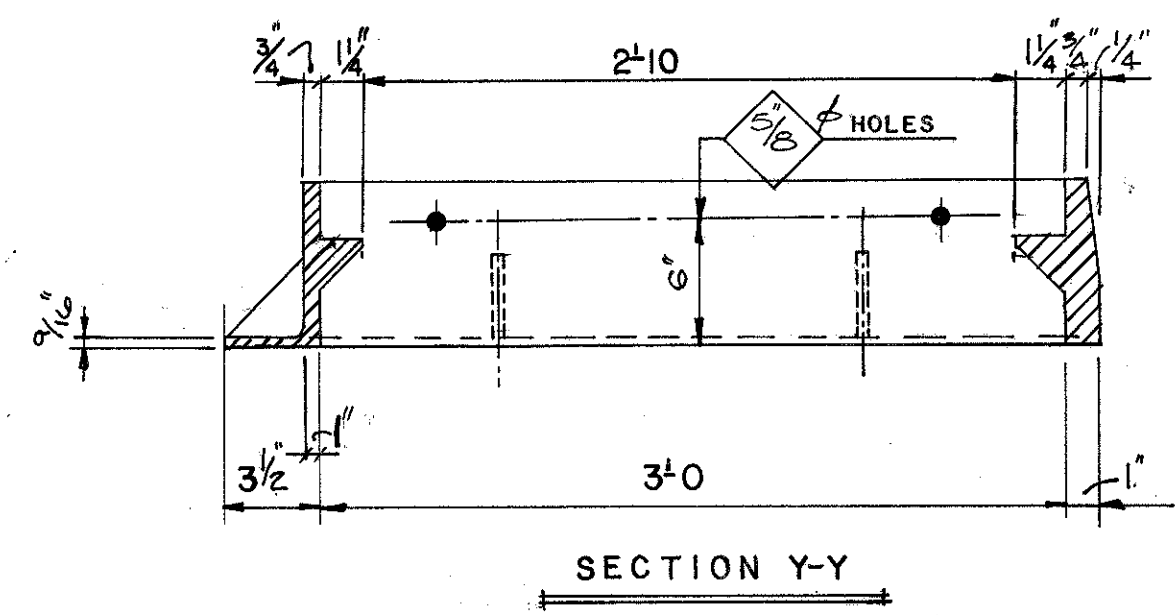
SECTION B-B



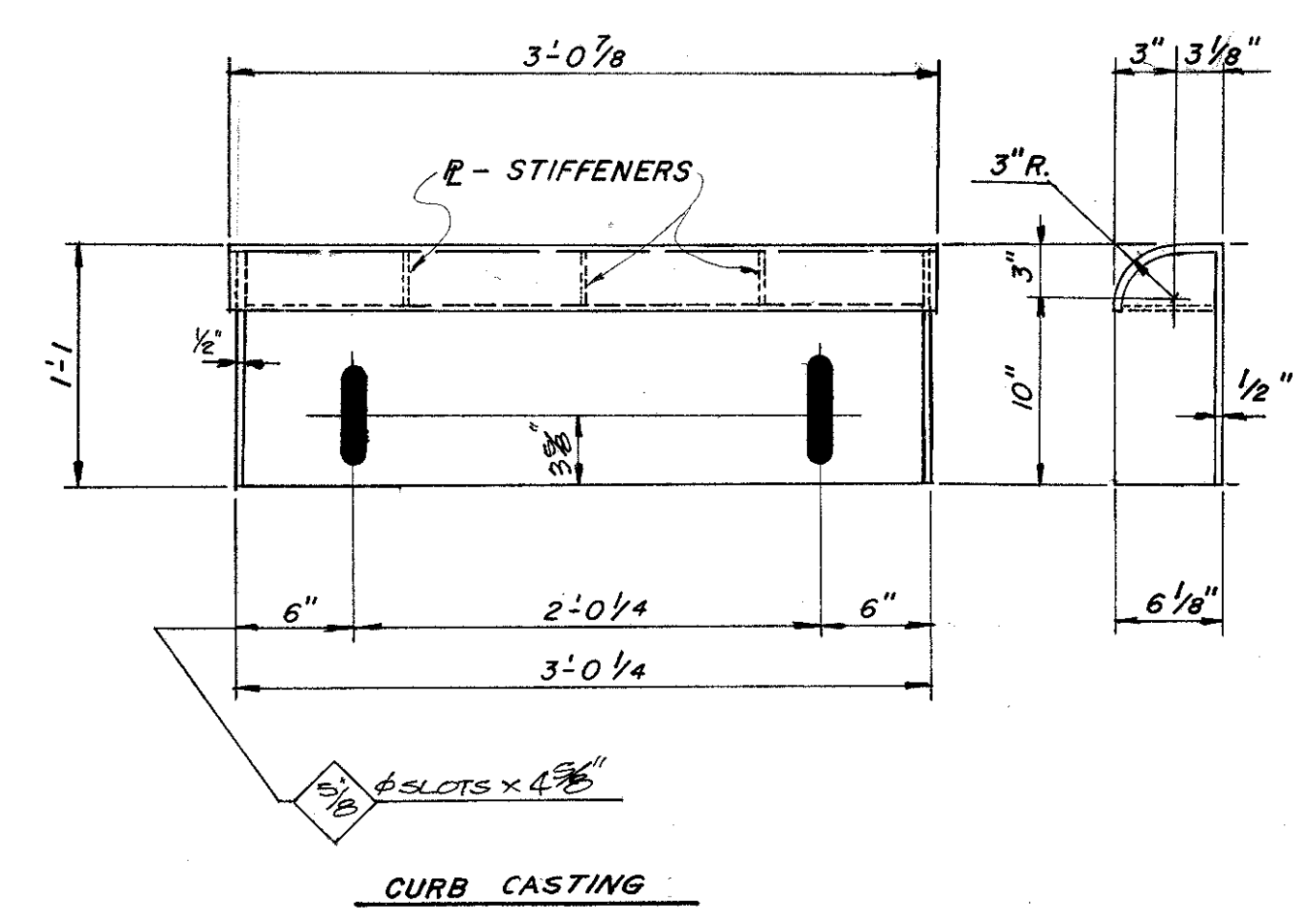
PLAN OF CATCH BASIN



GUTTER FRAME DETAIL



SECTION Y-Y



CURB CASTING

GRATE  
FOR GRATE DIMENSIONS SEE GRATE PLAN,  
"DETAIL A - SINGLE INLET", SHEET N° 23

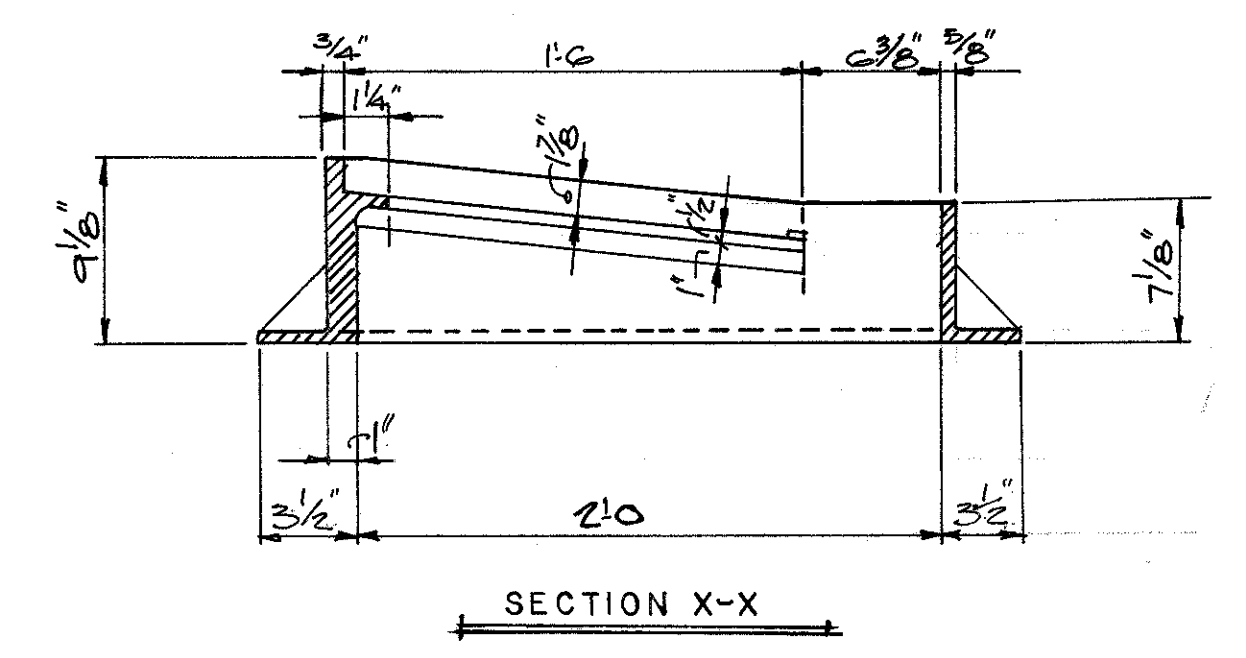
CASTINGS SHALL MEET THE REQUIREMENTS OF ITEM 604. THE DESIGN SHALL BE ESSENTIALLY THE SAME AND EQUALLY AS STRONG AS THOSE SHOWN HEREON.  
WEIGHTS, MINIMUM  
CURB CASTING (EACH) 100 POUNDS  
GUTTER GRATE (EACH) 200 POUNDS  
GUTTER FRAME (EACH) 300 POUNDS

BEARING AREAS OF FRAME AND GRATE SHALL BE SO FITTED AND FINISHED AS TO PROVIDE A FIRM AND EVEN SEAT FOR ALL PORTIONS OF THE GRATE IN THE FRAME. NO PROJECTIONS SHALL EXIST ON BEARING AREAS OF EITHER CASTING AND THE GRATE SHALL SIT IN ITS FRAME WITHOUT ROCKING. FRAME AND GRATE SHALL BE FITTED, MATCHED AND MARKED BEFORE DELIVERY TO THE PROJECT.  
DOWELS TO BE 1 INCH ROUND, SMOOTH BARS 18 INCHES LONG AND SPACED AS SHOWN HEREON AND GREASED.

CONCRETE CAST IN PLACE TO BE CLASS "C" BRICK OR CONCRETE BLOCK SIDEWALLS, WHEN USED IN PLACE OF CONCRETE, SHALL BE 8 INCHES MINIMUM IN THICKNESS.  
PAVEMENT: THE PORTION BLOCKED OUT OF THE PAVEMENT SHALL BE PLACED AFTER THE CASTING HAS BEEN SET BUT SHALL BE PAID FOR AS PART OF THE PAVEMENT.

EXPANSION JOINT: THE 1 INCH EXPANSION MATERIAL SHALL BE OMITTED WHEN ASPHALT CONCRETE SURFACE IS PART OF THE PAVEMENT.

GRATE AND COVER SHALL CONFORM TO EAST JORDAN N° 7036 w/ MPM GRATE AND TYPE 1 BACK OF NEENAH R 3246 CD2 DUAL OR APPROVED EQUIVALENT.



SECTION X-X

DETAIL B - DOUBLE INLET