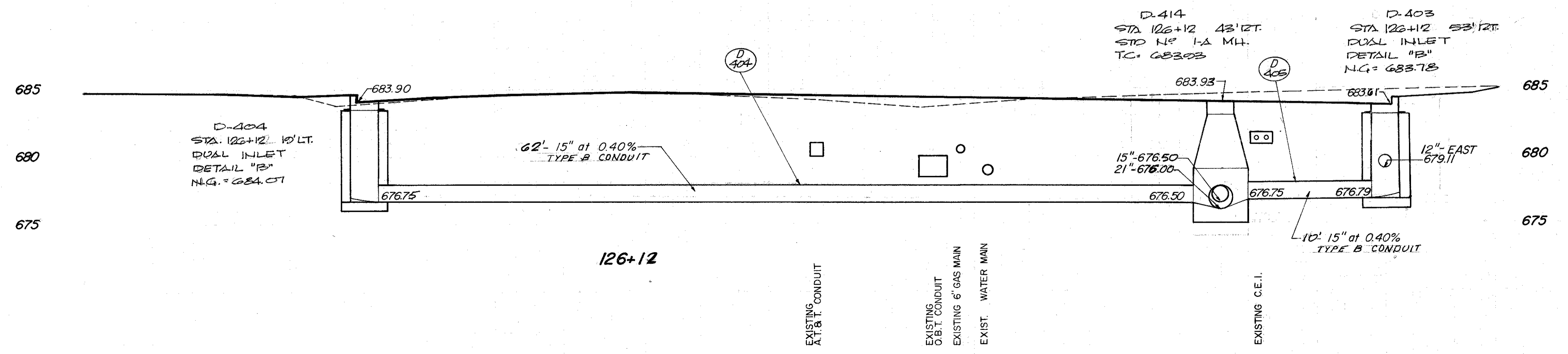
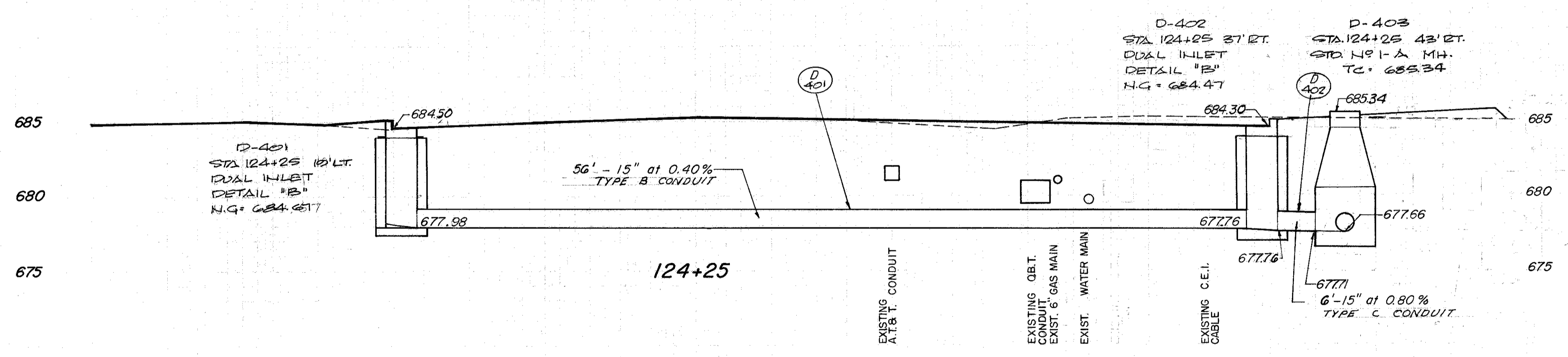
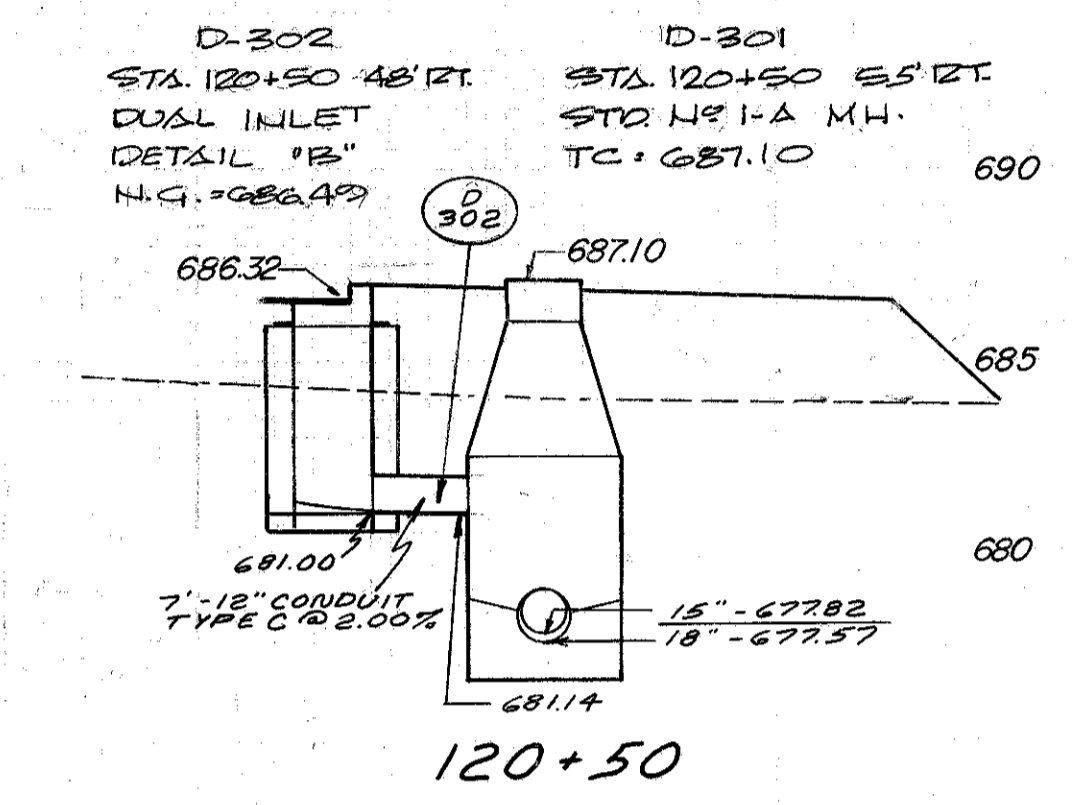
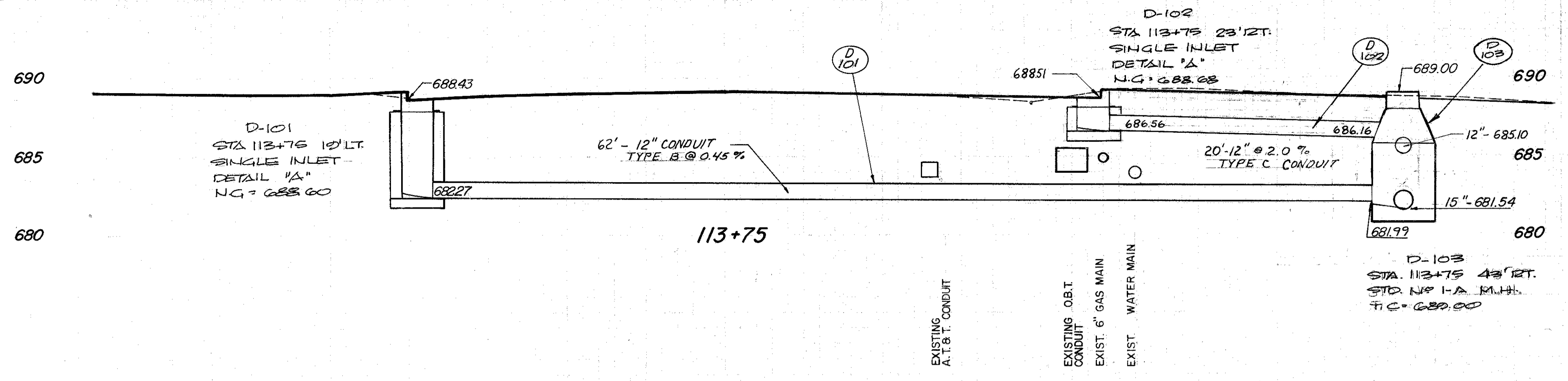


40 30 20 10 0 10 20 30 40 50

FED. RD. DIVISION	STATE	PROJECT
5	OHIO	

21
52

LAKE COUNTY
LAK-20-7.92
ISSUE 1



DEBEVEC - SALO & ASSOCIATES, INC.