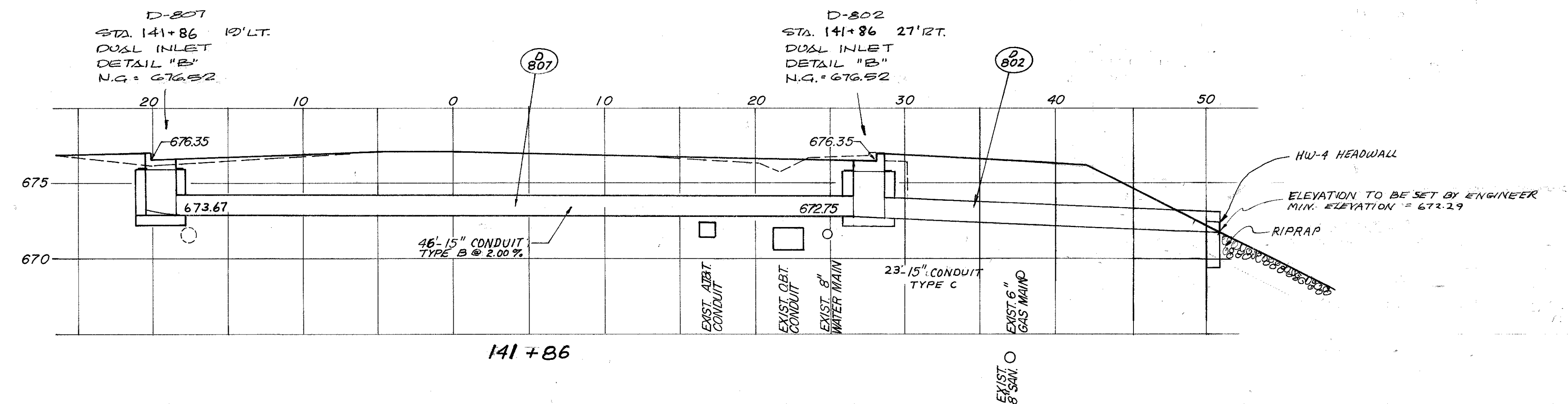
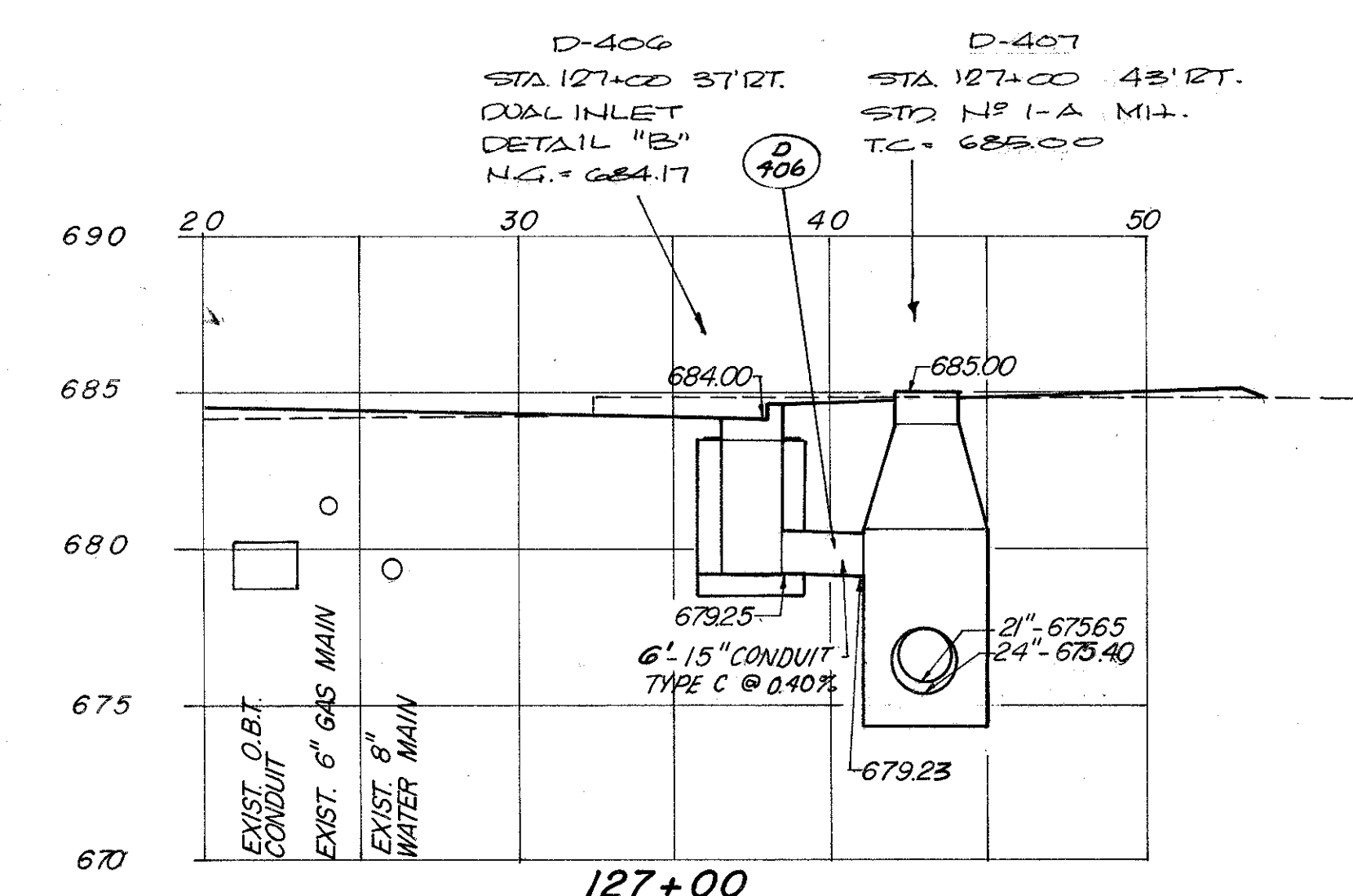
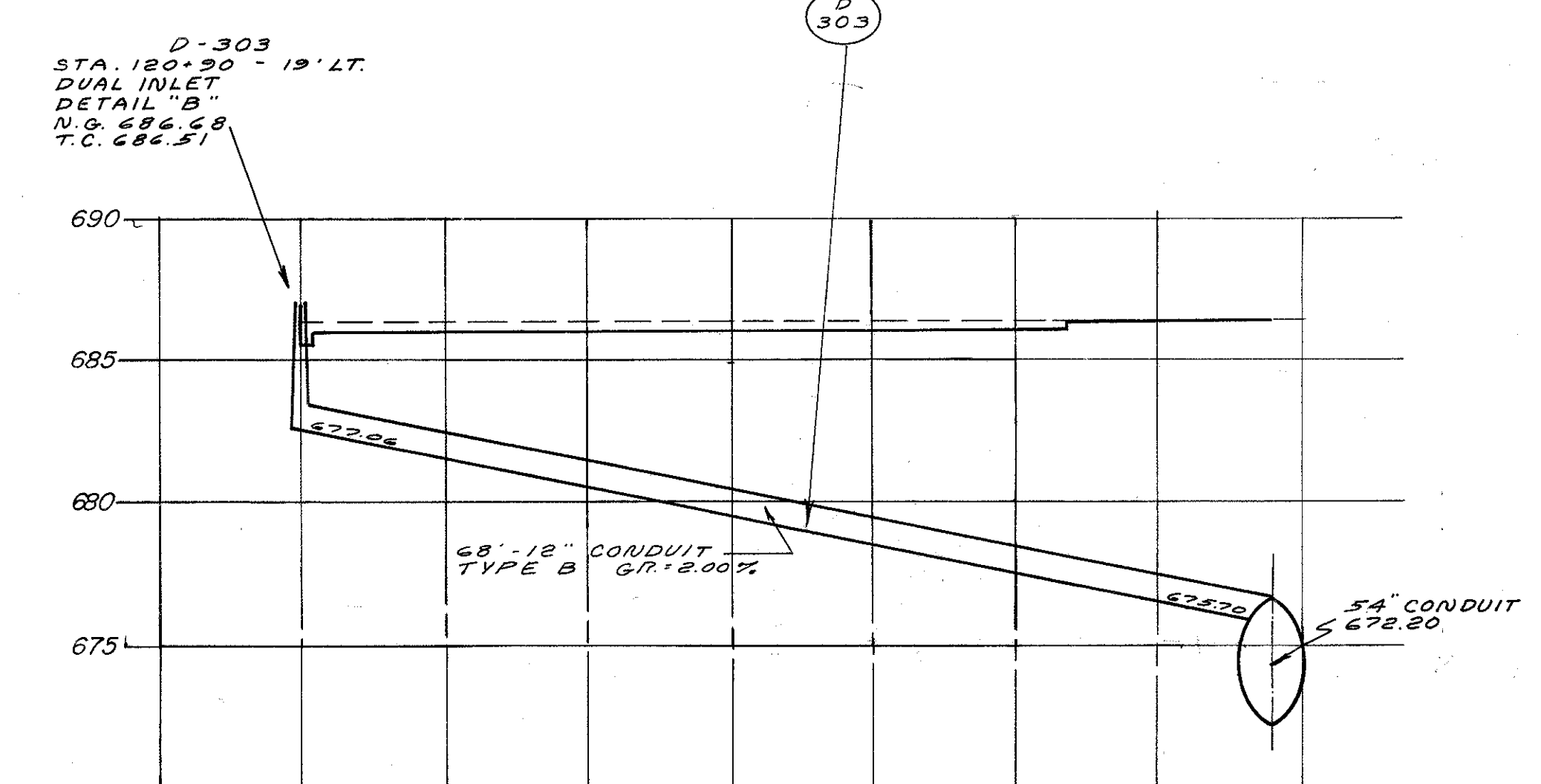
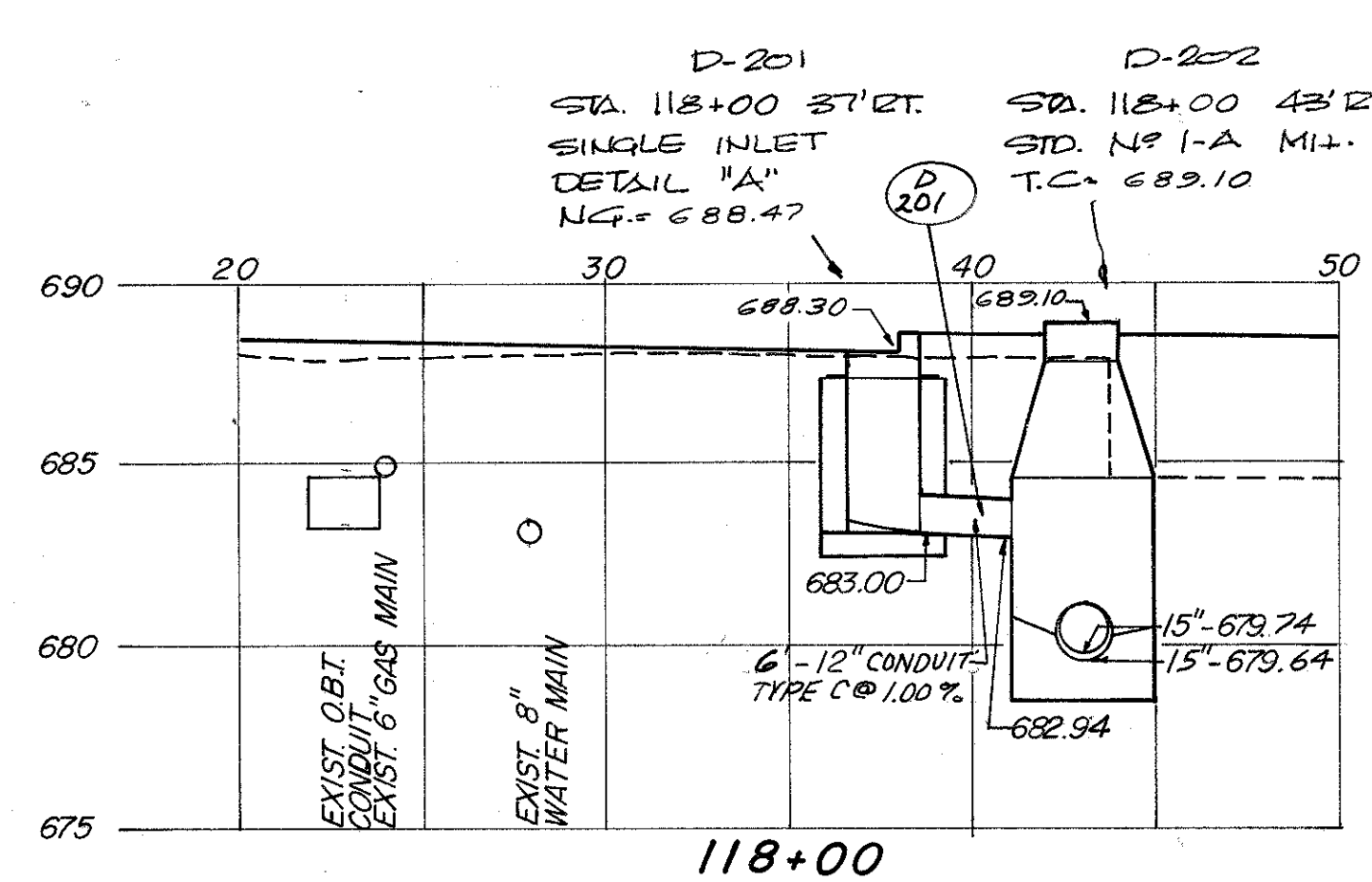
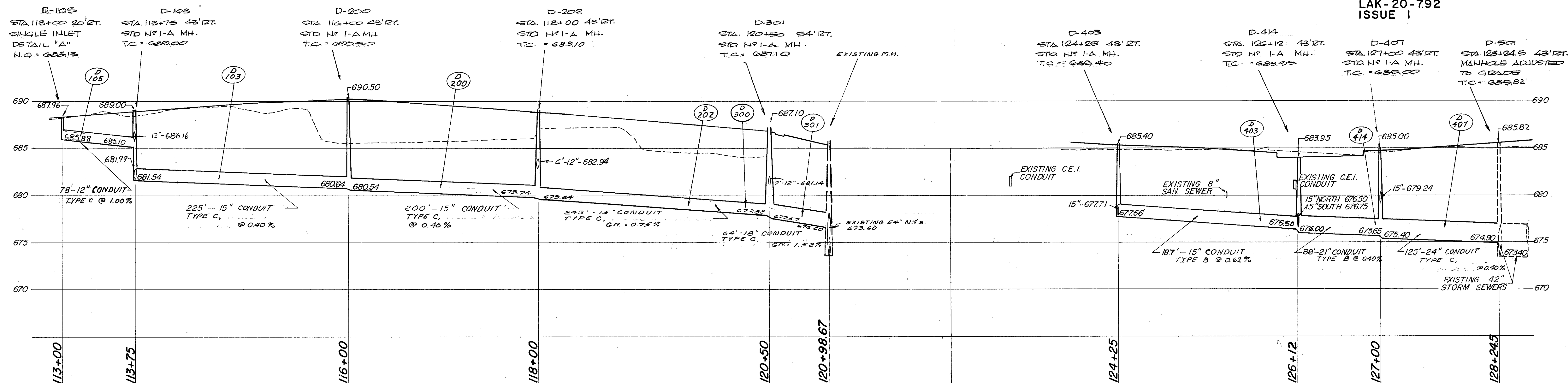


LAKE COUNTY  
LAK-20-792  
ISSUE 1



DEBEVEC. SALO & ASSOCIATES, INC.