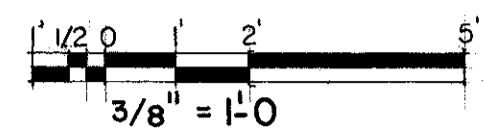
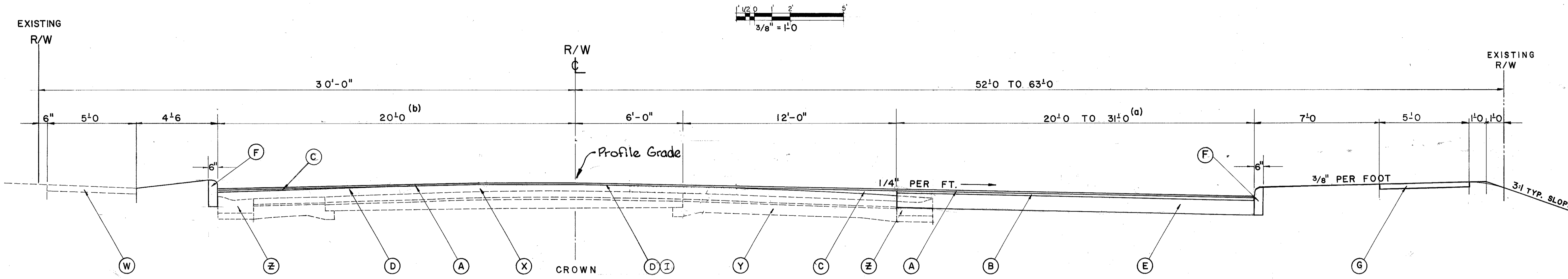


TYPICAL SECTION TYPE 404

FED. RD. DIVISION	STATE	PROJECT
5	OHIO	

B
52

LAKE COUNTY
LAK-20-792
ISSUE 1

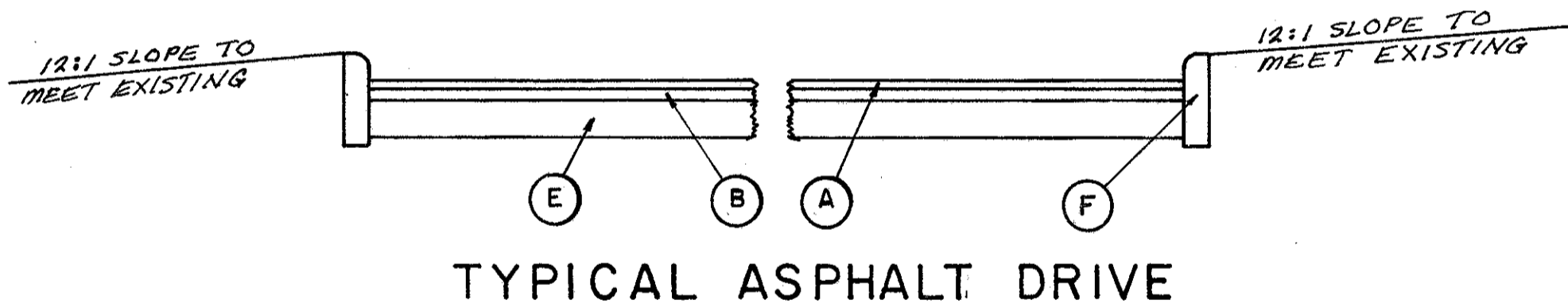


TYPICAL SECTION

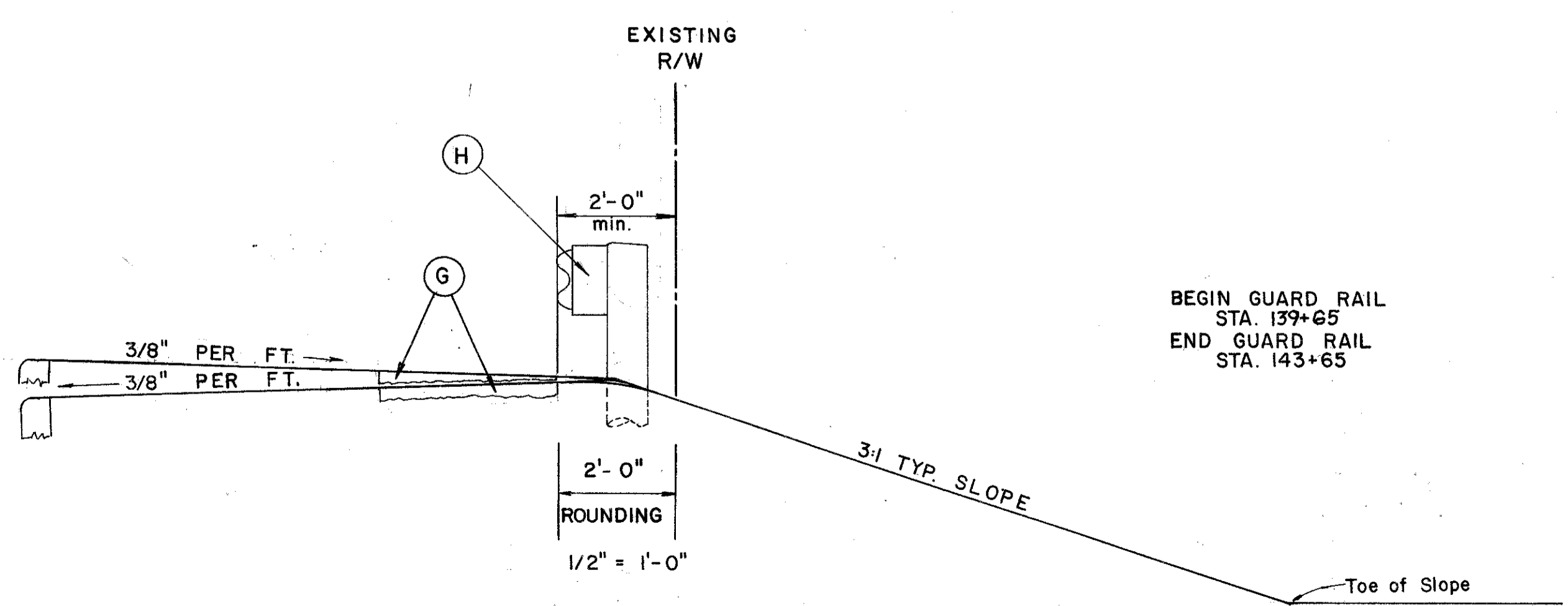
NOTE:
TYPICAL SECTIONS ARE INTENDED TO SHOW THE GENERAL ROADWAY AND PAVEMENT FEATURES ONLY. FOR FURTHER DETAILS SEE REMAINING TYPICALS, EXTRA AREA DETAILS, PLAN AND PROFILES, AND CROSS SECTION SHEETS.

- (a) TAPERS FROM:
2'-0" TO 20'-0" FROM STA. 112+60 TO STA. 118+00 - Right
FROM STA. 139+25 TO STA. 144+40.45 - Right
VARIES FOR RIGHT TURN LANE FROM:
20'-0" TO 31'-0" FROM STA. 119+30 TO STA. 120+30 - Right
FROM STA. 134+80 TO STA. 135+80 - Right
- (b) VARIES FOR RIGHT TURN LANE FROM:
20'-0" TO 29'-0" FROM STA. 139+52 TO STA. 140+00 - Left

Cross Sections shall govern over Typical Section where variable conditions are encountered in the slopes.



TYPICAL ASPHALT DRIVE



TYPICAL SHOULDER SECTION

LEGEND

- | | | |
|-----|---|---|
| (A) | Item 404 | 1" Asphalt Concrete (60-70 or AC-20) |
| (B) | Item 402 | 2" Asphalt Concrete Leveling Course (60-70 or AC-20) |
| (C) | Item 403 | Asphalt Concrete Preleveling Course (60-70 or AC-20) |
| (D) | Item 407 | Tack Coat, (at 0.1 Gal. per Sq. Yd.), 702.04, MS-2 or RS-1; or 702.02, RC-70 or RC250 |
| (E) | Item 301 | 8" Bituminous Aggregate Base 702.01, (85-100 or AC-20), or 702.09, RT-II or RT-12 |
| (F) | Item 609 | Curb, Standard Type 6 |
| (G) | Item 608 | 4" Concrete Walk |
| (H) | Item 606 | Guard Rail, Type 5 |
| (I) | Item 407 | Cover Aggregate |
| (W) | Existing Walk (TO REMAIN) | |
| (X) | Existing 4" Asphalt Wearing Course | |
| (Y) | Existing Brick Pavement and Concrete Base | |
| (Z) | Existing 2'-0" x 10" Concrete Gutter [REMOVE RIGHT (SOUTH) SIDE ONLY] | |

DEBEVEC, SALO & ASSOCIATES, INC.