

CONSTRUCTION METHODS

NOTES

BARRELLING OUT ROADWAY CULVERTS:
When necessary that the pipe be barrelled out to the required lengths, it shall be done according to the details shown hereon.

GRADE STAKES:
Grade stakes shall be set at the following intervals:
For grades less than 0.70% - 25'
For grades of 0.70% and over - 50'

GRADE POLE:
The grade pole shall be a straight pole dressed with corners rounded, size depending on the length but approximately 1"x2". The pole shall be equipped with a metal bracket on the bottom with a projecting length of 12". Notches shall be cut on the pole for the depth of the flow line below the grade string and for the depth of trench. A spirit level shall be used on the pole to determine when the pole is vertical.

POSSUM:
The possum or swab is for wiping out any excess mortar from the inside of the pipe and shall be made and used as follows: - The stem is 1"x1"x6'-0" and made of strong wood. The burlap sack shall be filled around the stem in such a manner so that the stem will remain practically central when the swab is in the pipe and the stem is unsupported. The swab, when pulled ahead, shall drag the entire circumference of the pipe so that any mortar which has entered at the joints will be dragged ahead. The length of the stem shall be such that the swab will not pass a joint where the backfill has not been tamped. After every tenth pipe layed, the swab shall be removed and cleaned.

PIPE JOINTS:
When the construction item calls for sealed joints, they shall conform to the appropriate details shown for pipe joints.

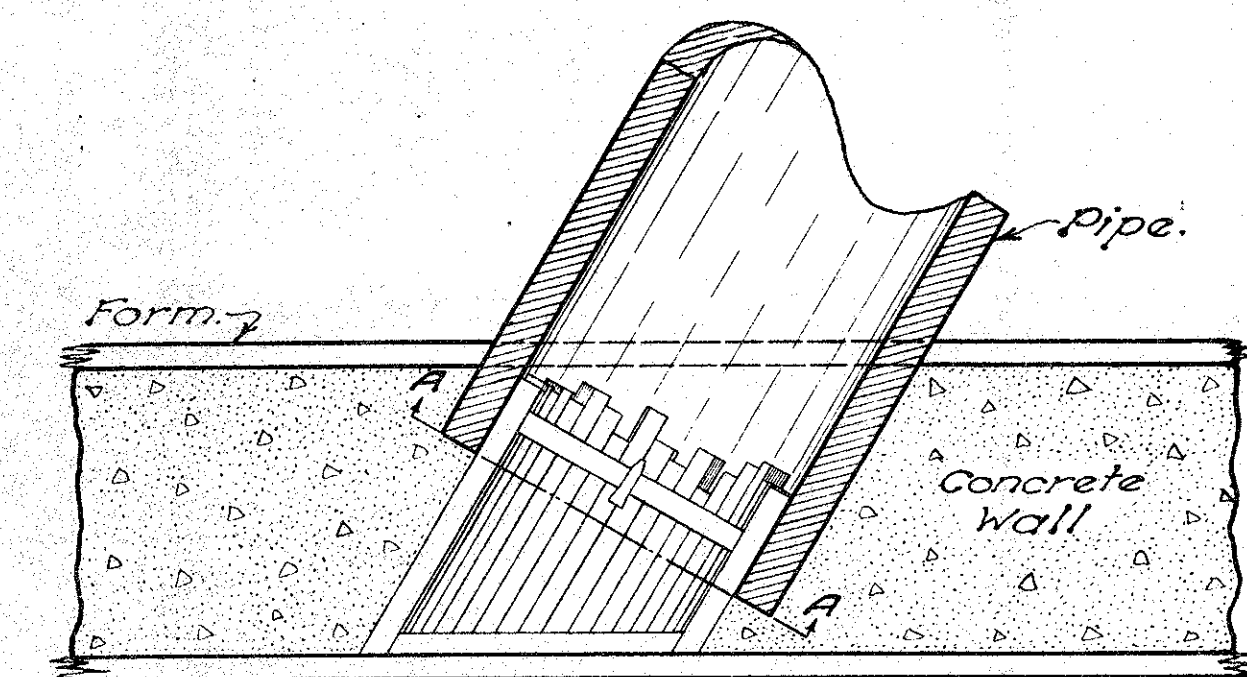
BUREAU OF LOCATION & DESIGN
OHIO DEPARTMENT OF HIGHWAYS

9-1933
5-1934
1-1-36

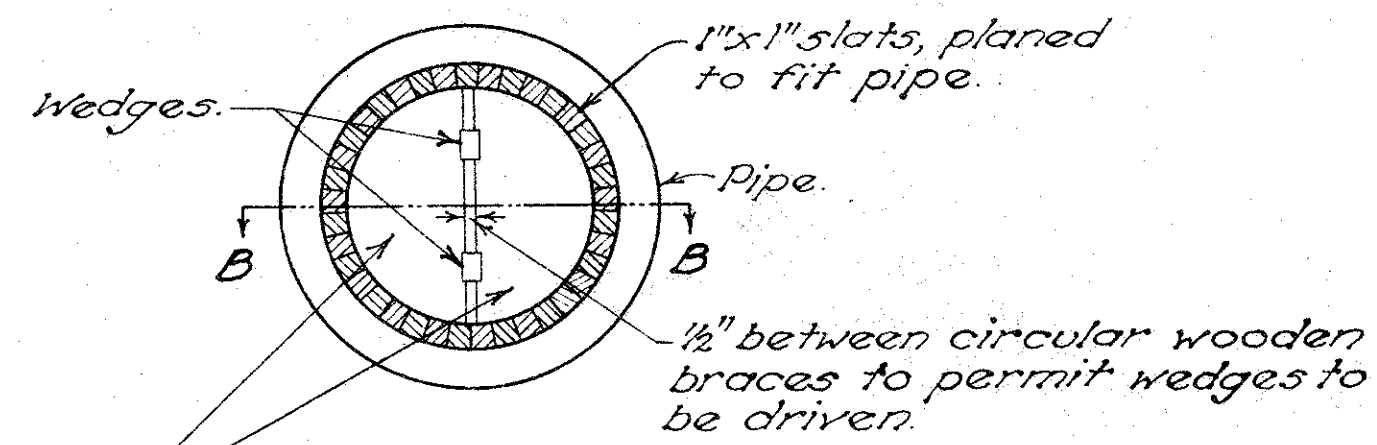
PIPE CULVERTS

STANDARD
CONSTRUCTION **S-27 P.C. 3**
DRAWING

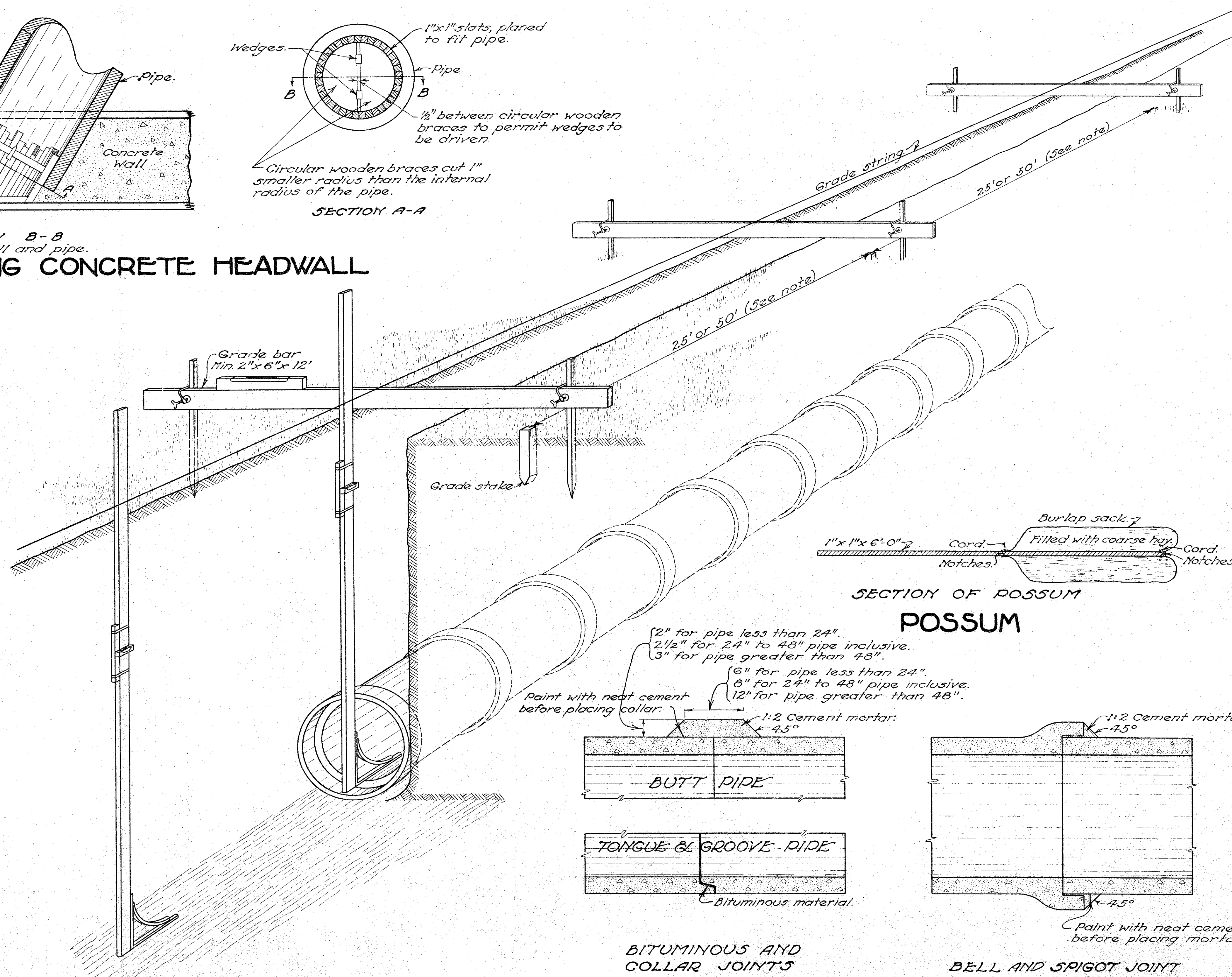
APPROVED *[Signature]* CHIEF ENGINEER



SECTION B-B
Through wall and pipe.
BARRELLING CONCRETE HEADWALL



SECTION A-A



LAYING PIPE

BITUMINOUS AND
COLLAR JOINTS

PIPE JOINTS

BELL AND SPIGOT JOINT

SECTION OF POSSUM
POSSUM

