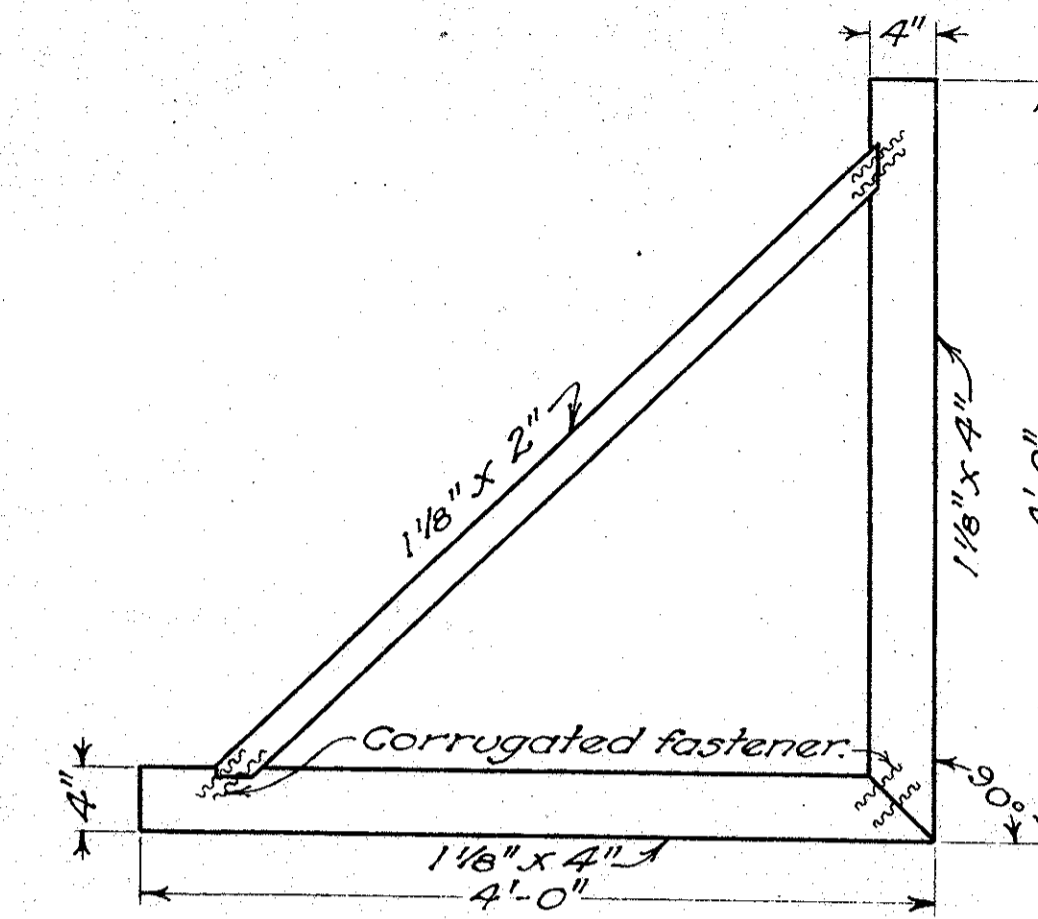
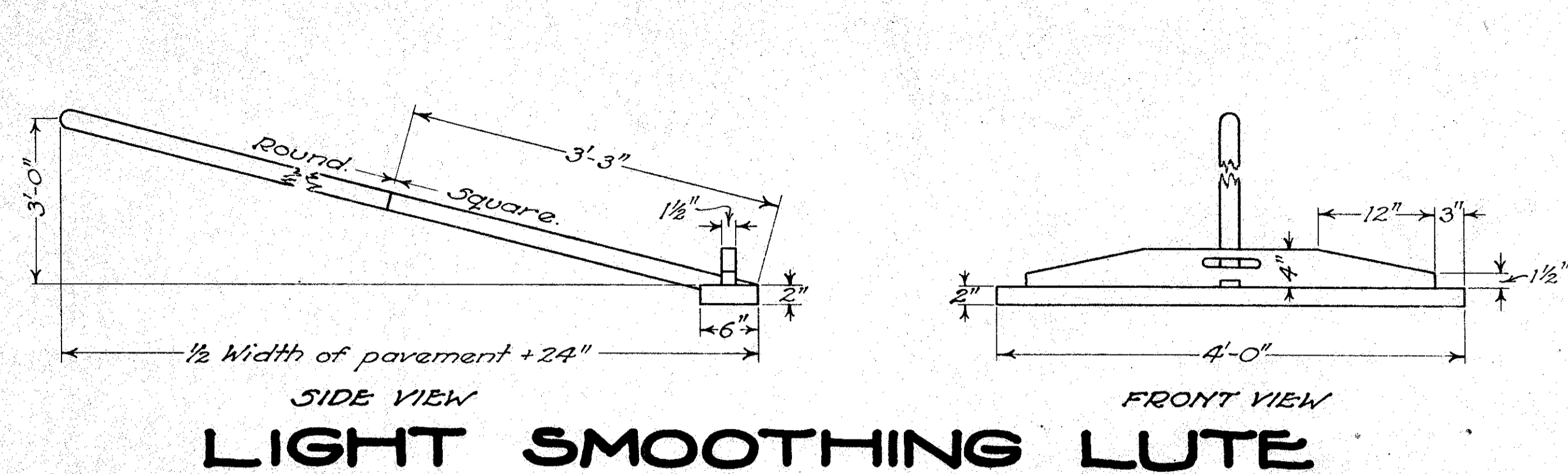


CONCRETE BASE AND PAVEMENT EQUIPMENT



NOTES

Equipment shown herewith is to be in conjunction with the construction of all concrete bases and concrete surface courses.

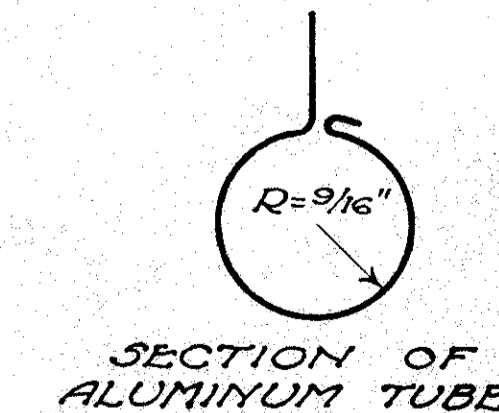
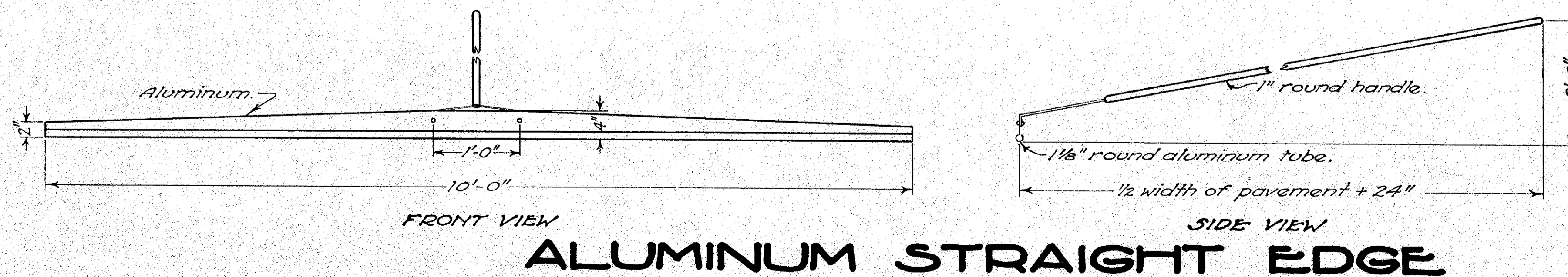
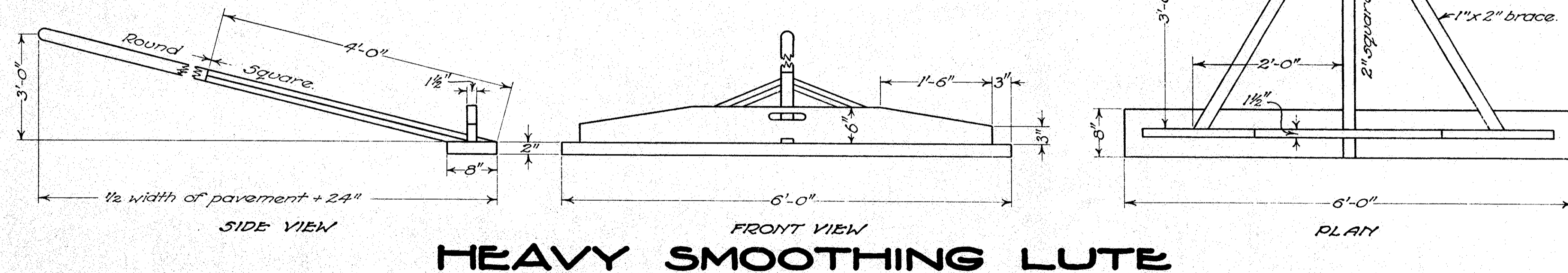
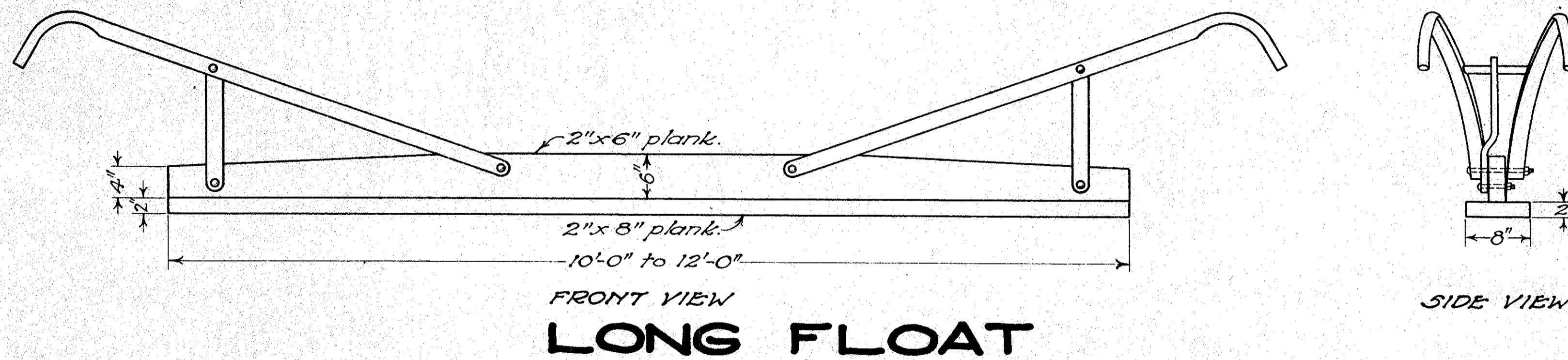
LIGHT SMOOTHING LUTE:
 The light smoothing lute to be used in eliminating small bumps and irregularities after the final screeding and first straight edging.

HEAVY SMOOTHING LUTE:
 The heavy smoothing lute is to be used in eliminating larger bumps and irregularities.

LONG FLOAT:
 The long float to be used as described in the Specifications, being operated from two bridges which span the concrete, and operated longitudinal to center line.

STRAIGHT EDGE:
 The straight edge as shown here with may be of similar design, but of equal construction, and is to be used in accordance with the Specifications as set forth under the requirements of straight edging the surface.

SQUARE:
 The 4 ft. square shall be used in setting all expansion, contraction and construction joints to insure that the same be placed perpendicular to center line and the finished surface.



BUREAU OF LOCATION & DESIGN
 OHIO DEPARTMENT OF HIGHWAYS

CONC. BASE & PAVEMENT EQUIPMENT

STANDARD CONSTRUCTION DRAWING
 B-T-70-71 E.
 No. 1

APPROVED *K.L.H.* CHIEF ENGINEER

10-1933