

# REINFORCING STRIKEOFF TEMPLET FOR REINFORCED CONCRETE BASE AND PAVEMENT

## NOTES

**TEMPLET:**

The templet details herewith constitute a suggested design. Other templets equivalent in workmanship, materials and weight will be permitted.

**WEIGHT:**

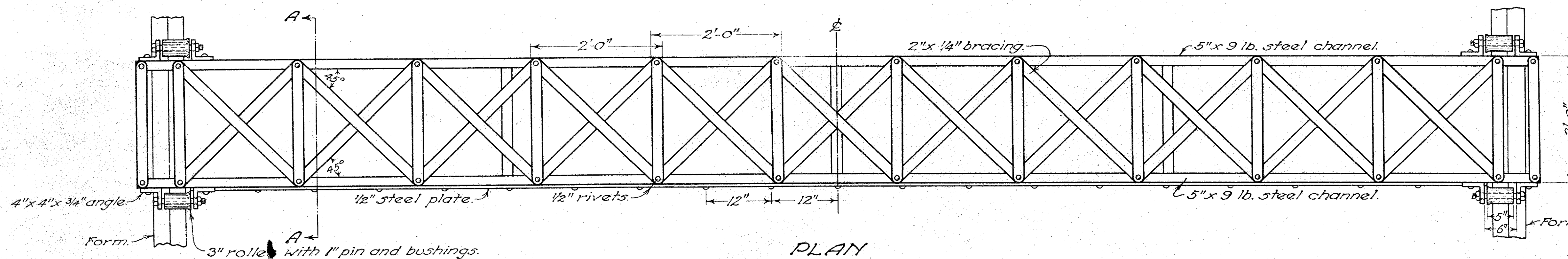
The weight to be not less than 1000 lbs.

**STRIKEOFF PLATE:**

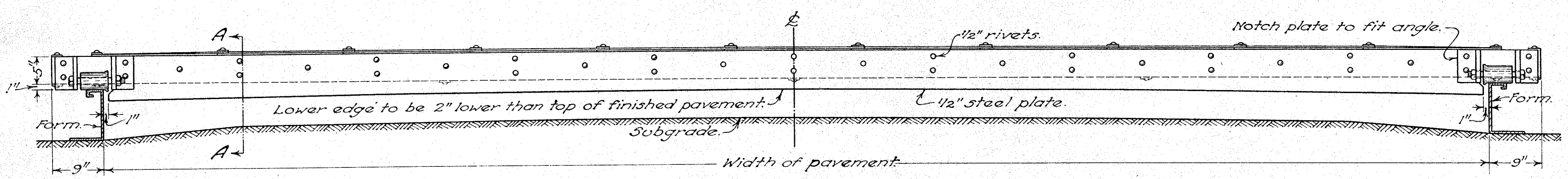
The lower edge of strikeoff plate to be 2" lower than top of finished pavement unless otherwise specified on the plans.

**PROPELLING:**

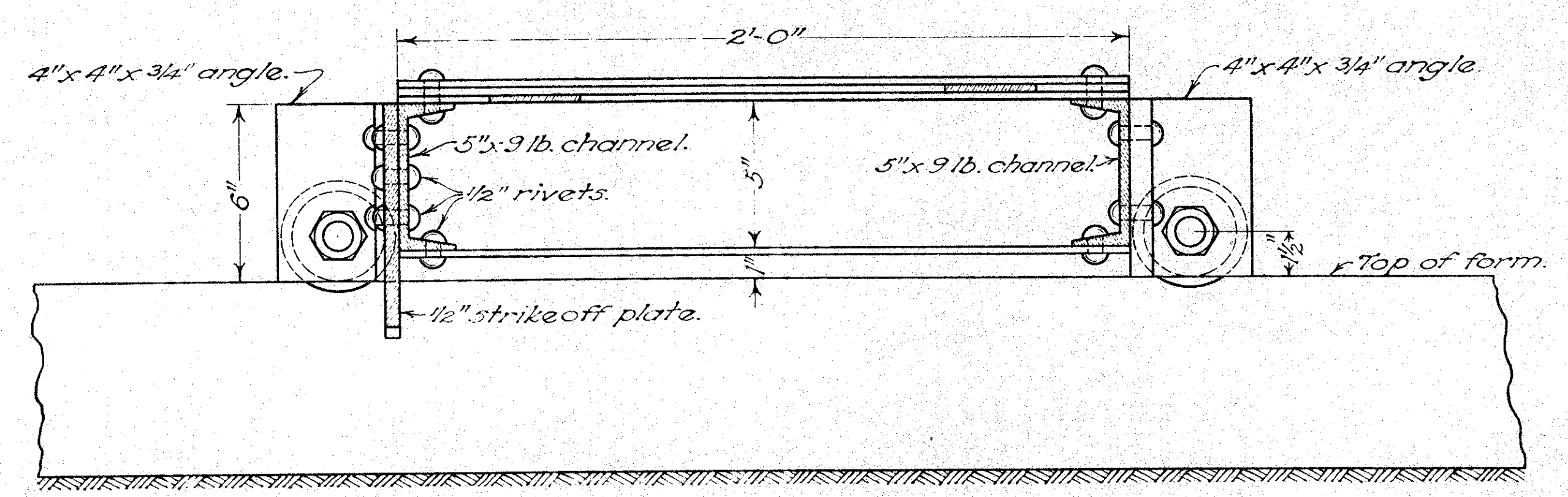
The templet shall not be moved forward by power from the mixer. The preferred method is that of being propelled by means of struts in front of the finishing machine.



PLAN

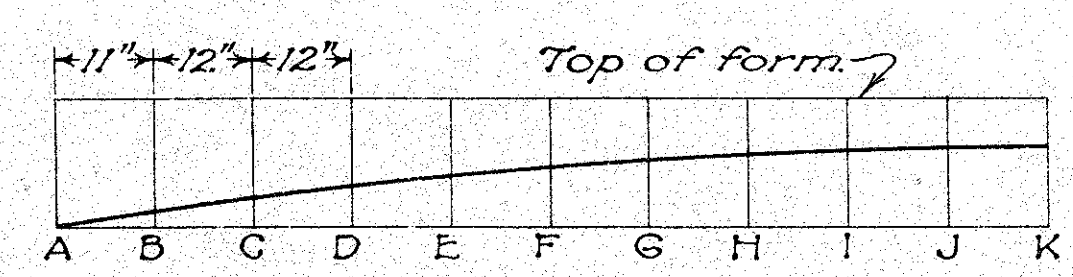


ELEVATION



SECTION A-A  
(ENLARGED)

20' PAVEMENT											
ORDINATE	A	B	C	D	E	F	G	H	I	J	K
DISTANCE BELOW FORM	1 63/64"	1 52/64"	1 41/64"	1 30/64"	1 21/64"	1 13/64"	1 5/64"	62/64"	57/64"	52/64"	48/64"



BUREAU OF LOCATION & DESIGN  
OHIO DEPARTMENT OF HIGHWAYS

10-1933

## REINF. CONC. BASE & PAVE EQUIPMENT

STANDARD CONSTRUCTION DRAWING  
B-T-71 E.  
No. 1

APPROVED *K.L.H.* CHIEF ENGINEER