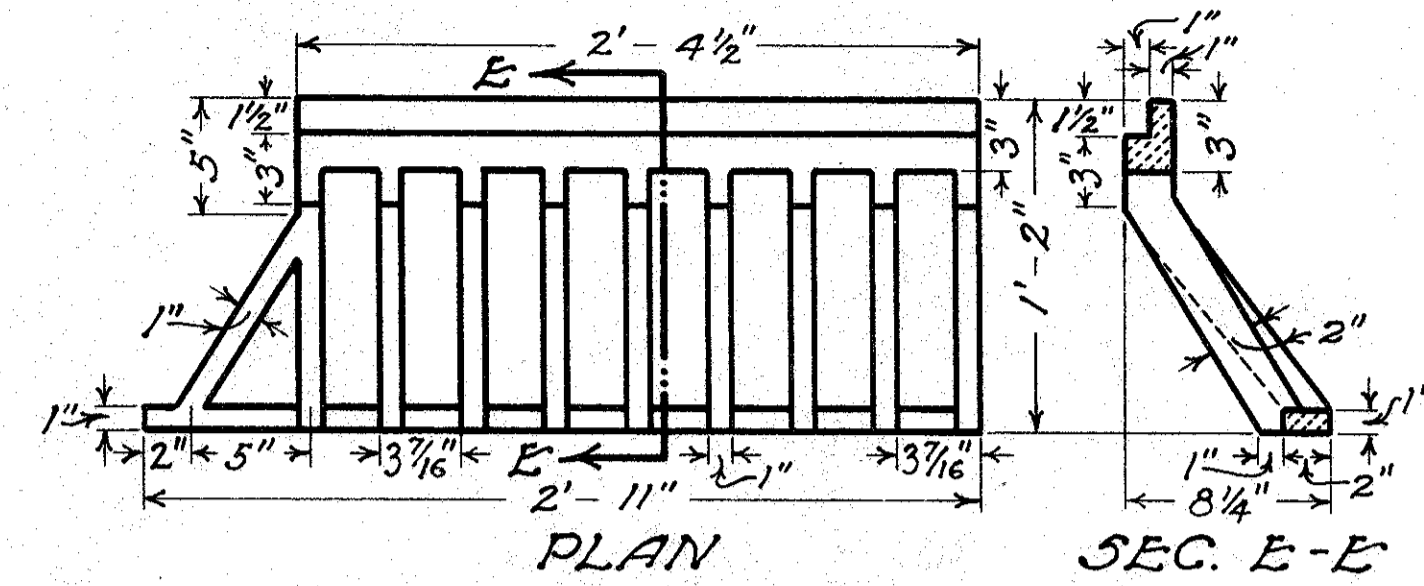
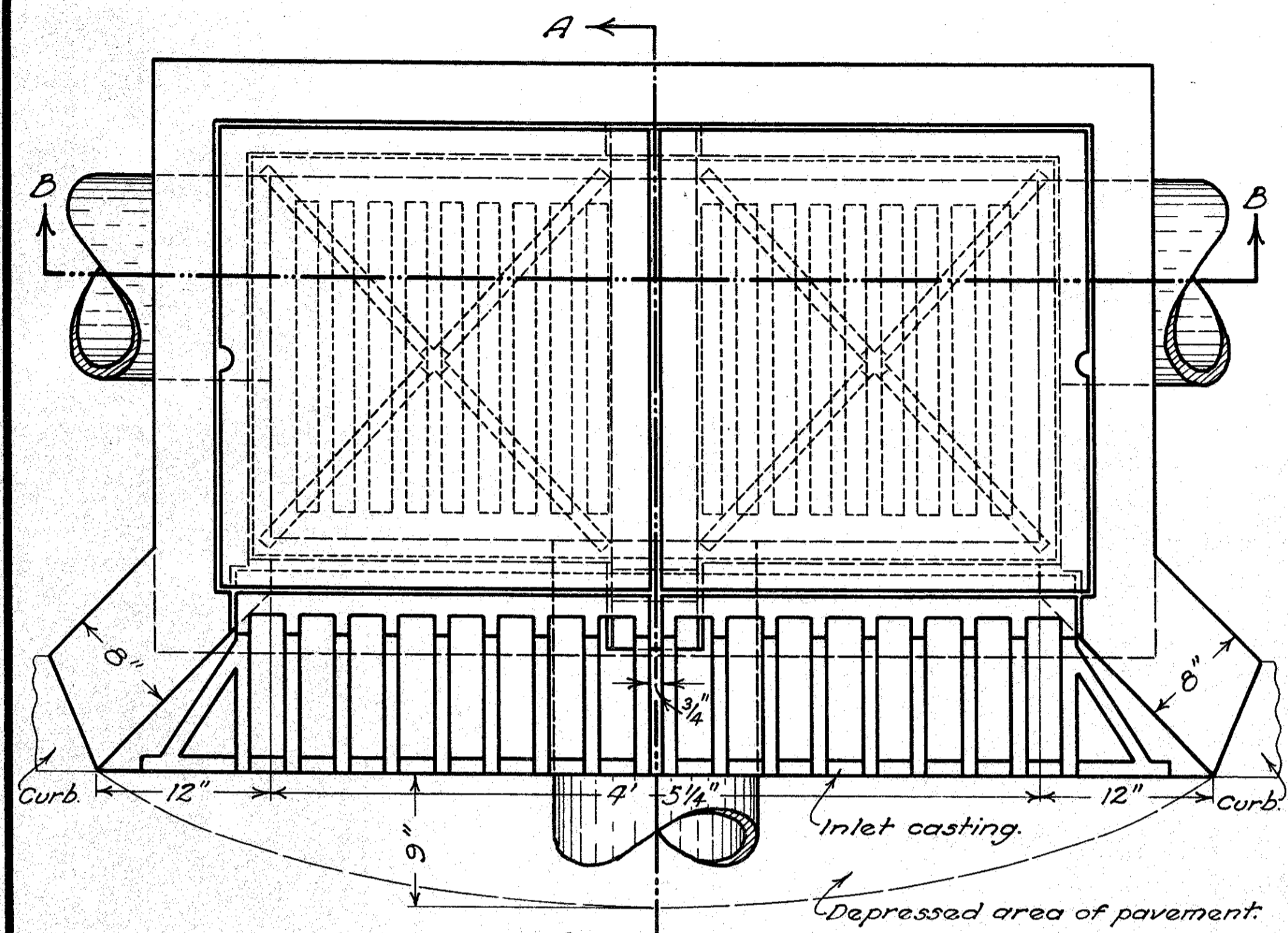
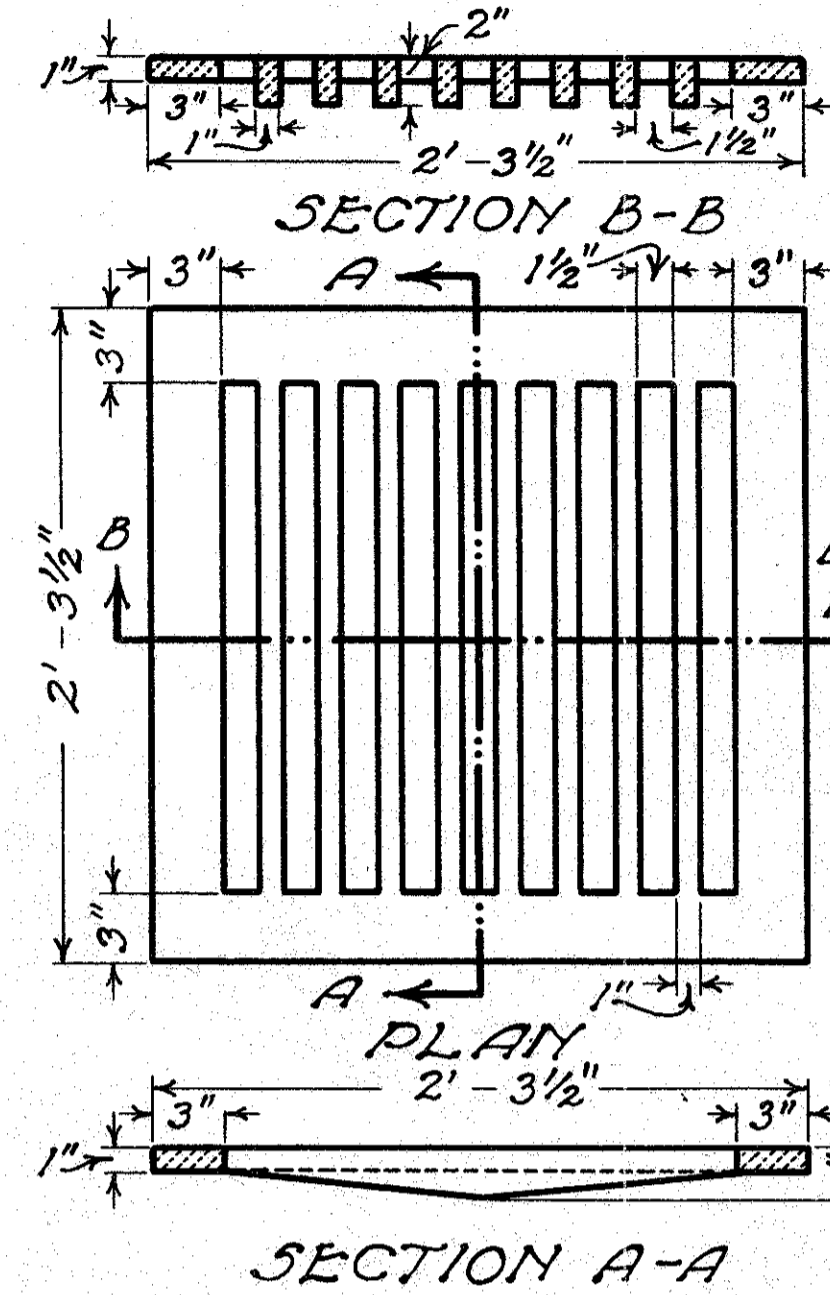
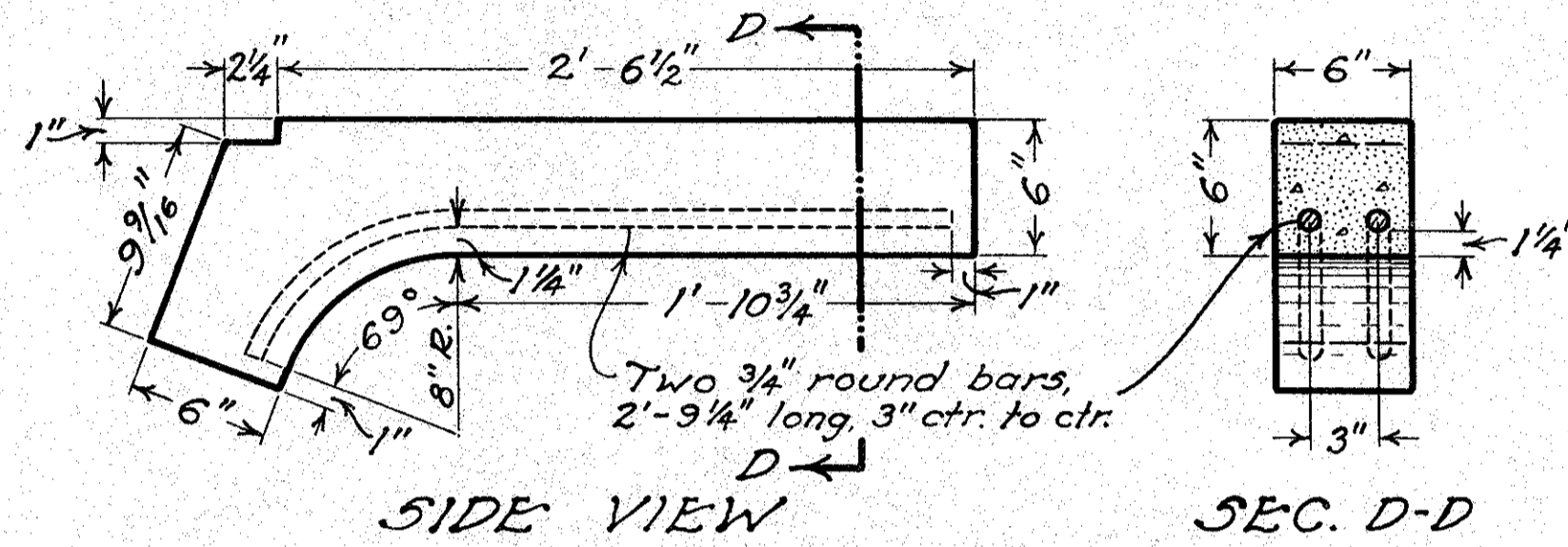


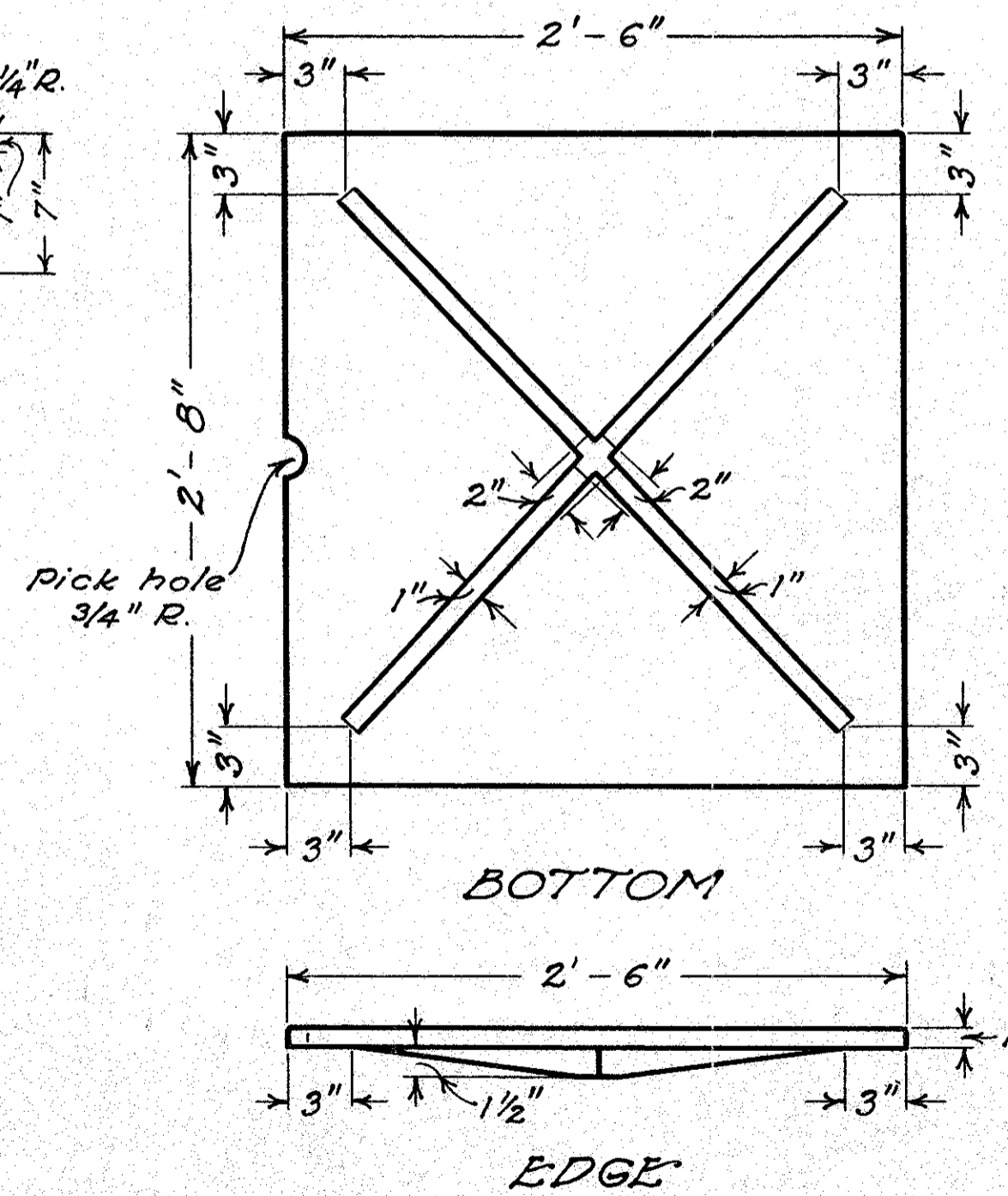
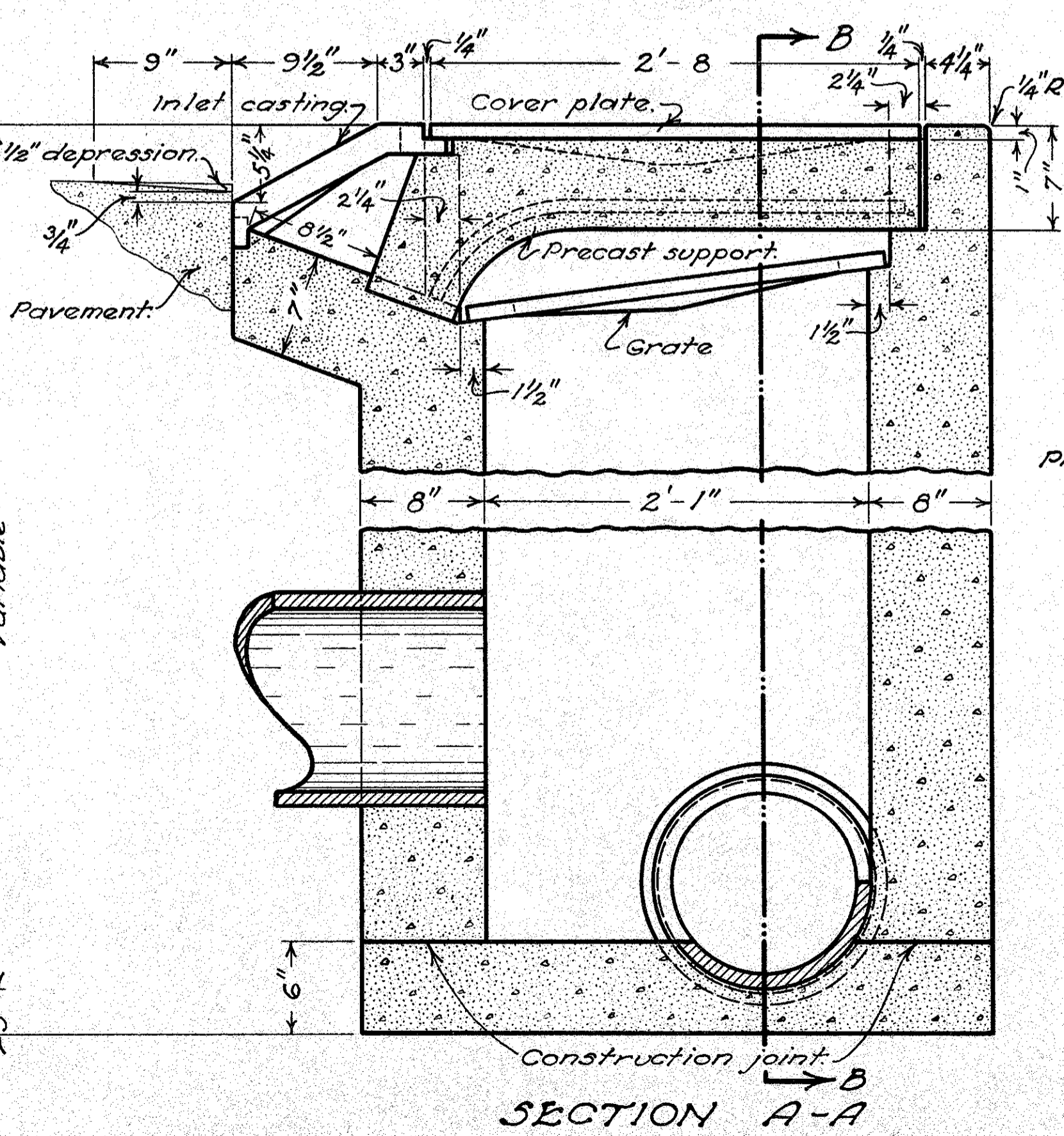
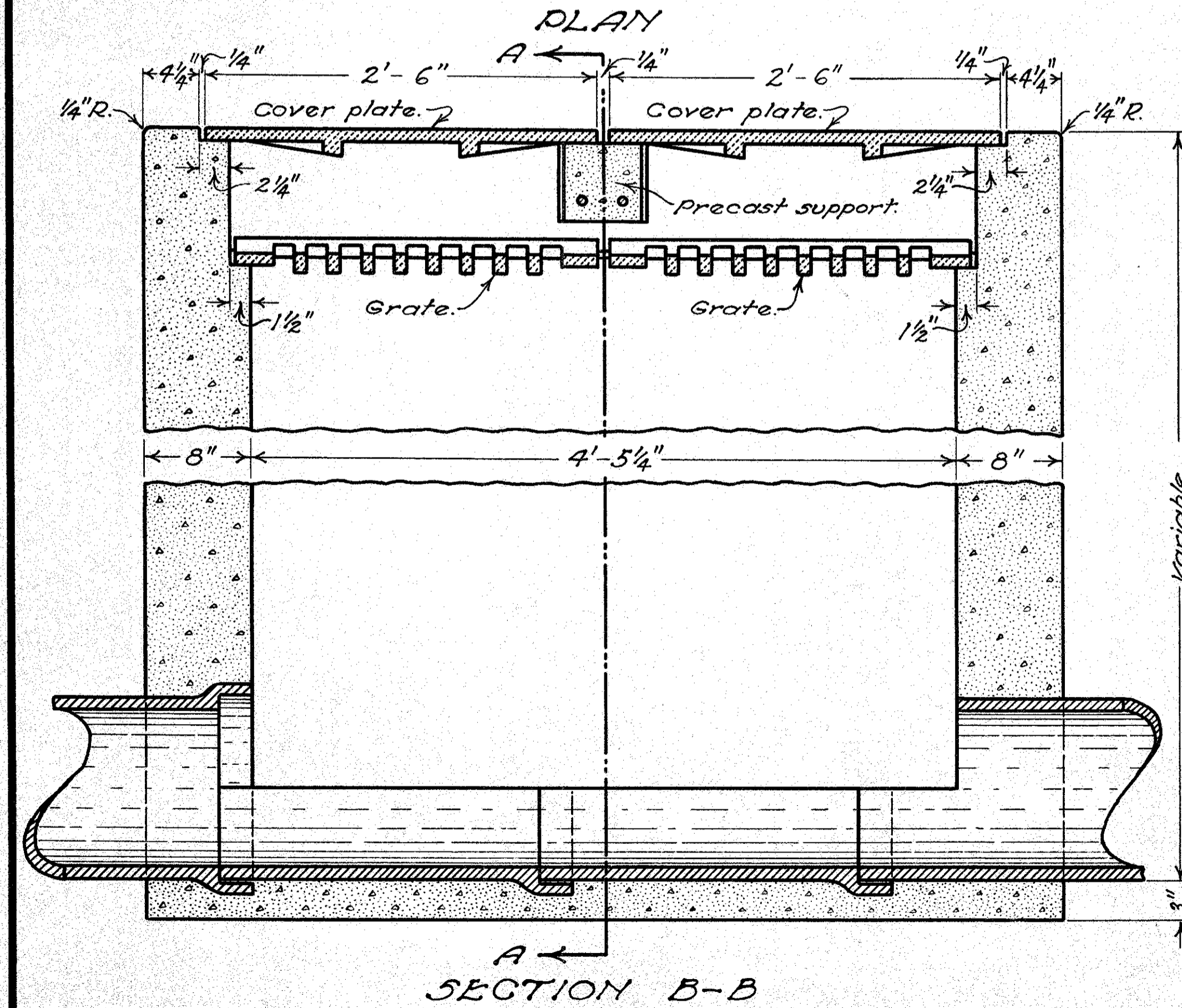
# STANDARD DOUBLE CURB INLET



HALF OF DOUBLE INLET CASTING



PRECAST CONCRETE SUPPORT GRATE



## NOTES

**CASTINGS** shall be of cast iron in accordance with Material Details. The designs shall be essentially the same and equally as strong as those shown hereon and shall be given one coat of asphaltum paint as per specifications.

**WEIGHTS** approximately are:—  
Cover plate each 328 lbs.  
Grate each 155 lbs.  
Curb casting each 100 lbs.

**CONCRETE** shall be 1-5/2 mix.  
**BRICK** side walls, when used in place of concrete, shall be 8 in. in thickness and to be plastered on the inside and outside with 1-2 cement mortar 1/2 in. thick.

BUREAU OF LOCATION & DESIGN		9-1933
OHIO DEPARTMENT OF HIGHWAYS		8-1934
		2-1-'36
<b>CURB INLET</b>		
STANDARD CONSTRUCTION DRAWING		I-8 I. No. 4
APPROVED <i>H. L. R.</i> CHIEF ENGINEER		