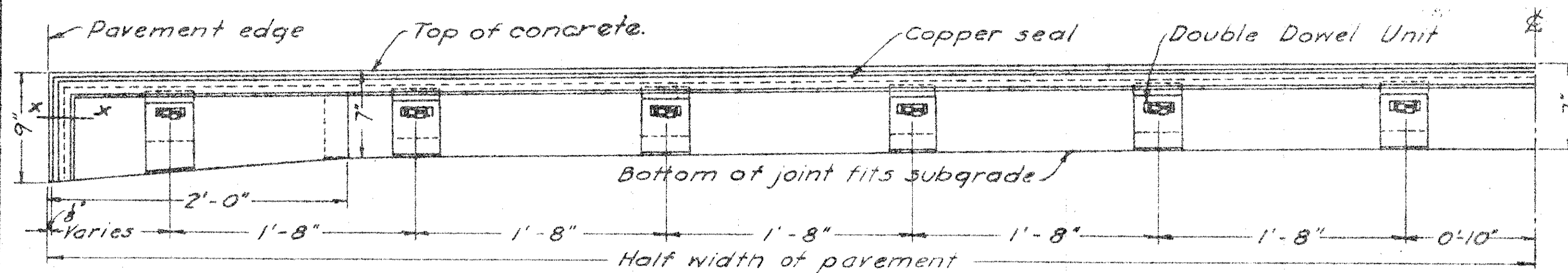


# TRANSVERSE JOINTS

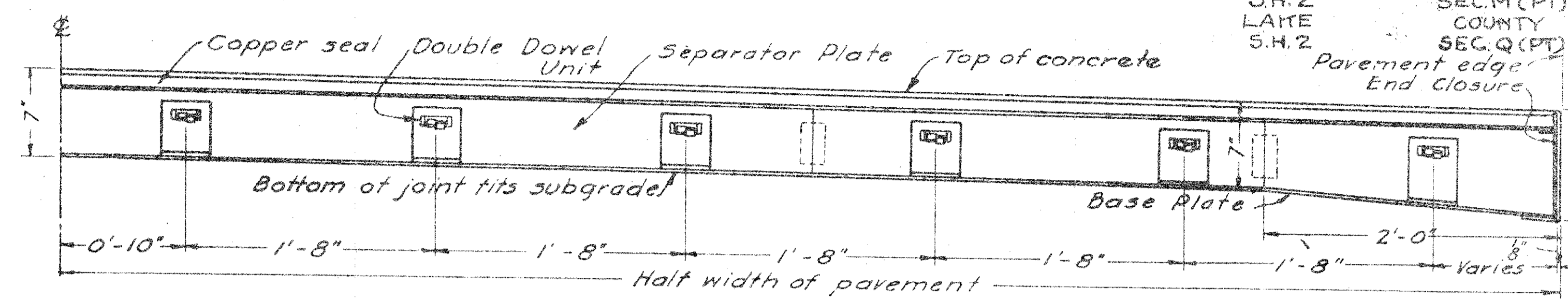
FED. RD. DIST. NO.	STATE	FED. AID PROJECT	FISCAL YEAR	AC
10	OHIO	666-1(1) 5(3)	1938	39

## EXPANSION JOINT

## CONSTRUCTION JOINT

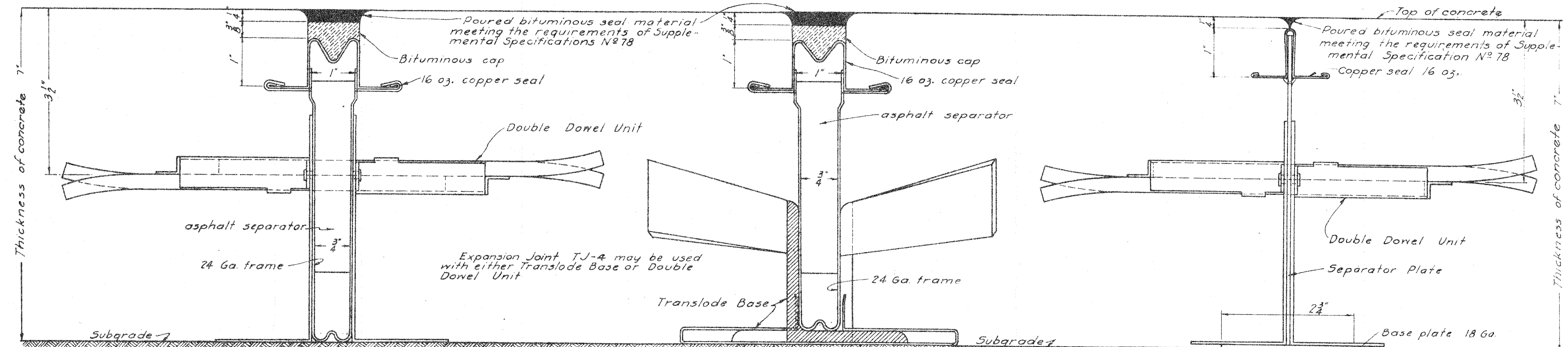


ELEVATION OF JOINT



ELEVATION OF JOINT

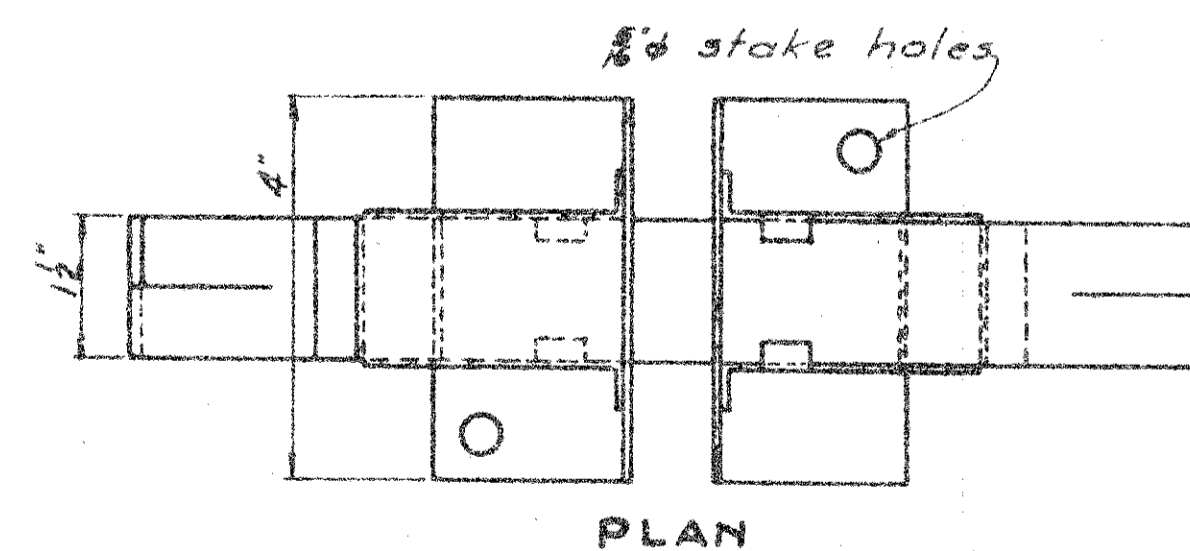
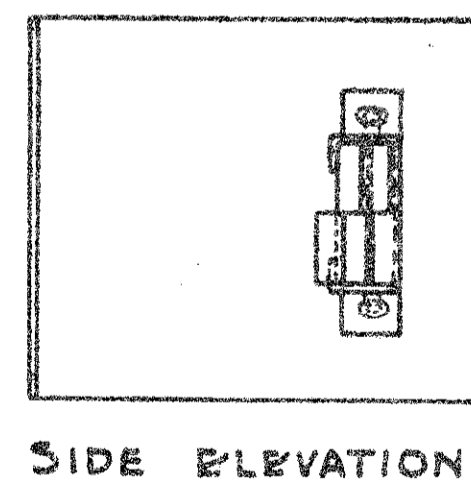
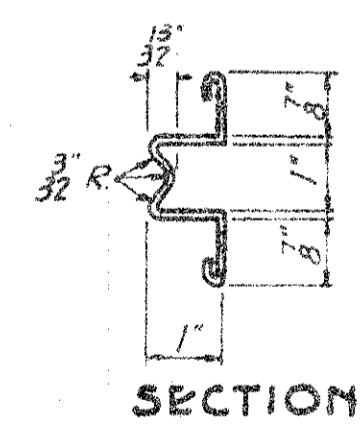
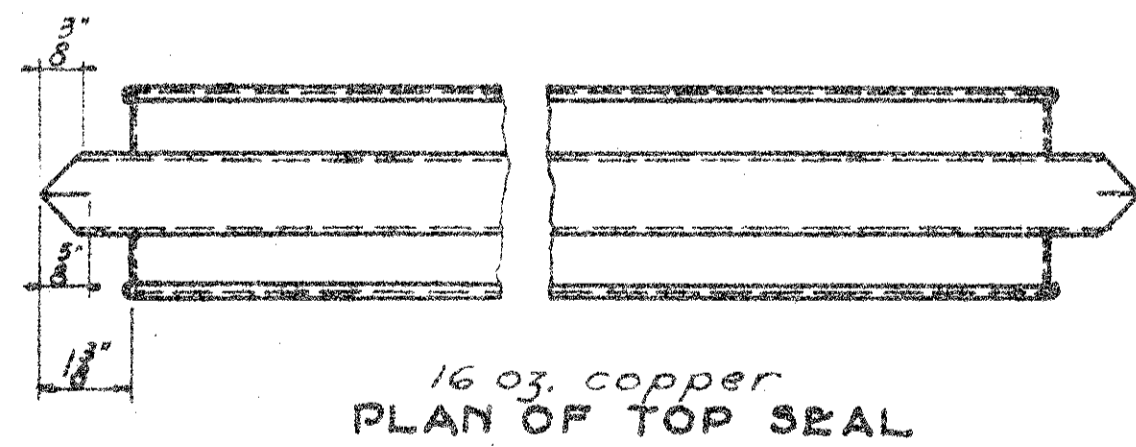
ASHTABULA COUNTY  
S.H. 2 SEC. M (PT)  
LAITE COUNTY  
S.H. 2 SEC. Q (PT)  
Pavement edge  
End closure



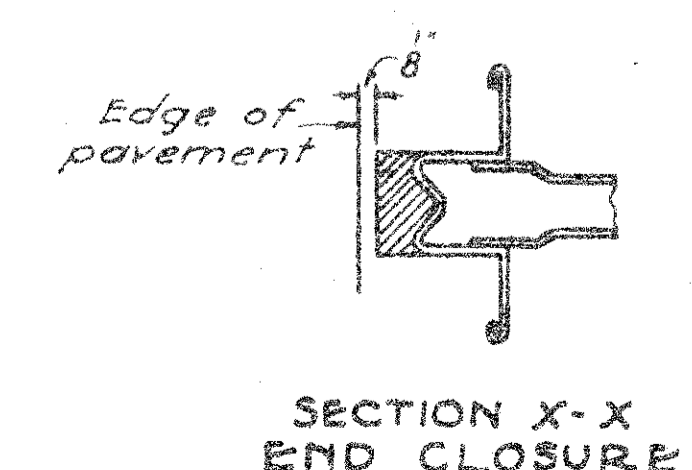
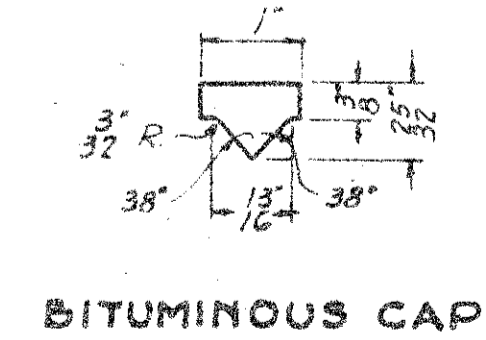
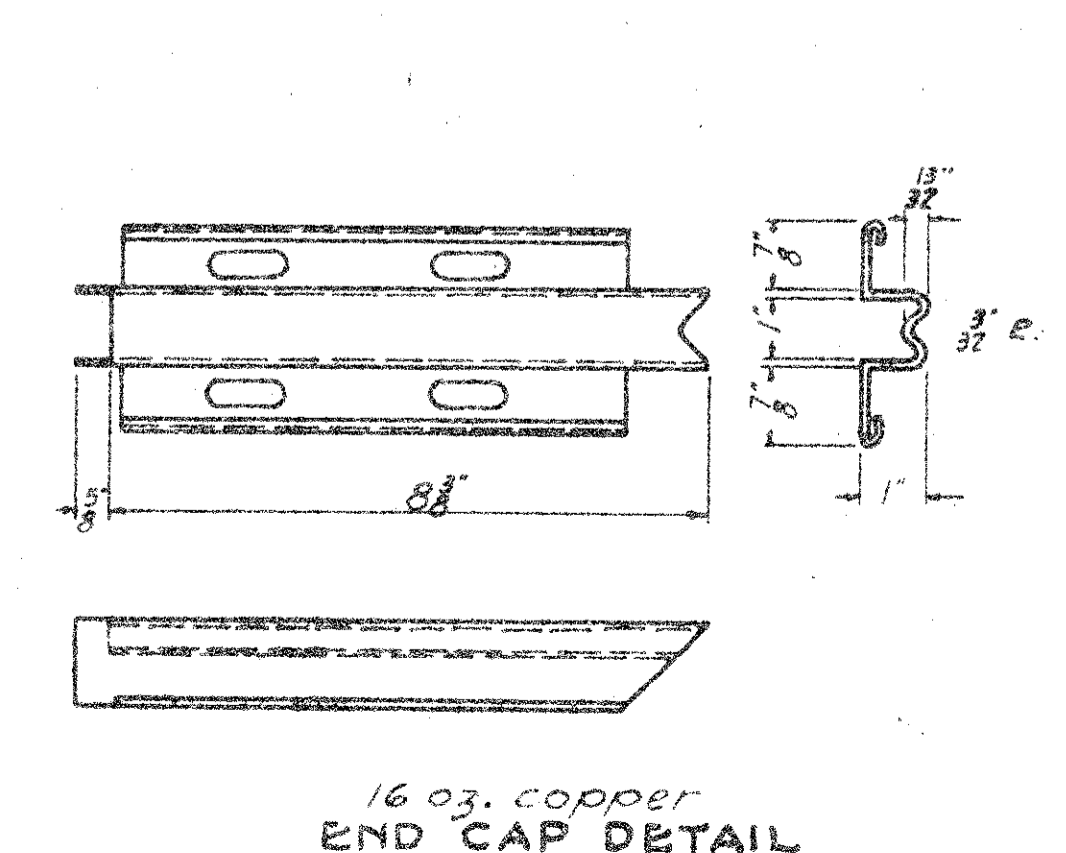
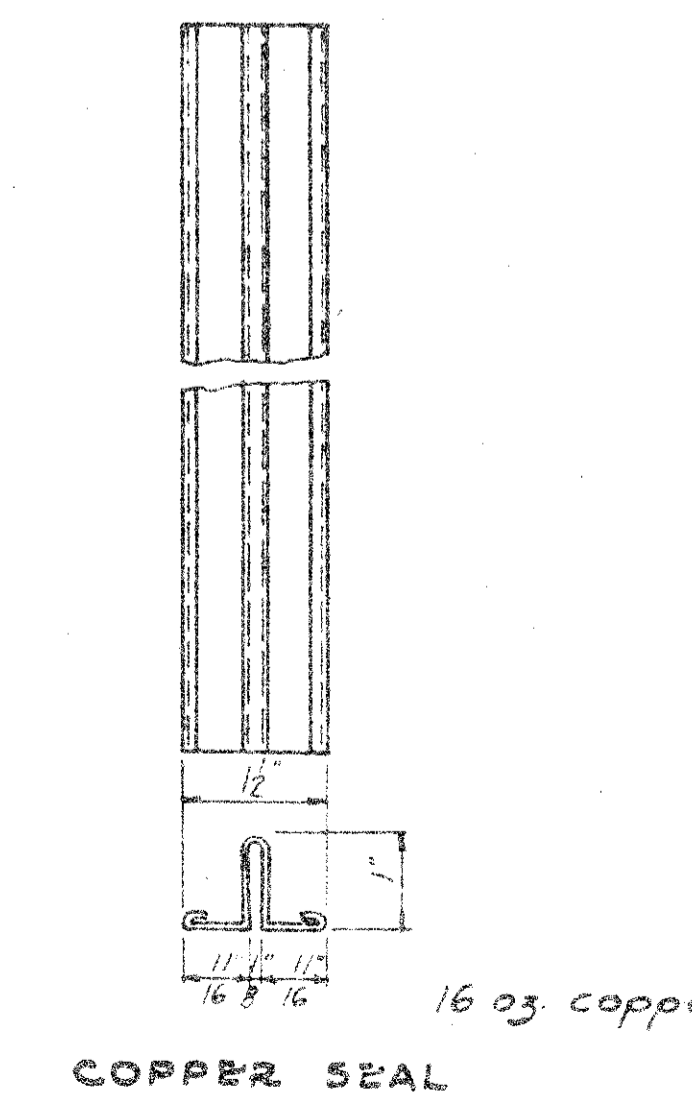
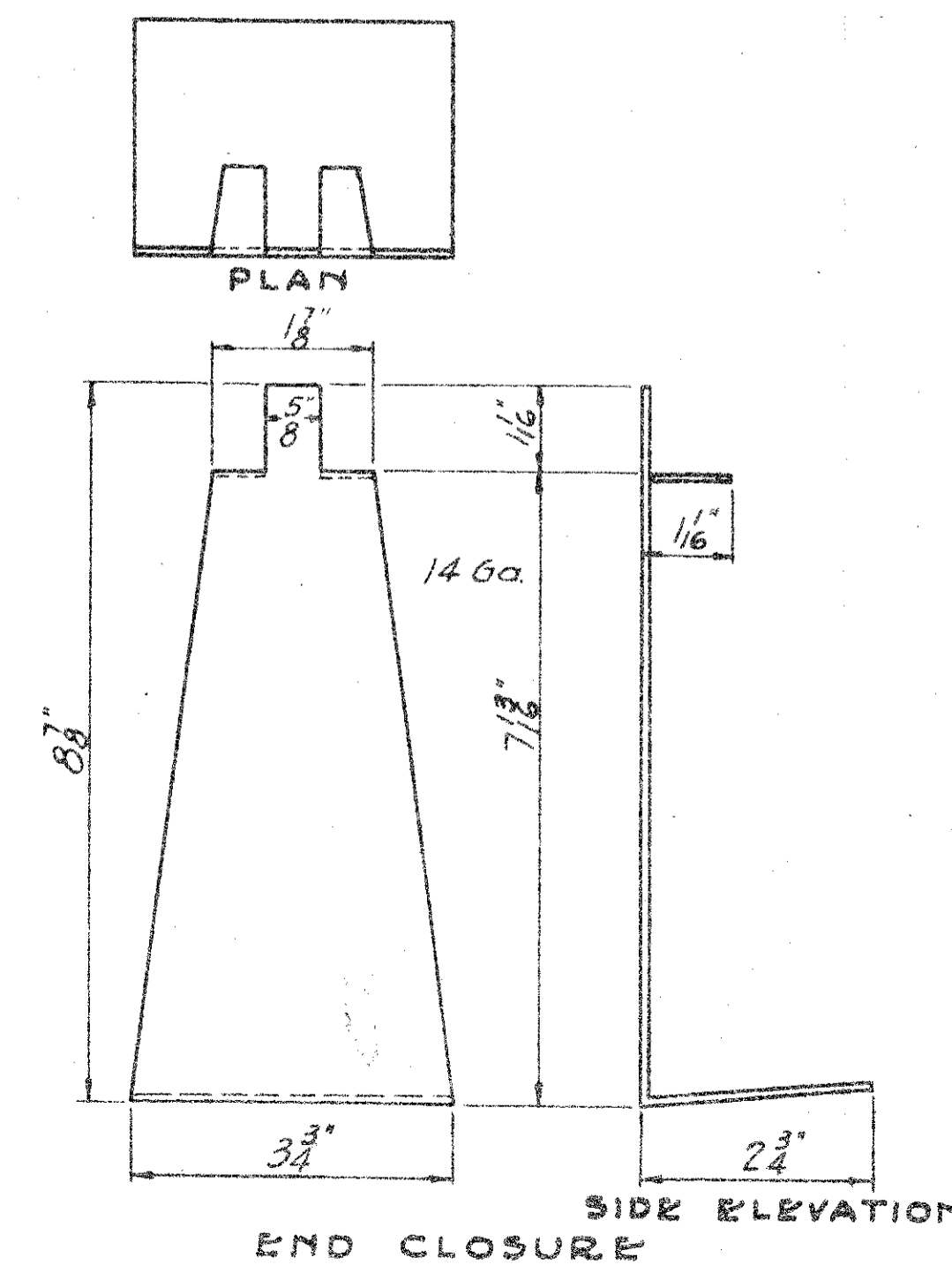
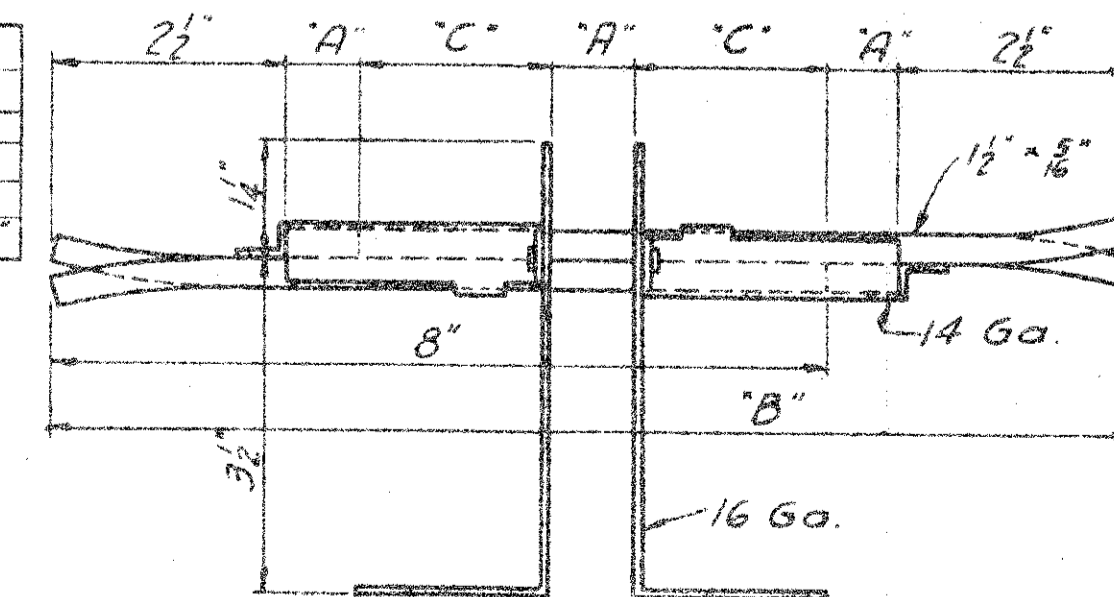
TYPICAL SECTION OF JOINT

TYPICAL SECTION OF JOINT

TYPICAL SECTION OF JOINT



Dimension A for expansion joint	13"
B	11 1/2"
C	11 1/2"
A for construction	10 1/2"
B	10 1/2"
C	24 1/2"



TJ-4