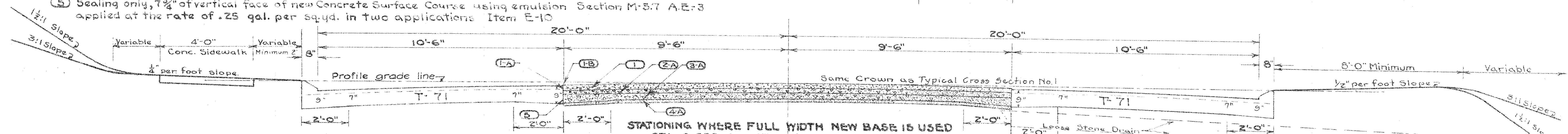
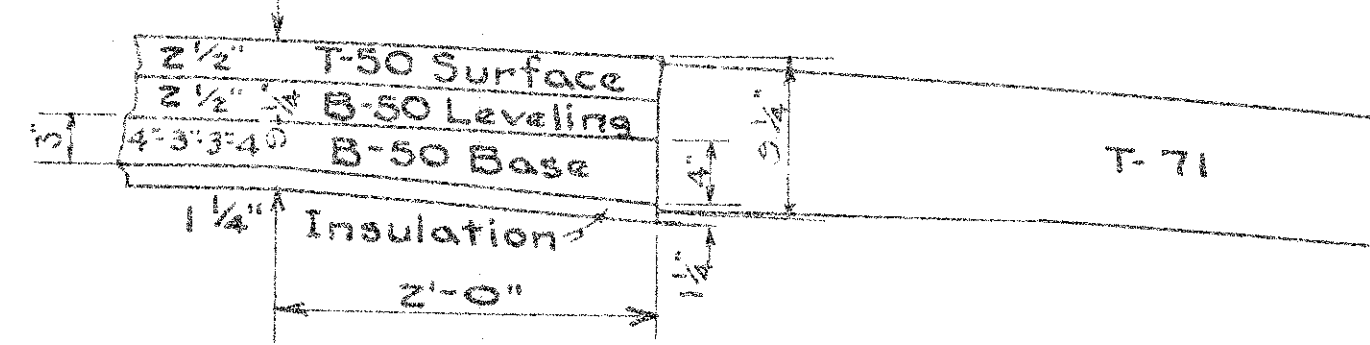


TYPICAL CROSS-SECTION

NO. 3 FOR
FULL WIDTH NEW BASE TYPE T-50

FED. AID DIST.	STATE	FED. AID PROJECT	FISCAL YEAR	3
10	OHIO	5(3)	1938	39
ASHTABULA COUNTY		M(PT.)		
S.H. 2 SEC.		COUNTY		
LAKE COUNTY		Q(PT.)		
S.H. 2 SEC.		COUNTY		

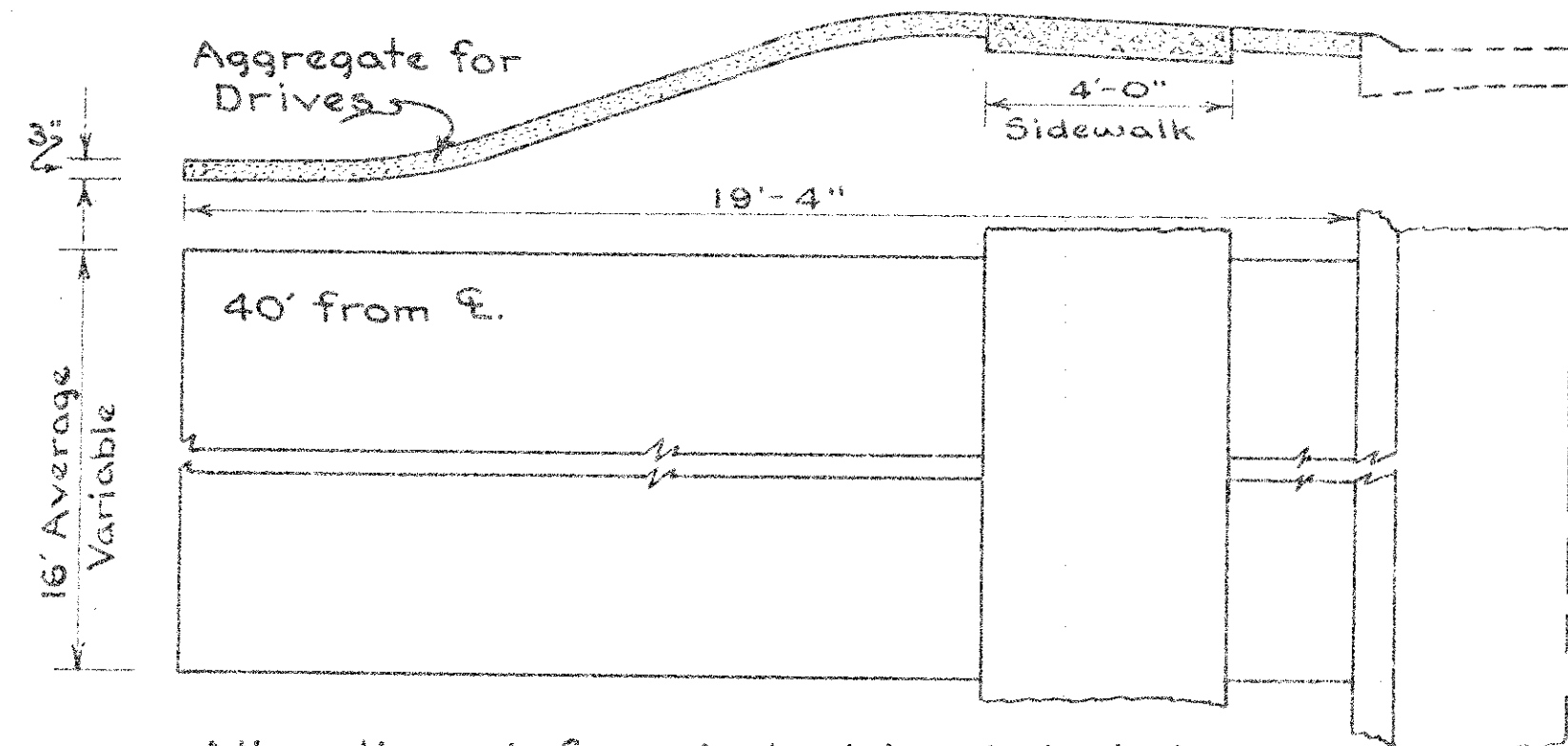
- ① 2 1/2" Asphaltic Concrete Surface Course Item T-50= 1" Type B Wearing Course 1 1/2" Binder Course
- ② Bituminous Seal applied by brush or poured as directed, payment included in price bid for Item T-50 Surface Course
- ③ Finish Wearing Course 1/4" above edge of Concrete
- ④ 2 1/2" Asphaltic Concrete Leveling Course Item B-50
- ⑤ 4" 3/4" Asphaltic Concrete Base Course Item B-50
- ⑥ 1 1/2" Insulation Course Item B-11
- ⑦ Sealing only, 7 1/2" of vertical face of new Concrete Surface Course using emulsion Section M-5.7 A-E-3 applied at the rate of .25 gal. per sq. yd. in two applications Item E-10



STATIONING WHERE FULL WIDTH NEW BASE IS USED

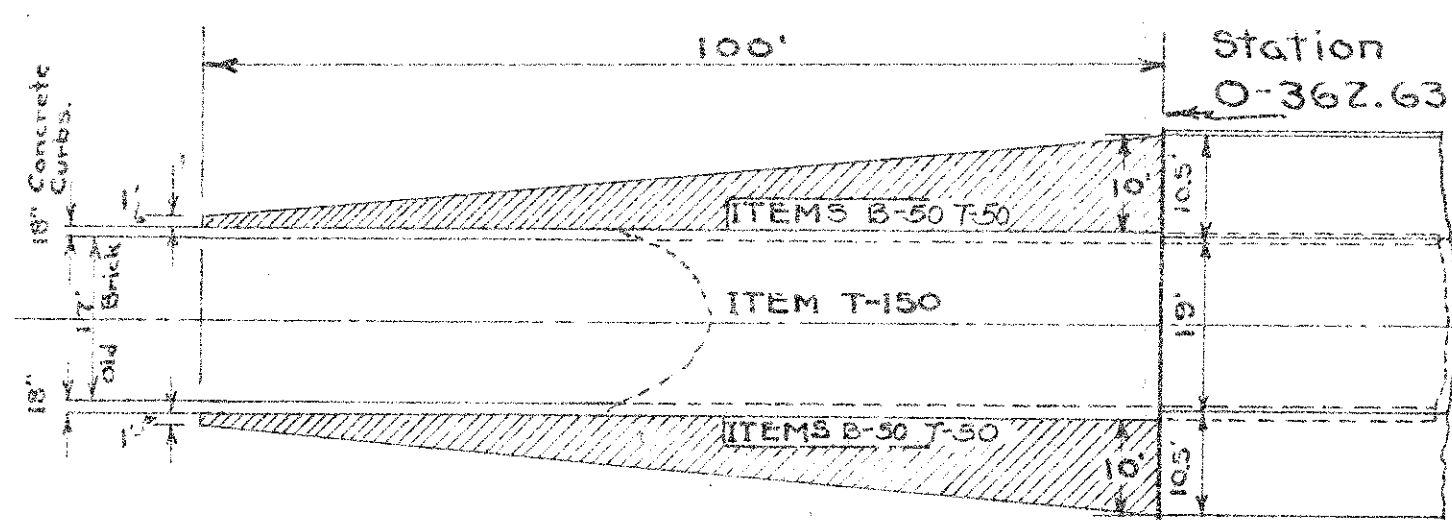
STA. 0+350 TO STA. 4+40	= 790	LIN. FT.
STA. 10+74 TO STA. 10+78	= 4	LIN. FT.
STA. 22+00 TO STA. 39+00	= 1700	LIN. FT.
STA. 49+90 TO STA. 40+94	= 4	LIN. FT.
STA. 49+00 TO STA. 54+72	= 572	LIN. FT.
STA. 71+38 TO STA. 71+42	= 4	LIN. FT.
STA. 74+75 TO STA. 81+98.43	= 723.43	LIN. FT.
TOTAL LIN. FT.	3797.43	OR 0.719 MILE

(AND DEFECTIVE AREAS AS DETERMINED BY THE ENGINEER)



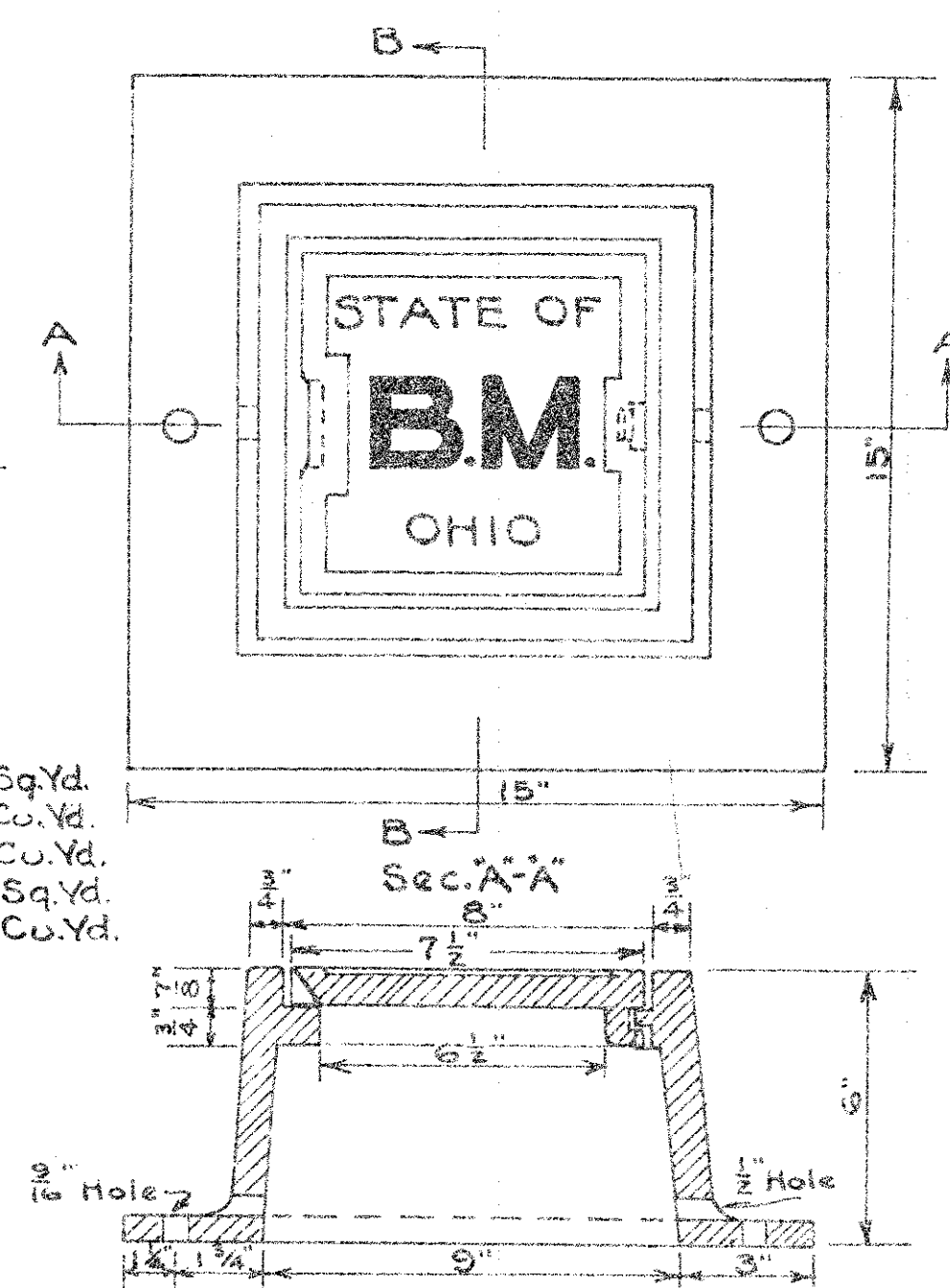
All earthwork for private drives is included in Roadway Excavation and Embankment Sidewalk on North side only

TYPICAL PRIVATE DRIVE

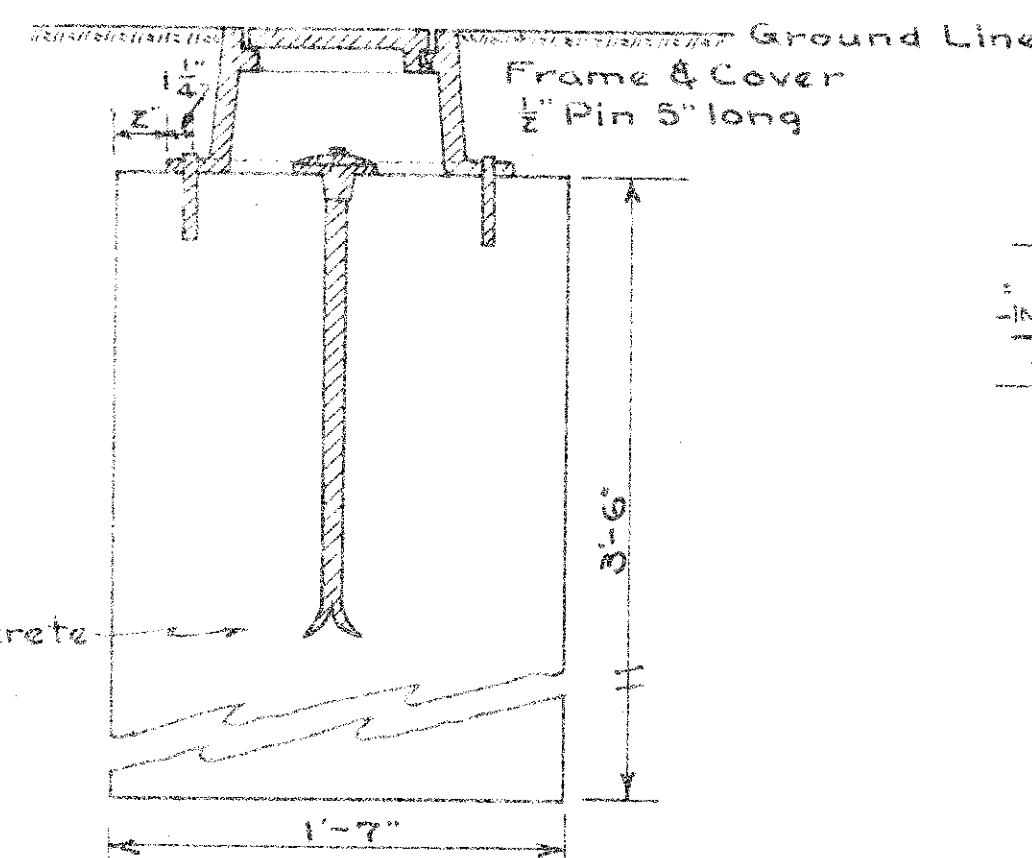


QUANTITIES IN TRANSITION
Excavation included in Roadway Excavation
2 1/2" Asphaltic Concrete Surface Course, Item T-50 = 122.2 Sq. Yd.
2 1/2" Asphaltic Concrete Leveling Course, Item B-50 = 8.5 Cu. Yd.
4" Asphaltic Concrete Base Course, Item B-50 = 10.2 Cu. Yd.
1 1/2" Insulation Course, Item B-11 = 122.2 Sq. Yd.
Asphaltic Concrete Pavement, Item T-150 = 7.0 Cu. Yd.

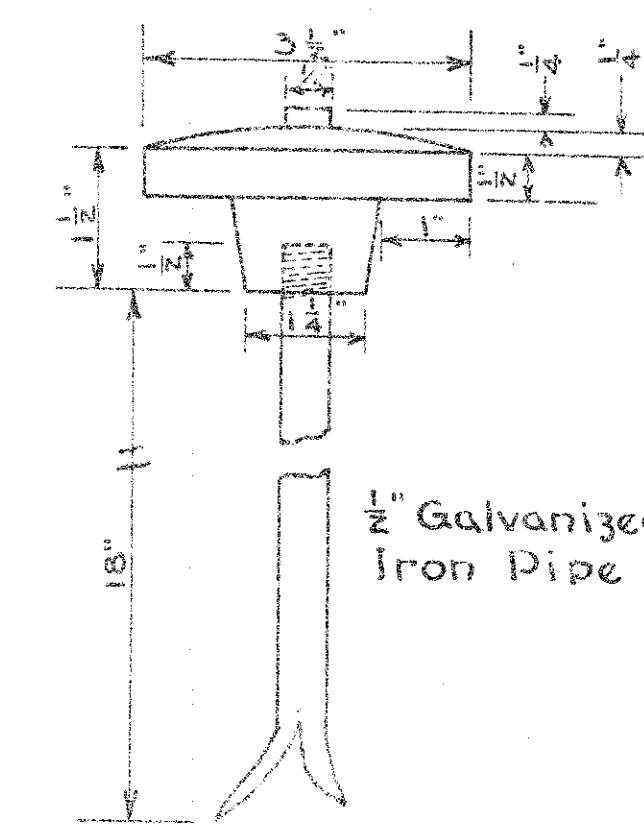
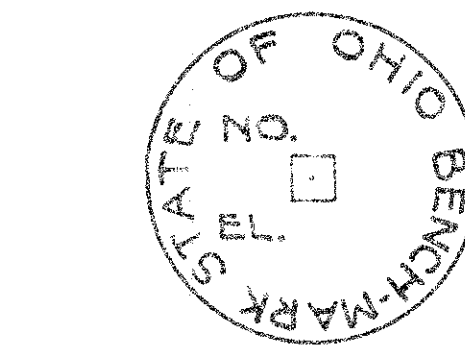
DETAIL OF TRANSITION AT STATION 0-362.63



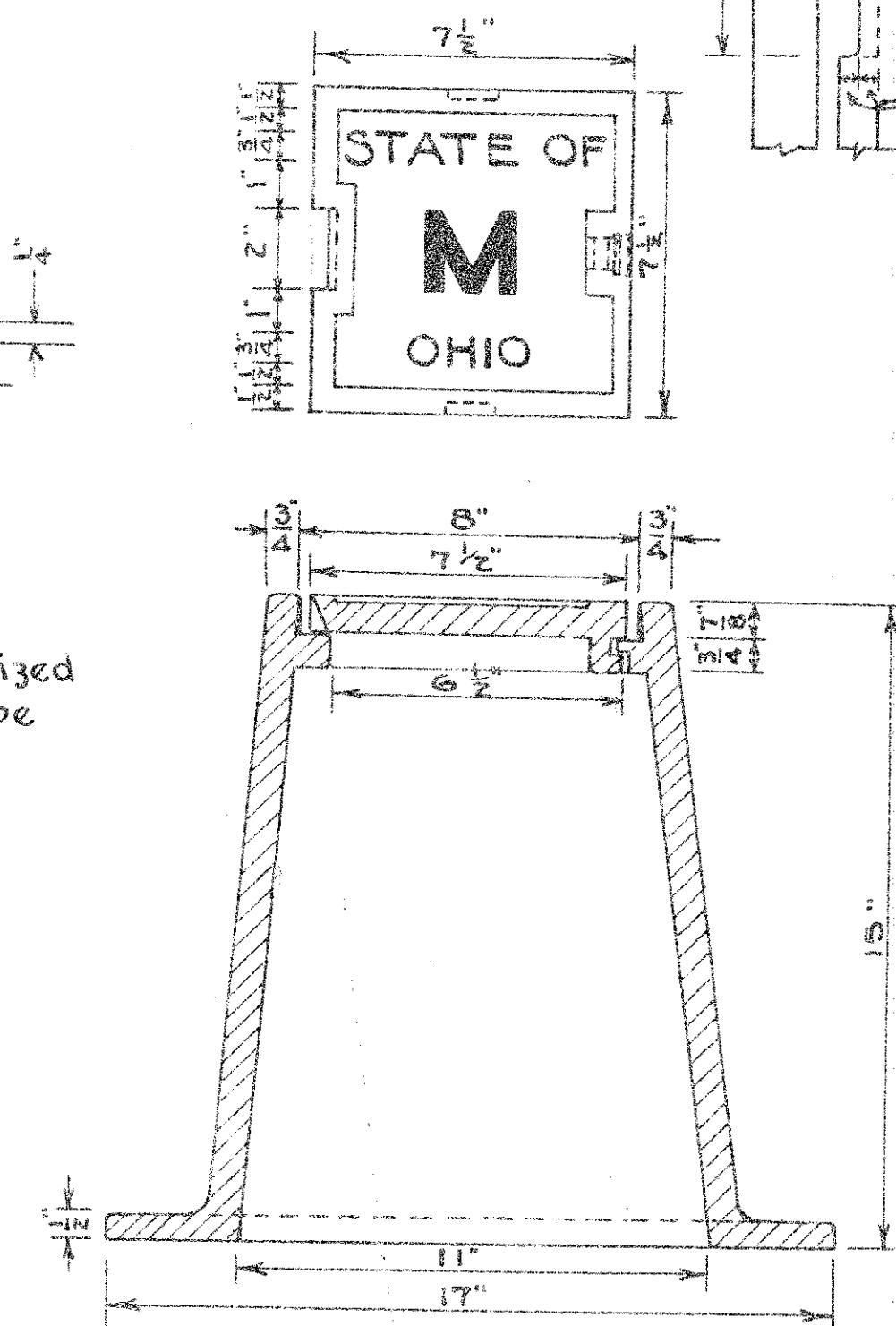
PLAN OF BENCH MARK COVER & FRAME
Scale 3"=1'



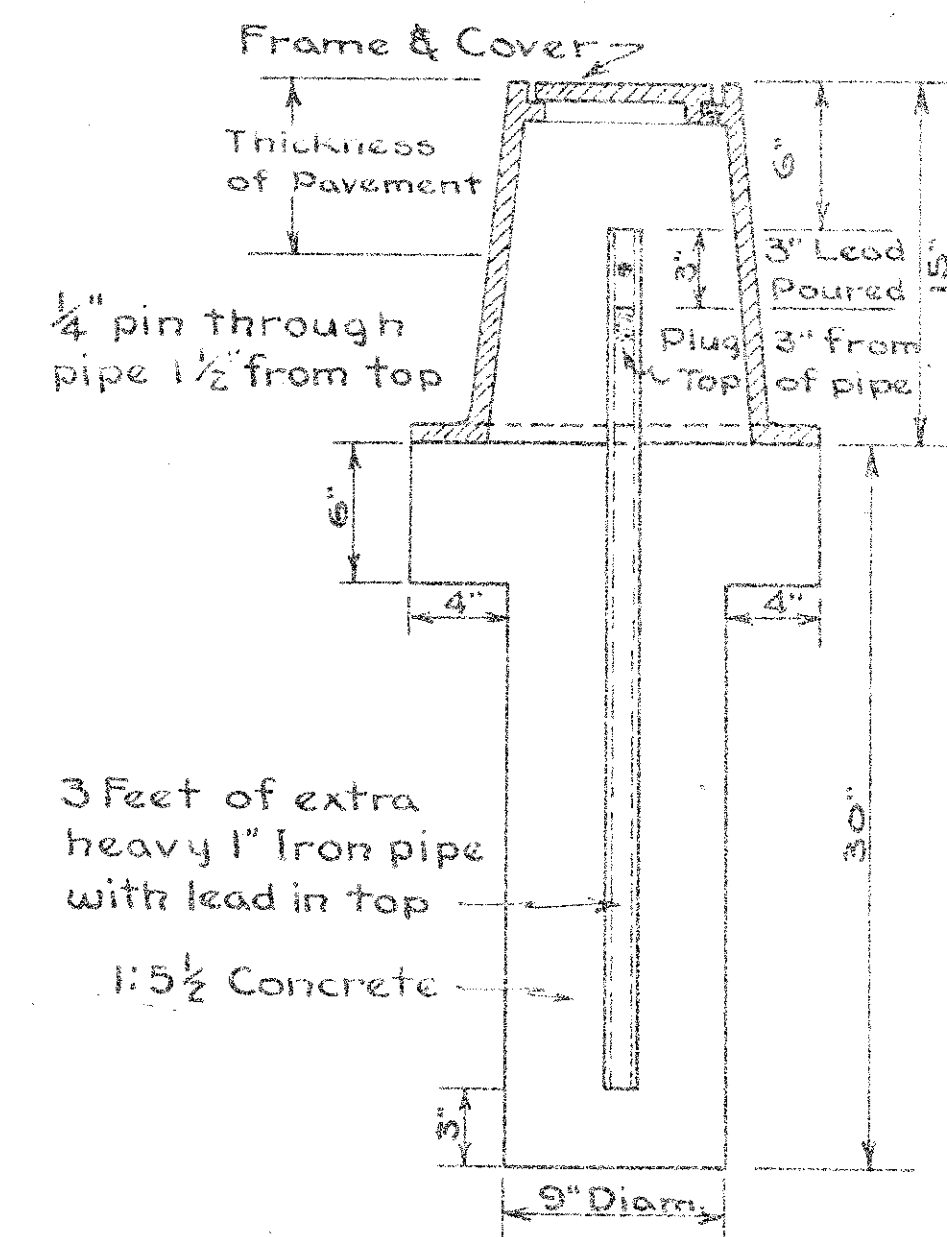
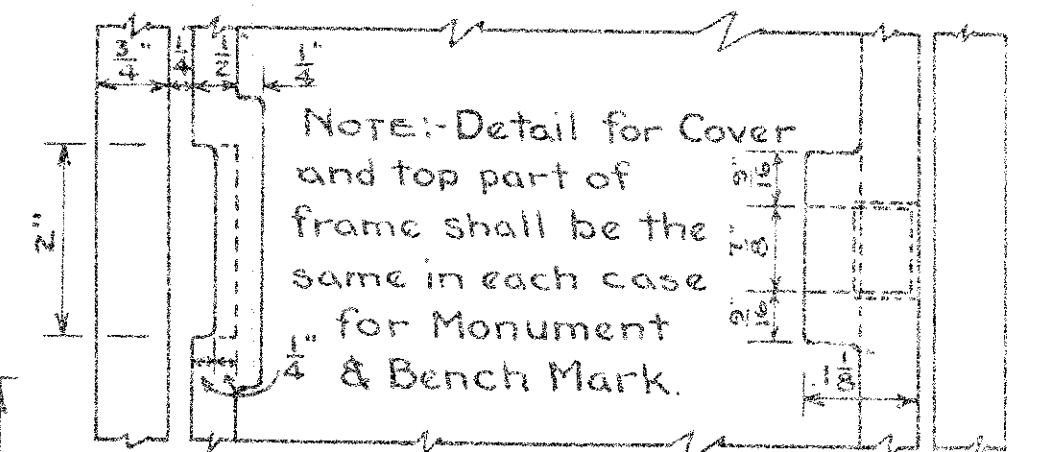
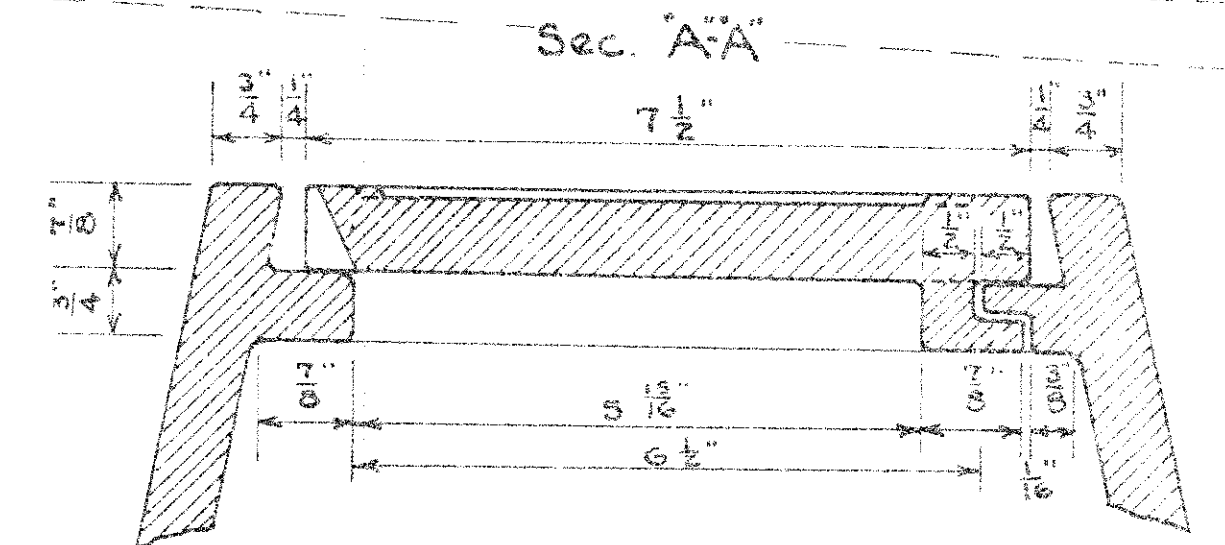
DETAIL OF BENCH MARK ASSEMBLY
Scale 1/2"=1'



DETAIL OF BRONZE PLATE & GALVANIZED PIPE ASSEMBLY
Scale 1/2"=1'



MONUMENT FRAME AND COVER
Scale 3"=1'



DETAIL OF MONUMENT ASSEMBLY
Scale 1/2"=1'