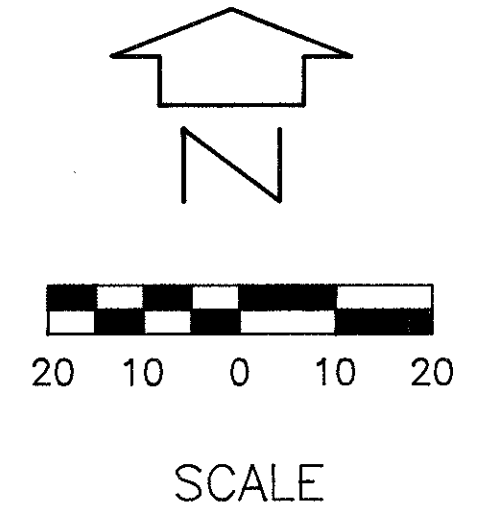
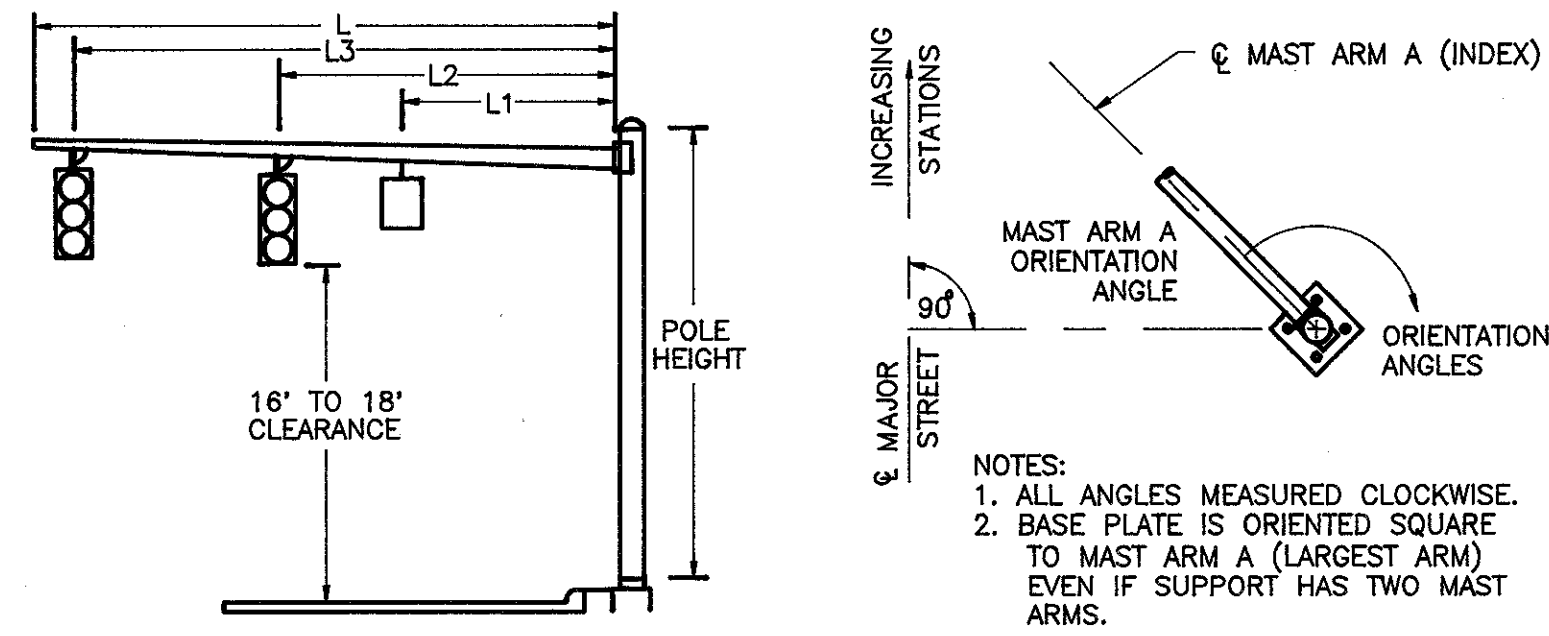
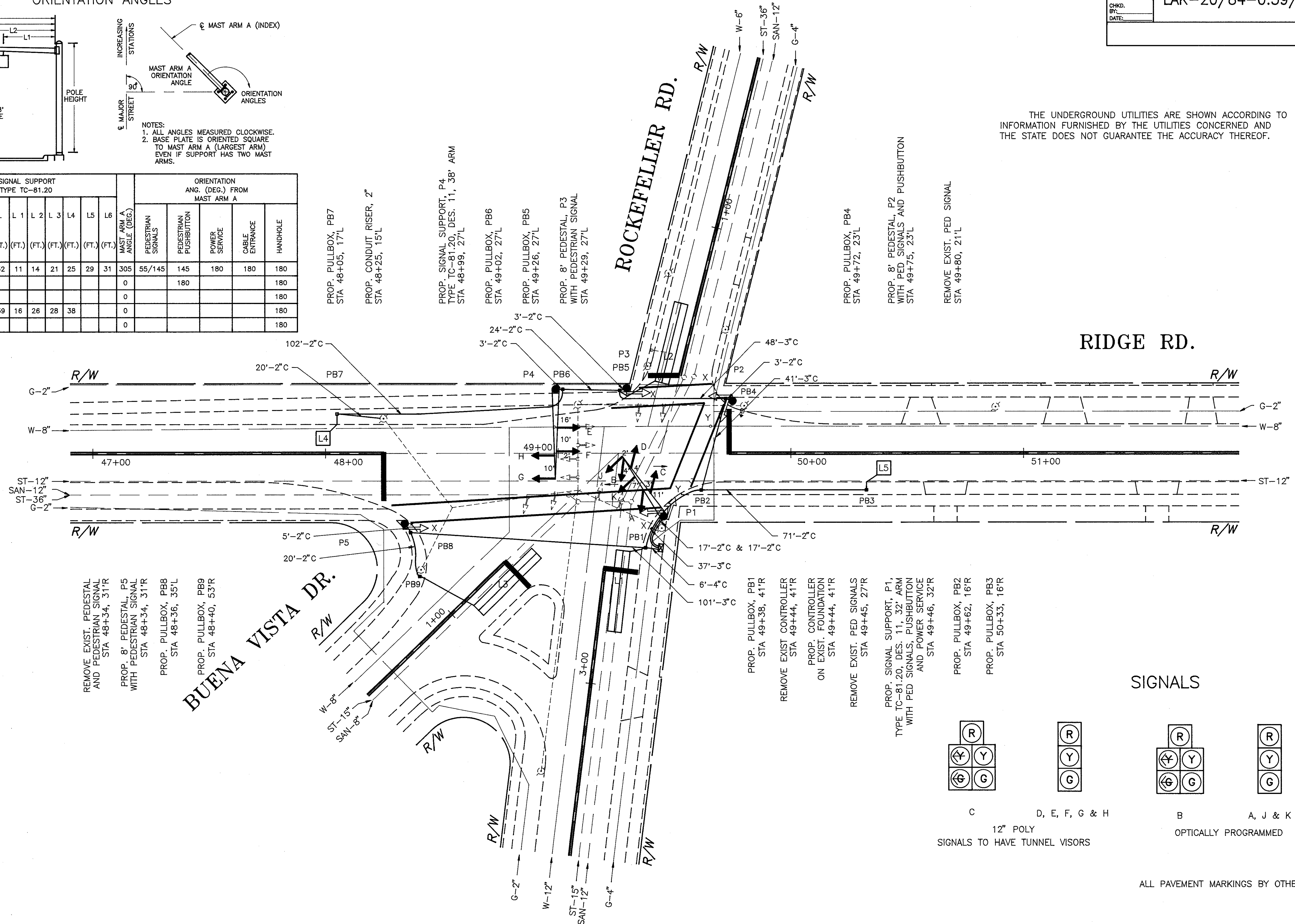


ORIENTATION ANGLES



THE UNDERGROUND UTILITIES ARE SHOWN ACCORDING TO INFORMATION FURNISHED BY THE UTILITIES CONCERNED AND THE STATE DOES NOT GUARANTEE THE ACCURACY THEREOF.

SUPPORT NO.	DESIGN NO.	FOUNDATION		SIGNAL SUPPORT TYPE TC-81.20						ORIENTATION ANG. (DEG.) FROM MAST ARM A						
		STATION	OFFSET	L (FT.)	L 1 (FT.)	L 2 (FT.)	L 3 (FT.)	L 4 (FT.)	L 5 (FT.)	L 6 (FT.)	MAST ARM A ANGLE (DEG.)	PEDESTRIAN SIGNALS	PEDESTRIAN PUSHBUTTON	POWER SERVICE	CABLE ENTRANCE	HANDHOLE
P1	11	49+46	32'R	32	11	14	21	25	29	31	305	55/145	145	180	180	180
P2	PED	49+75	23'L								0		180			180
P3	PED	49+29	27'L								0					180
P4	11	48+99	27'L	39	16	26	28	38			0					180
P5	PED	48+34	31'R								0					180



REMOVE EXIST. PEDESTAL AND PEDESTRIAN SIGNAL STA 48+34, 31'R
 PROP. 8' PEDESTAL, P5 WITH PEDESTRIAN SIGNAL STA 48+34, 31'R
 PROP. PULLBOX, PB8 STA 48+36, 35'L
 PROP. PULLBOX, PB9 STA 48+40, 53'R

BUENA VISTA DR.

PROP. PULLBOX, PB7 STA 48+05, 17'L
 PROP. CONDUIT RISER, 2" STA 48+25, 15'L

PROP. SIGNAL SUPPORT, P4 TYPE TC-81.20, DES. 11, 38' ARM STA 48+99, 27'L

PROP. PULLBOX, PB6 STA 49+02, 27'L
 PROP. PULLBOX, PB5 STA 49+26, 27'L

PROP. 8' PEDESTAL, P3 WITH PEDESTRIAN SIGNAL STA 49+29, 27'L

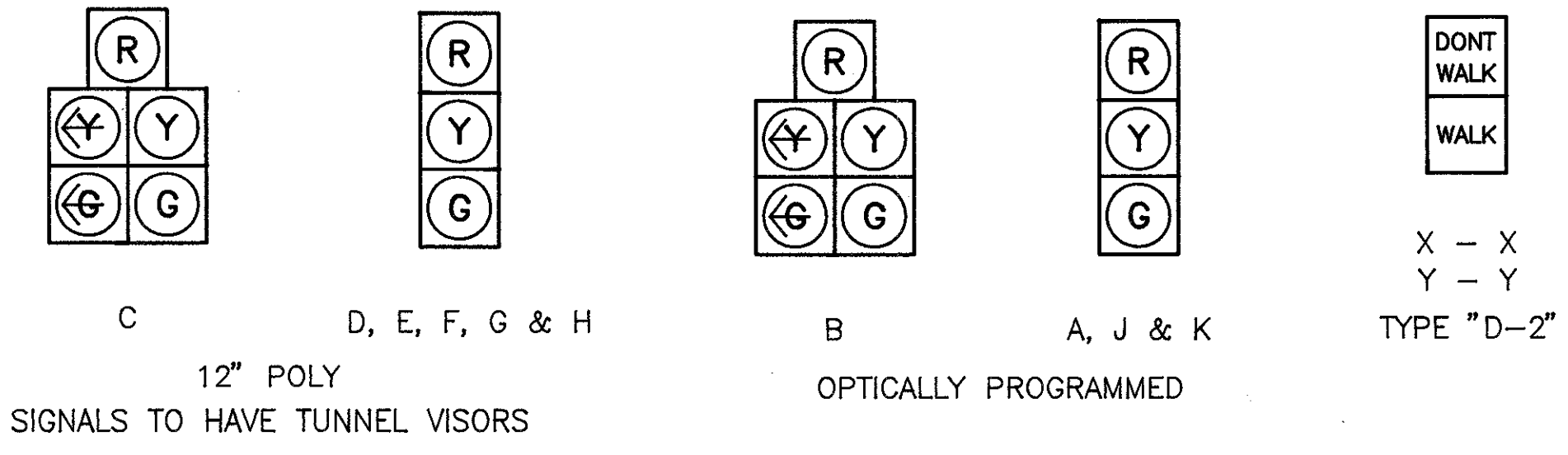
PROP. PULLBOX, PB4 STA 49+72, 23'L

PROP. 8' PEDESTAL, P2 WITH PED SIGNALS AND PUSHBUTTON STA 49+75, 23'L

REMOVE EXIST. PED SIGNAL STA 49+80, 21'L

PROP. PULLBOX, PB1 STA 49+38, 41'R
 REMOVE EXIST. CONTROLLER STA 49+44, 41'R
 PROP. CONTROLLER ON EXIST. FOUNDATION STA 49+44, 41'R
 REMOVE EXIST. PED SIGNALS STA 49+45, 27'R
 PROP. SIGNAL SUPPORT, P1, TYPE TC-81.20, DES. 11, 32' ARM WITH PED SIGNALS, PUSHBUTTON AND POWER SERVICE STA 49+46, 32'R
 PROP. PULLBOX, PB2 STA 49+62, 16'R
 PROP. PULLBOX, PB3 STA 50+33, 16'R

SIGNALS



ALL PAVEMENT MARKINGS BY OTHERS