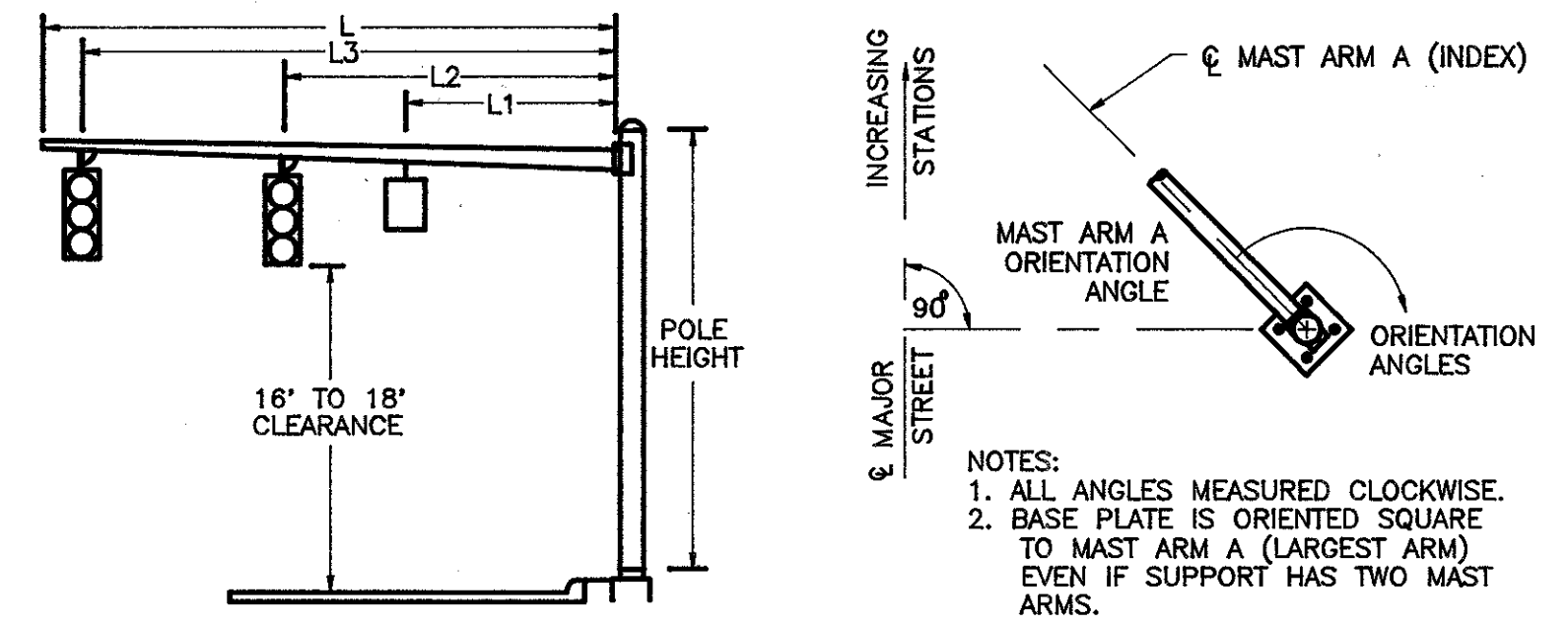
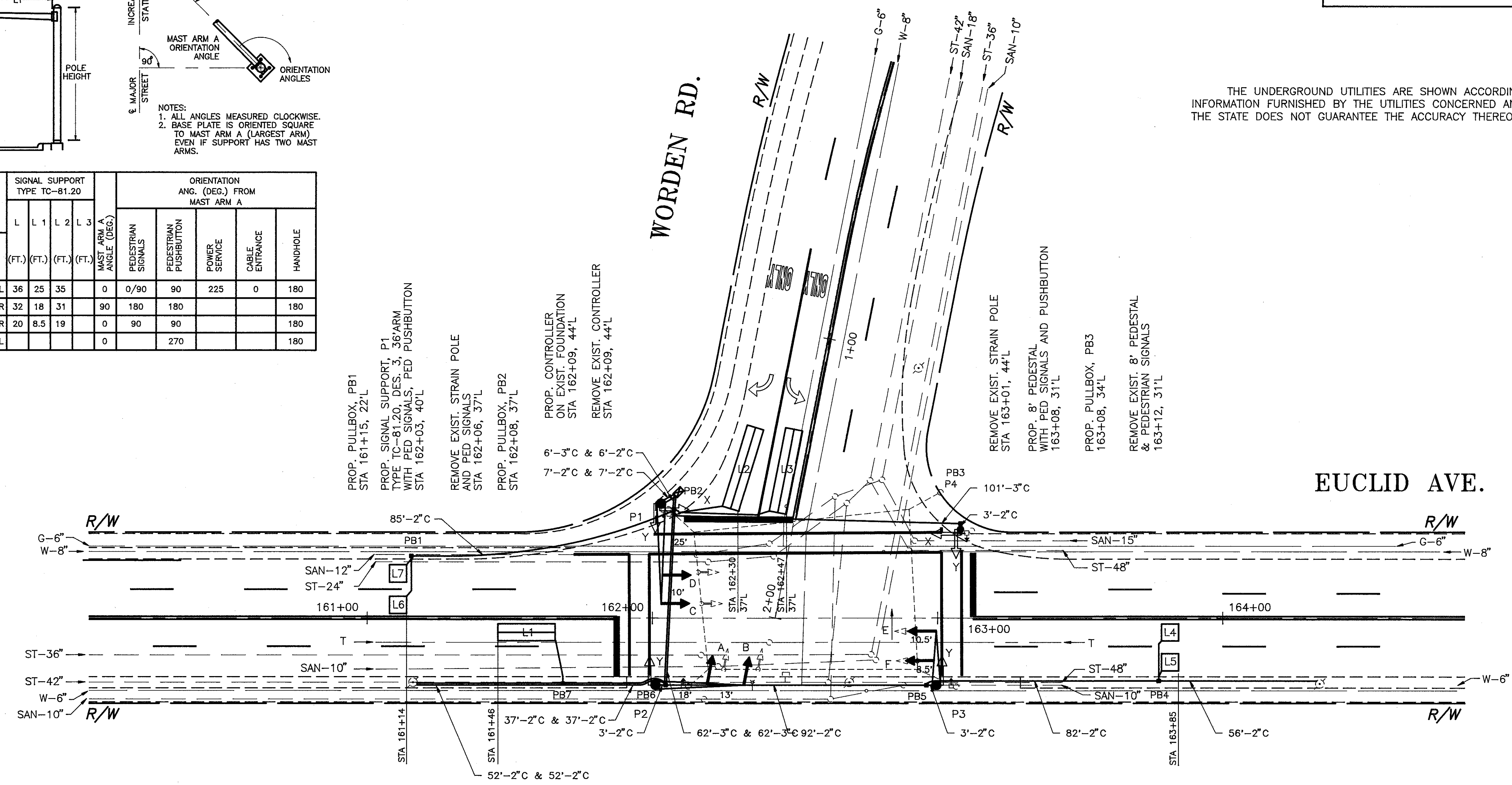
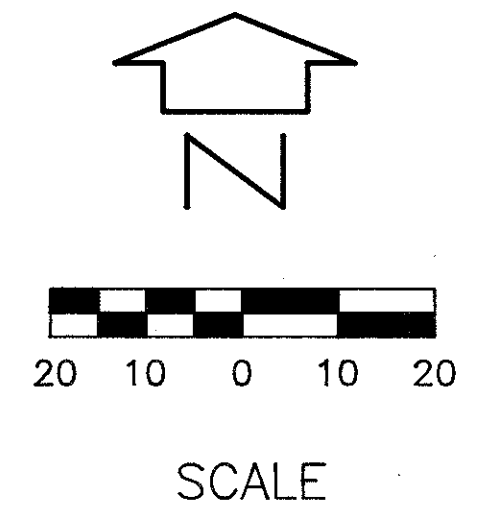


ORIENTATION ANGLES

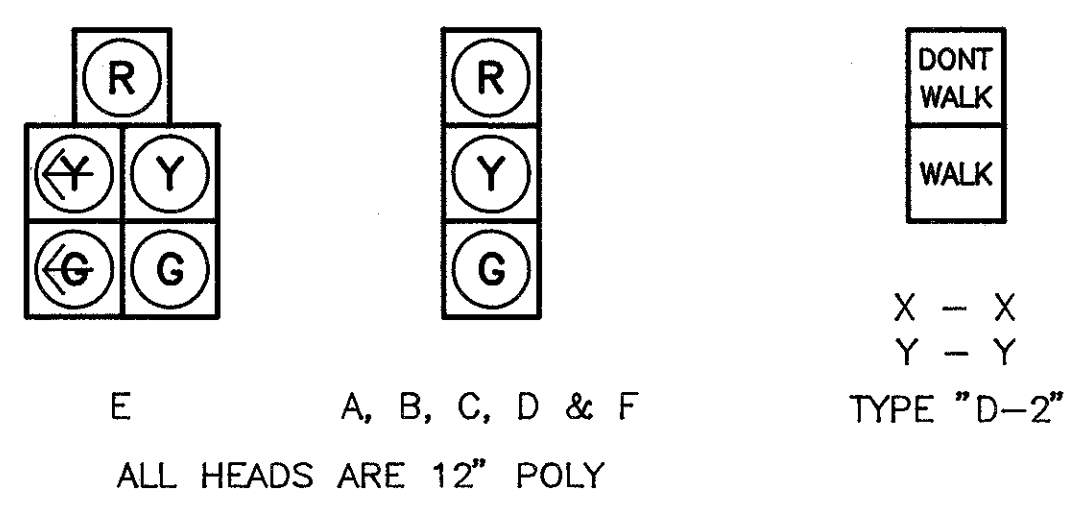


SUPPORT NO.	DESIGN NO.	FOUNDATION	SIGNAL SUPPORT TYPE TC-81.20				ORIENTATION ANG. (DEG.) FROM MAST ARM A						
			L	L 1	L 2	L 3	MAST ARM A ANGLE (DEG.)	PEDESTRIAN SIGNALS	PEDESTRIAN PUSHBUTTON	POWER SERVICE	CABLE ENTRANCE	HANDHOLE	
P1	3	162+03	40'L	36	25	35		0	0/90	90	225	0	180
P2	3	162+01	24'R	32	18	31		90	180	180			180
P3	1	162+99	24'R	20	8.5	19		0	90	90			180
P4	PED	163+08	31'L					0		270			180

THE UNDERGROUND UTILITIES ARE SHOWN ACCORDING TO INFORMATION FURNISHED BY THE UTILITIES CONCERNED AND THE STATE DOES NOT GUARANTEE THE ACCURACY THEREOF.



SIGNALS



PROP. CONDUIT RISER, 2" STA 161+16, 23'R
PROP. POWER SERVICE STA 161+16, 23'R

PROP. PULLBOX, PB7 STA 161+68, 23'R

PROP. SIGNAL SUPPORT, P2, TYPE TC-81.20, DES. 3, 32' ARM WITH PED SIGNAL & PUSHBUTTON STA 162+01, 23'R

PROP. PULLBOX, PB6 STA 162+04, 23'R

REMOVE EXIST. STRAIN POLE & PEDESTRIAN SIGNAL STA 162+12, 23'R

PROP. PULLBOX, PB5 STA 162+96, 23'R

PROP. SIGNAL SUPPORT, P3, TYPE TC-81.20, DES. 1, 20' ARM WITH PED SIGNAL & PUSHBUTTON STA 162+99, 23'R

REMOVE EXIST. STRAIN POLE & PEDESTRIAN SIGNAL STA 163+07, 23'R

PROP. PULLBOX, PB4 STA 163+78, 22'R

PROP. CONDUIT RISER, 2" STA 164+34, 22'R