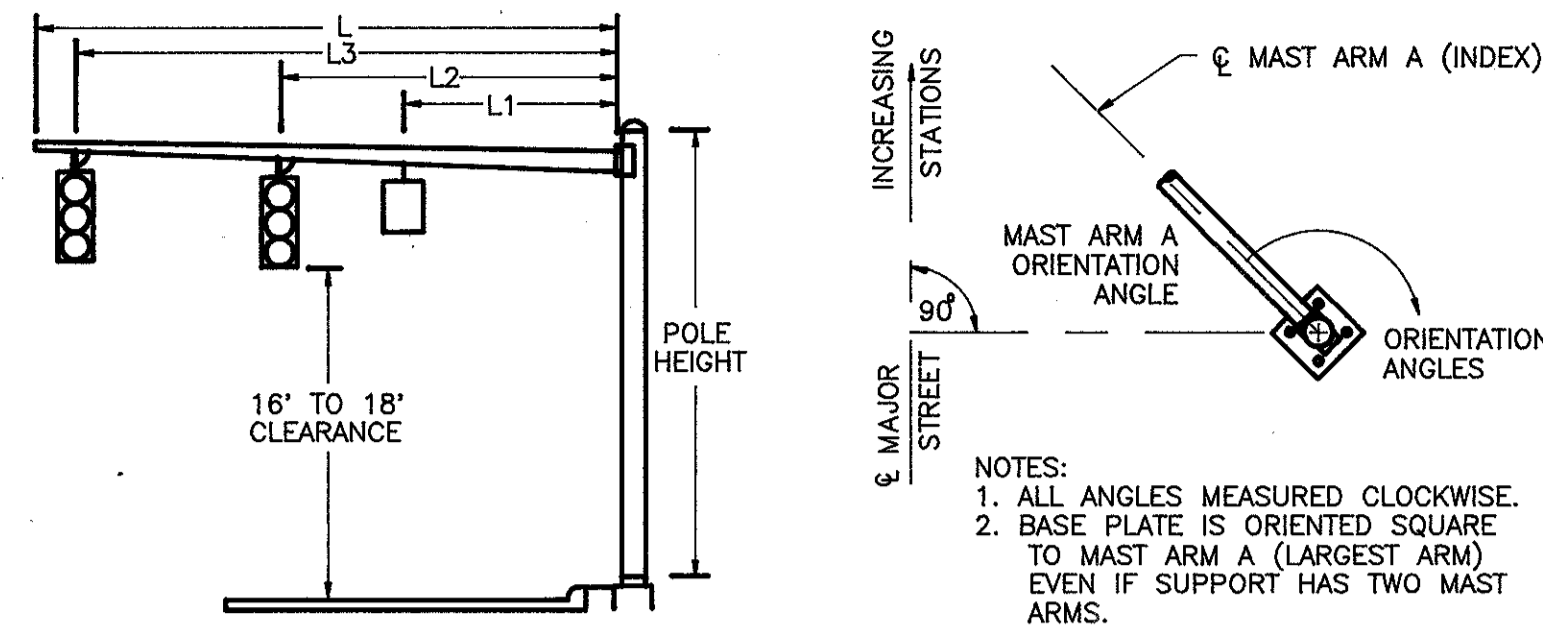
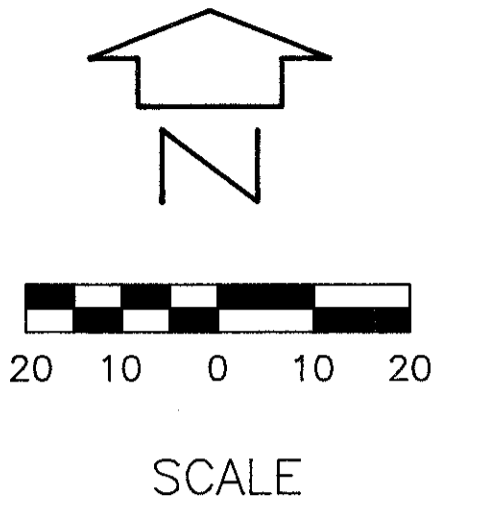


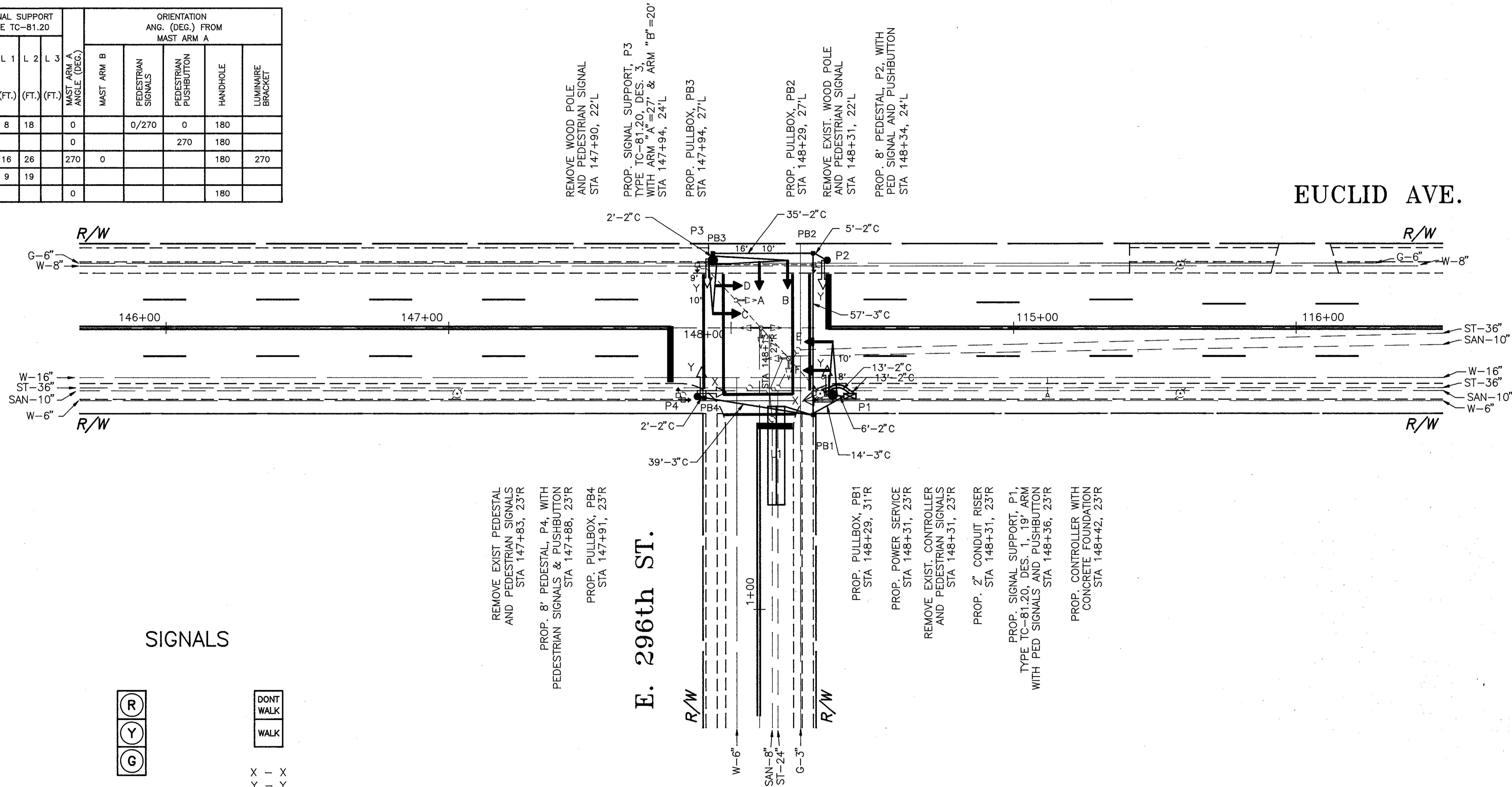
ORIENTATION ANGLES



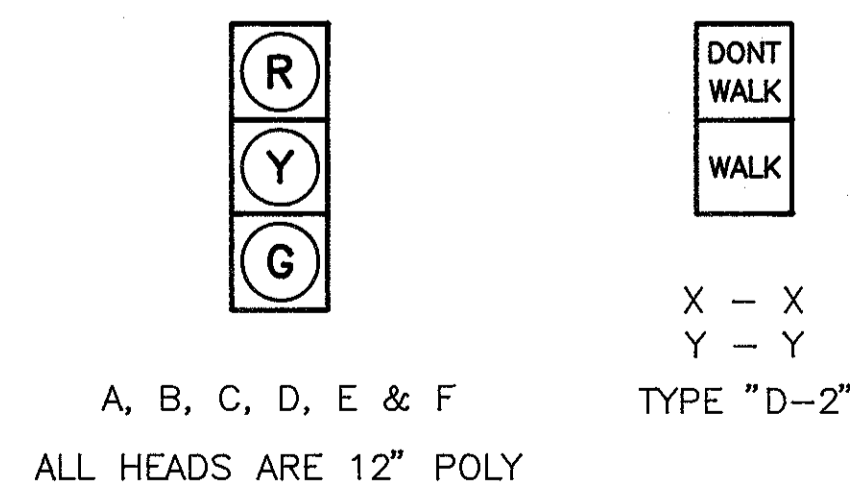
THE UNDERGROUND UTILITIES ARE SHOWN ACCORDING TO INFORMATION FURNISHED BY THE UTILITIES CONCERNED AND THE STATE DOES NOT GUARANTEE THE ACCURACY THEREOF.



SUPPORT NO.	DESIGN NO.	STATION	FOUNDATION OFFSET	SIGNAL SUPPORT TYPE TC-81.20				ORIENTATION ANG. (DEG.) FROM MAST ARM A							
				L (FT.)	L 1 (FT.)	L 2 (FT.)	L 3 (FT.)	MAST ARM A ANGLE (DEG.)	MAST ARM B	PEDESTRIAN SIGNALS	PEDESTRIAN PUSHBUTTON	HANDHOLE	LUMINAIRE BRACKET		
P1	1	114+41	29'R	19	8	18	0					0/270	0	180	
P2	PED	114+40	27'L				0						270	180	
P3	3	113+88	24'L	27	16	26	270	0						180	270
P4	PED	113+71	29'R				0							180	



SIGNALS



ALL PAVEMENT MARKINGS BY OTHERS