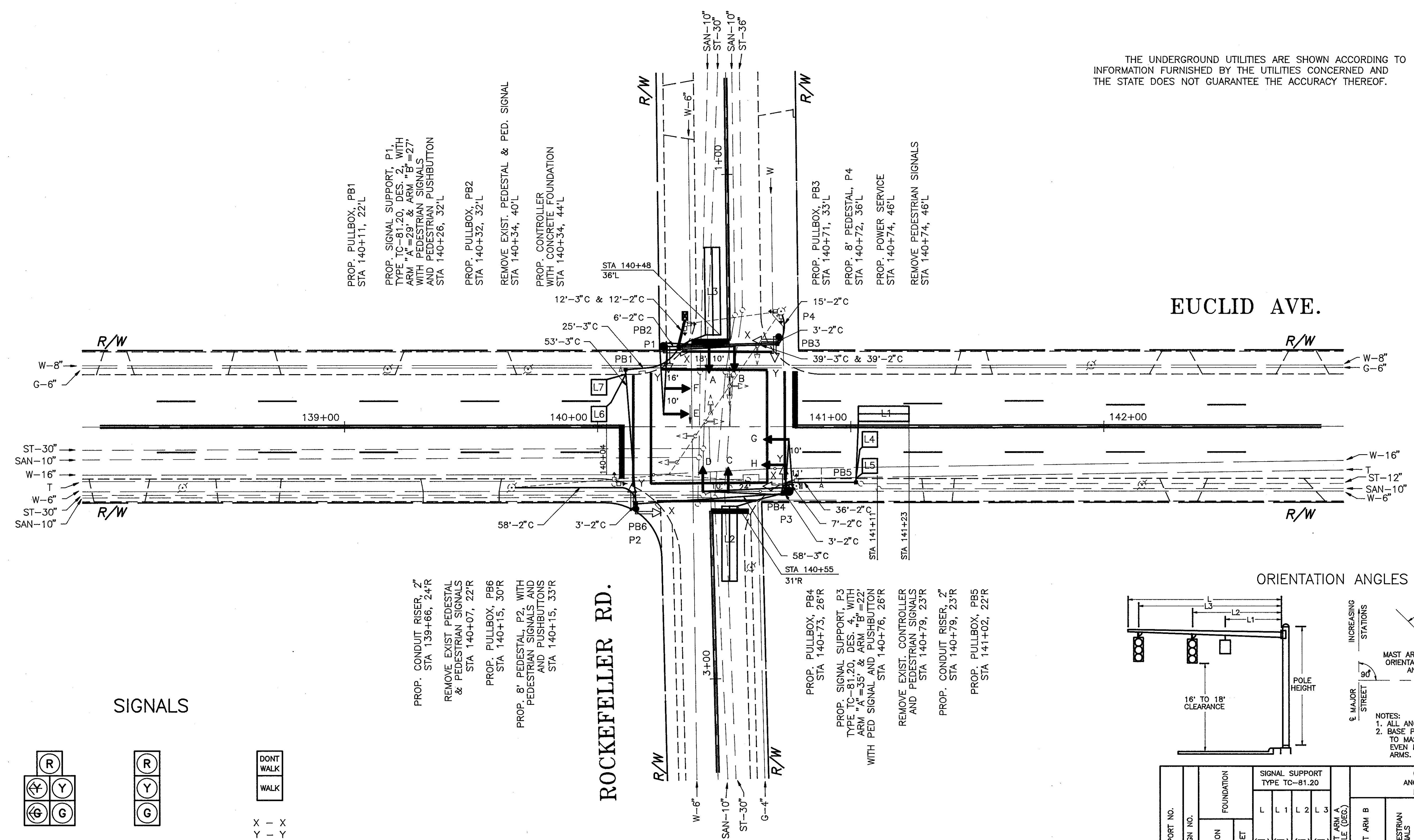
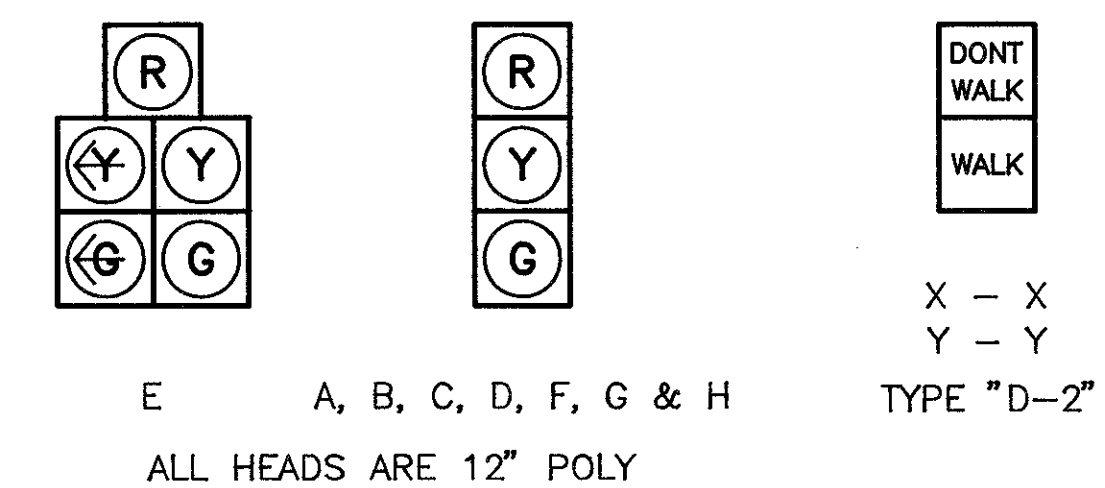


THE UNDERGROUND UTILITIES ARE SHOWN ACCORDING TO INFORMATION FURNISHED BY THE UTILITIES CONCERNED AND THE STATE DOES NOT GUARANTEE THE ACCURACY THEREOF.



SIGNALS



NOTE:
 ALL PAVEMENT MARKINGS BY OTHERS

PROP. CONDUIT RISER, 2"
 STA 139+66, 24'R
 REMOVE EXIST PEDESTAL & PEDESTRIAN SIGNALS
 STA 140+07, 22'R
 PROP. PULLBOX, PB6
 STA 140+15, 30'R
 PROP. 8' PEDESTAL, P2, WITH PEDESTRIAN SIGNALS AND PUSHBUTTONS
 STA 140+15, 33'R

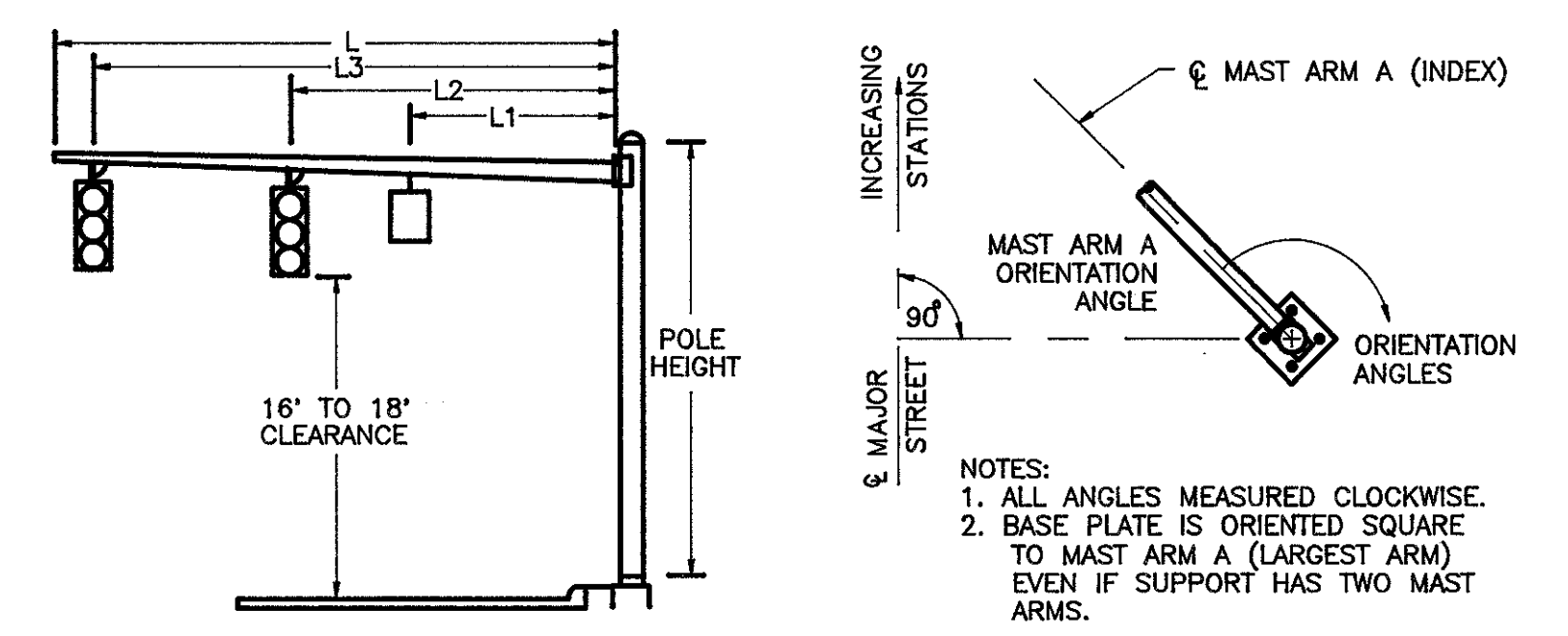
PROP. PULLBOX, PB1
 STA 140+11, 22'L
 PROP. SIGNAL SUPPORT, P1, TYPE TC-81.20, DES. 2, WITH ARM "A"=29' & ARM "B"=27' WITH PEDESTRIAN SIGNALS AND PEDESTRIAN PUSHBUTTON
 STA 140+26, 32'L
 PROP. PULLBOX, PB2
 STA 140+32, 32'L
 REMOVE EXIST. PEDESTAL & PED. SIGNAL
 STA 140+34, 40'L
 PROP. CONTROLLER WITH CONCRETE FOUNDATION
 STA 140+34, 44'L

PROP. PULLBOX, PB3
 STA 140+71, 33'L
 PROP. 8' PEDESTAL, P4
 STA 140+72, 36'L
 PROP. POWER SERVICE
 STA 140+74, 46'L
 REMOVE PEDESTRIAN SIGNALS
 STA 140+74, 46'L

PROP. PULLBOX, PB4
 STA 140+73, 26'R
 PROP. SIGNAL SUPPORT, P3
 TYPE TC-81.20, DES. 4, WITH ARM "A"=35' & ARM "B"=22' WITH PED SIGNAL AND PUSHBUTTON
 STA 140+76, 26'R
 REMOVE EXIST. CONTROLLER AND PEDESTRIAN SIGNALS
 STA 140+79, 23'R
 PROP. CONDUIT RISER, 2"
 STA 140+79, 23'R
 PROP. PULLBOX, PB5
 STA 141+02, 22'R

PROP. CONDUIT RISER, 2"
 STA 139+66, 24'R
 REMOVE EXIST PEDESTAL & PEDESTRIAN SIGNALS
 STA 140+07, 22'R
 PROP. PULLBOX, PB6
 STA 140+15, 30'R
 PROP. 8' PEDESTAL, P2, WITH PEDESTRIAN SIGNALS AND PUSHBUTTONS
 STA 140+15, 33'R

ORIENTATION ANGLES



SUPPORT NO.	DESIGN NO.	FOUNDATION		SIGNAL SUPPORT TYPE TC-81.20				ORIENTATION ANG. (DEG.) FROM MAST ARM A					
		STATION	OFFSET	L (FT.)	L 1 (FT.)	L 2 (FT.)	L 3 (FT.)	MAST ARM A ANGLE (DEG.)	MAST ARM B	PEDESTRIAN SIGNALS	PEDESTRIAN PUSHBUTTONS	HANDHOLE	LUMINAIRE BRACKET
P1	4	140+26	32'L	29	18	28		270	90	0/90	90	180	90
				27	16	26							
P2	PED	140+15	33'R					0			0	180	
P3	4	140+76	26'R	35	24	34		270	90	0/90	270	180	90
				22	11	21							
P4	PED	140+72	36'L					0			90	180	