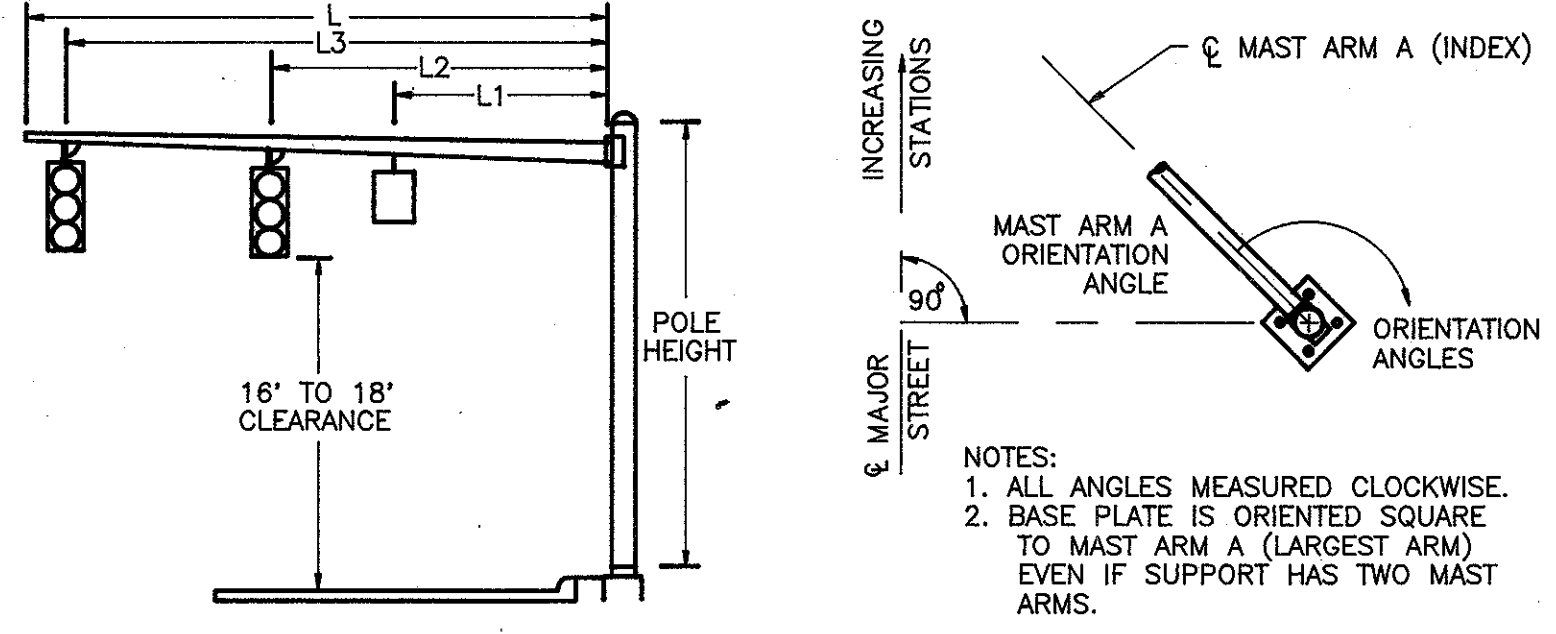
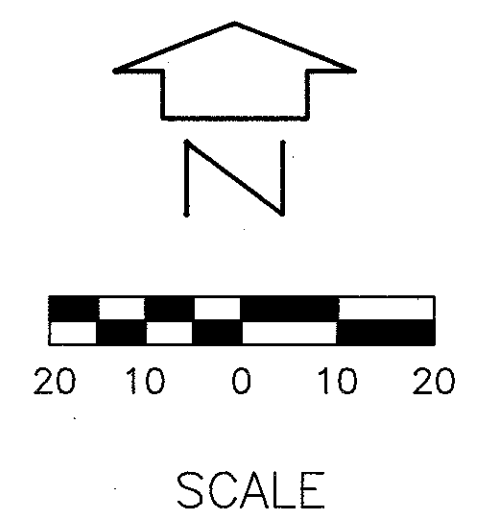


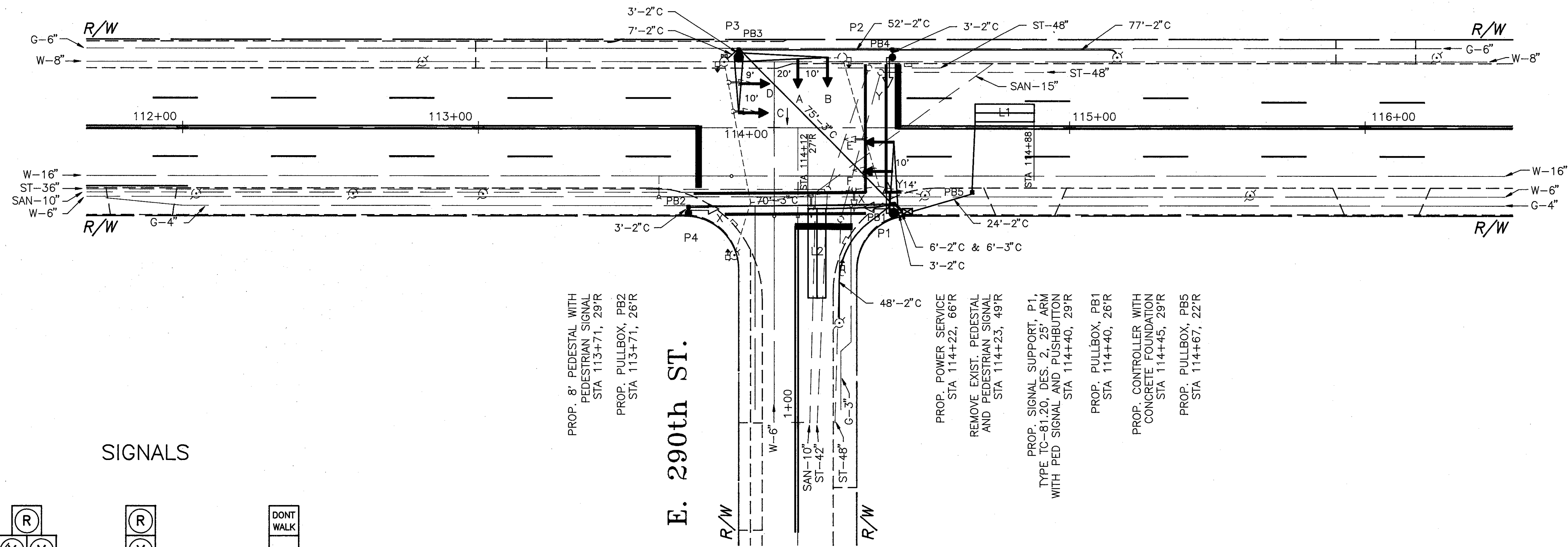
ORIENTATION ANGLES



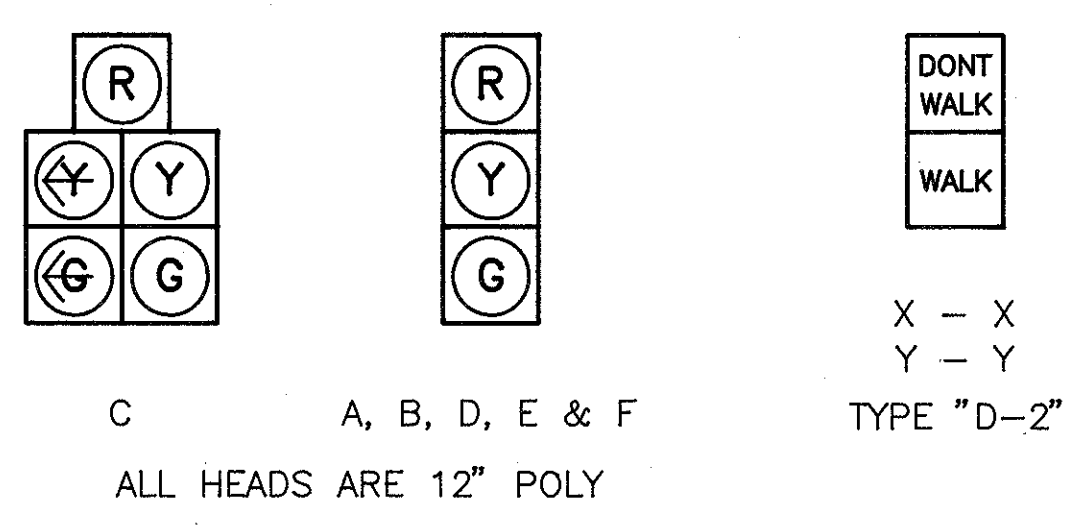
THE UNDERGROUND UTILITIES ARE SHOWN ACCORDING TO INFORMATION FURNISHED BY THE UTILITIES CONCERNED AND THE STATE DOES NOT GUARANTEE THE ACCURACY THEREOF.



SUPPORT NO.	DESIGN NO.	FOUNDATION		SIGNAL SUPPORT TYPE TC-81.20				ORIENTATION ANG. (DEG.) FROM MAST ARM A					
		STATION	OFFSET	L (FT.)	L1 (FT.)	L2 (FT.)	L3 (FT.)	MAST ARM A ANGLE (DEG.)	MAST ARM B	PEDESTRIAN SIGNALS	PEDESTRIAN PUSHBUTTON	HANDHOLE	LUMINAIRE BRACKET
P1	2	114+41	29'R	25	14	24		0		0/270	0	180	
P2	PED	114+40	27'L					0			270	180	
P3	3	113+88	24'L	31	20	30		270	90			180	270
				20	9	19							
P4	PED	113+71	29'R					0				180	



SIGNALS



ALL PAVEMENT MARKINGS BY OTHERS