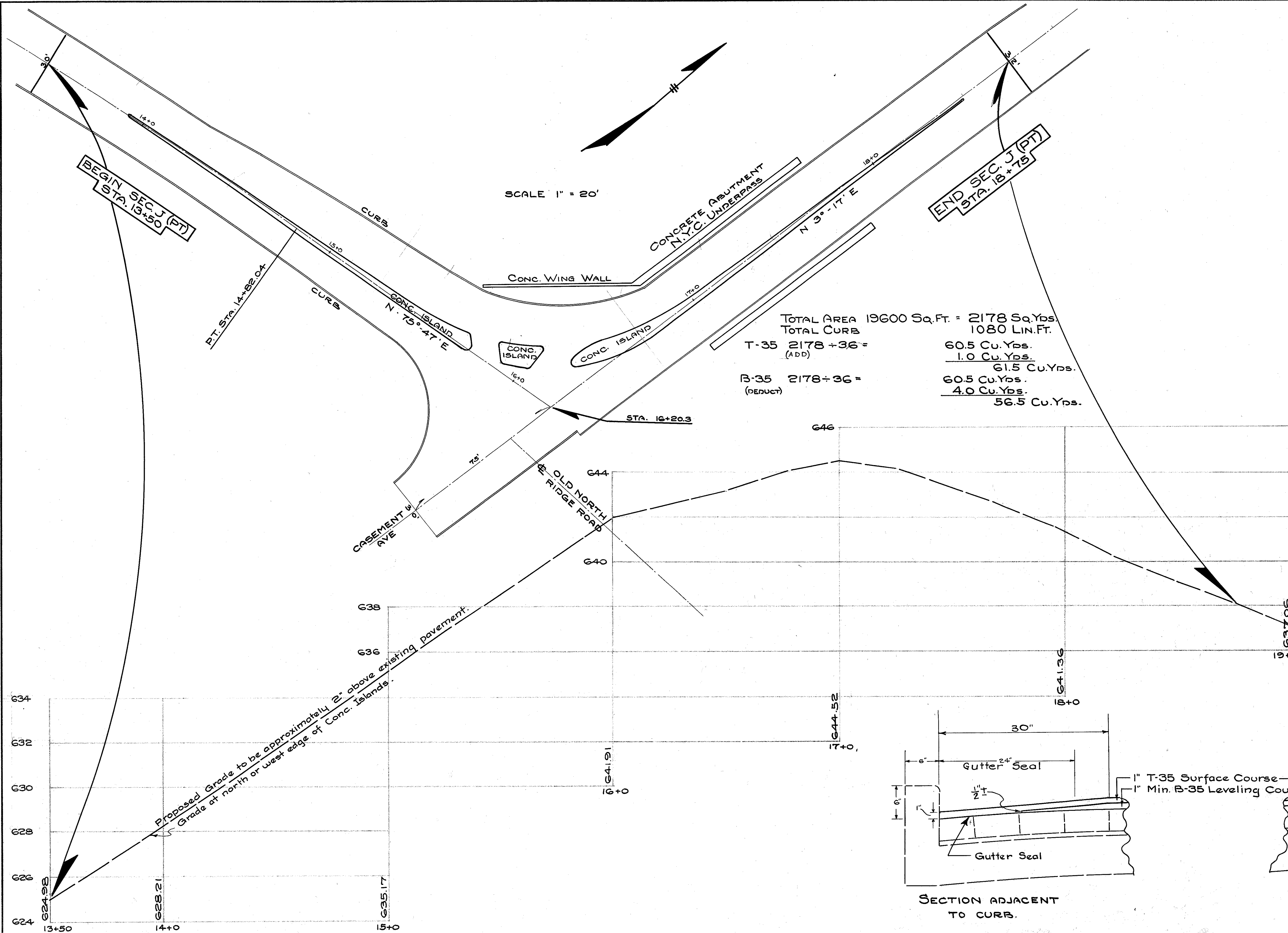


FED. RD. DIST. NO.	STATE	PROJECT	FISCAL YEAR
10	OHIO		1943

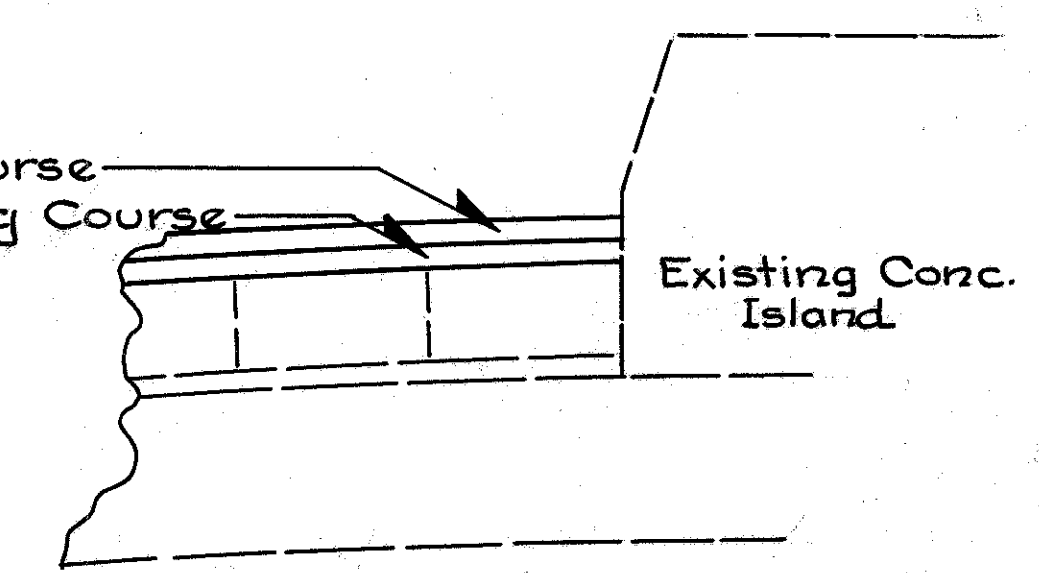
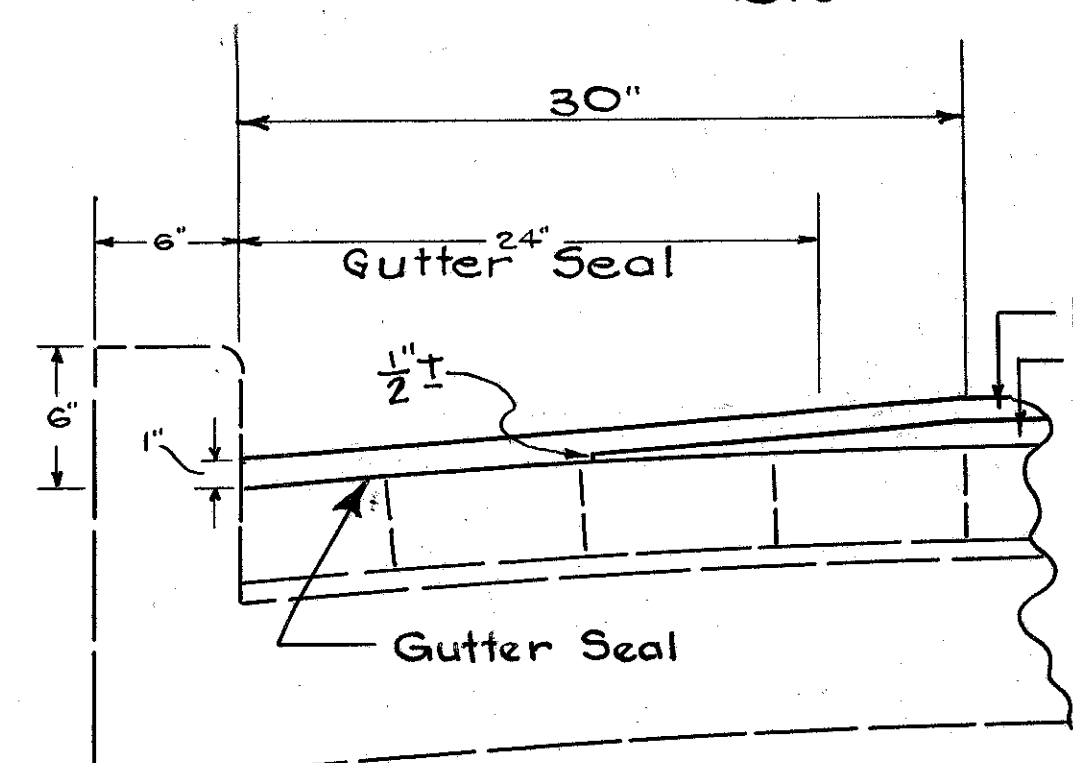
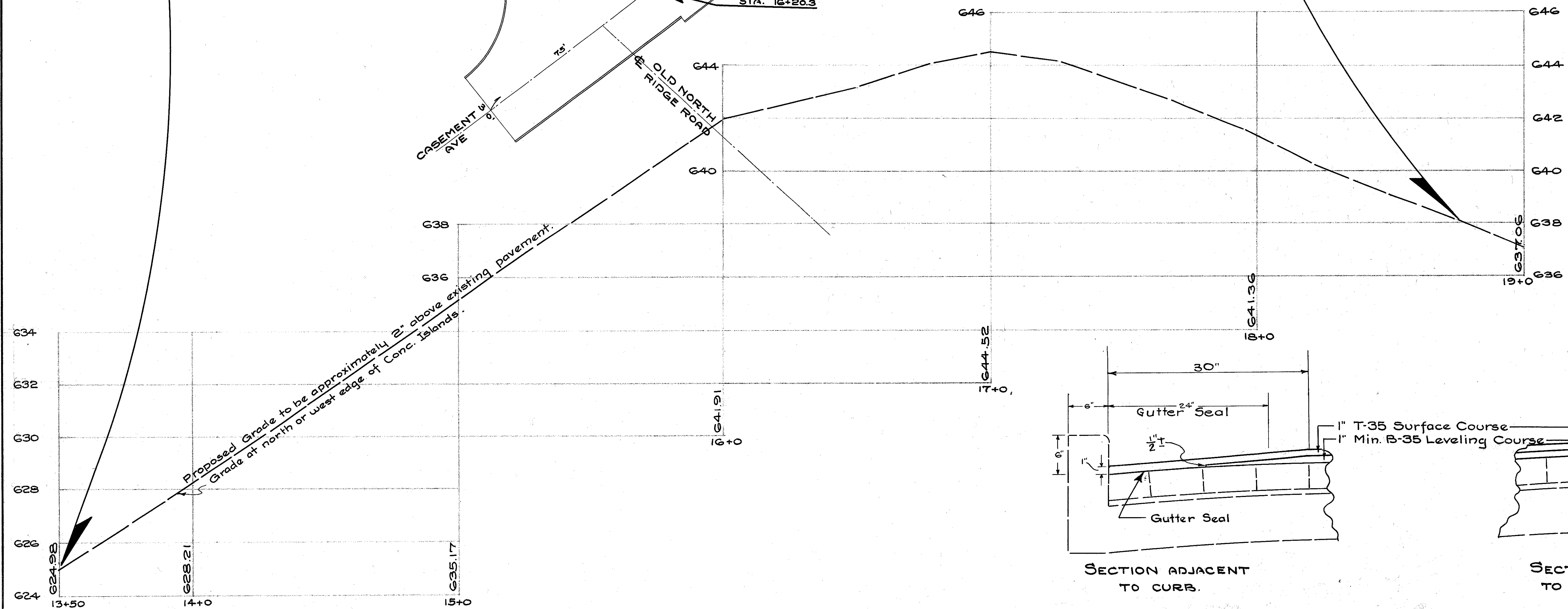
7
8

LAKE COUNTY
S.H. 2 MENTOR (PT)
HI-G PAINESVILLE (PT)
J (PT)



TOTAL AREA 19600 Sq.Ft. = 2178 Sq.Yds.
TOTAL CURB 1080 LIN.FT.

T-35	2178 ÷ 36 =	60.5 Cu.Yds.
(ADD)		1.0 Cu.Yds.
		61.5 Cu.Yds.
B-35	2178 ÷ 36 =	60.5 Cu.Yds.
(REDUCT)		4.0 Cu.Yds.
		56.5 Cu.Yds.



INTERSECTION DETAIL