

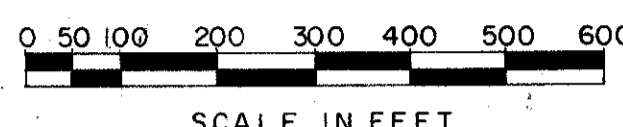
# CENTERLINE SURVEY PLAT

MENTOR AVENUE, U.S. ROUTE 20  
WILLOUGHBY AND MENTOR TWP.

ION, R 9W  
TRACK 3 TRACK 4 TRACK 5  
LOT 7 LOTS 1,2,4,5,7,8 BLAKE LOT  
LAKE COUNTY, OHIO  
CITY OF MENTOR

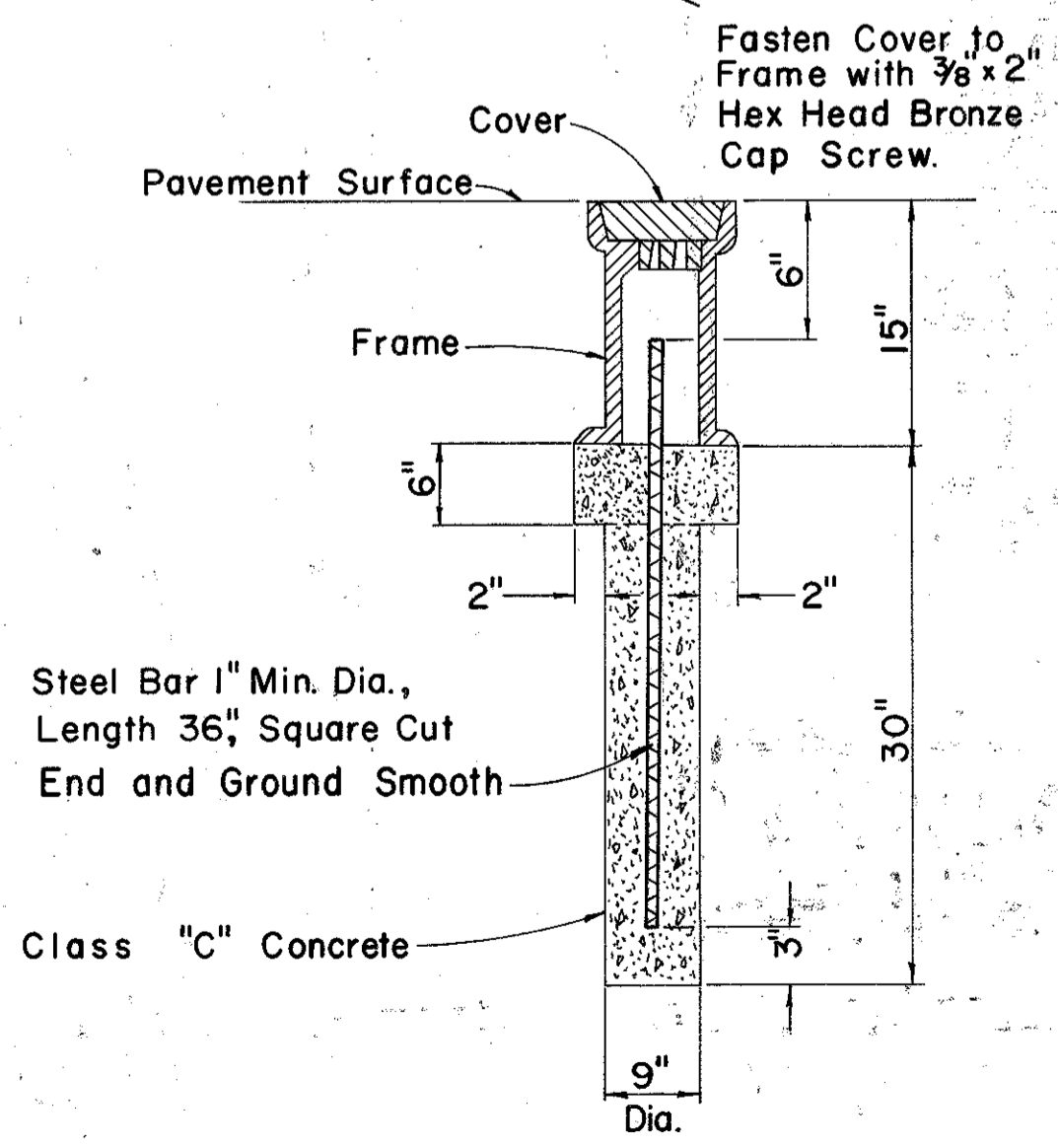
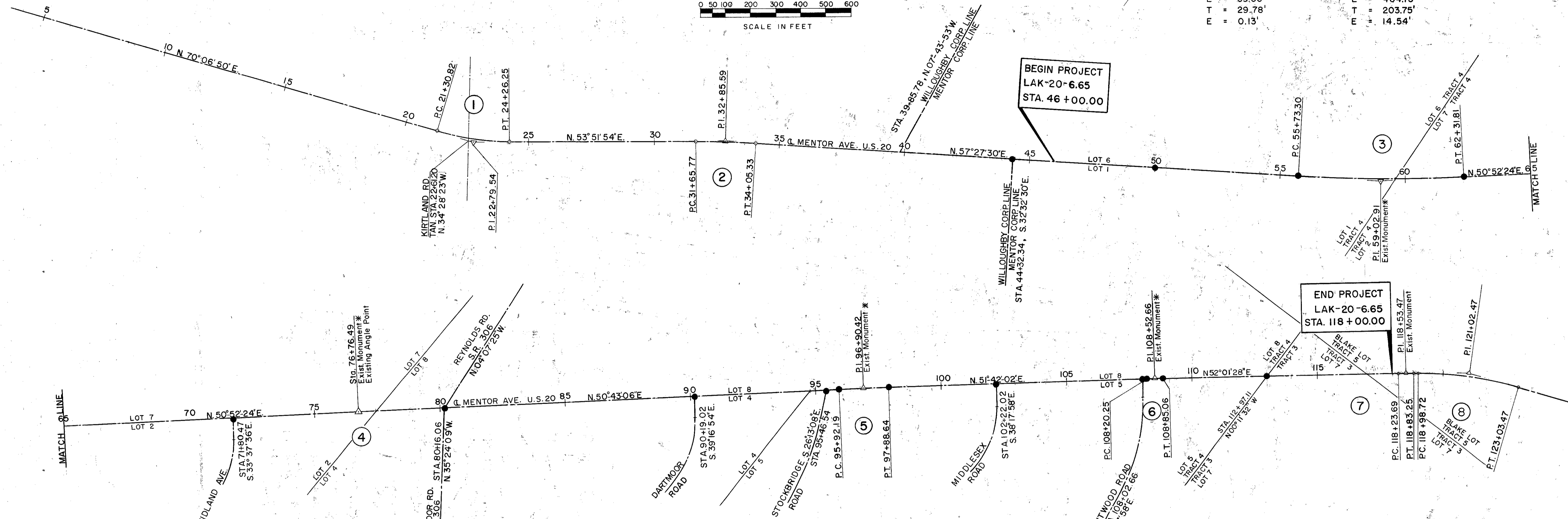
FHWA REGION	STATE	PROJECT
5	OHIO	

94  
114  
1  
21



7	P.I. = STA. 118+53.47 Δ = 1°01'00" Dc = 4°42'25" R = 3356.51' L = 59.56' T = 29.78' E = 0.13'	8	P.I. = STA. 121+02.47 Δ = 16°19'29.4" Dc = 4°02'00" R = 1420.56' L = 404.75' T = 203.75' E = 14.54'
---	---	---	---

BY	DATE	DESCRIPTION
WT	10-18-88	RECORDING DATA ADDED



**LEGEND**  
● MONUMENT ASSEMBLY  
\* EXIST. MONUMENT ADJUSTED TO GRADE

MONUMENT ASSEMBLY		
(To be placed on centerline of constr. at the following locations during construction.)		
Station	Station	Existing Monument Adjusted To Grade
STA. 44 + 32.34	STA. 95 + 46.54	STA. 59 + 02.91
STA. 50 + 00.00	STA. 95 + 32.19	STA. 76 + 76.49
STA. 55 + 73.30	STA. 97 + 88.64	STA. 96 + 90.42
STA. 62 + 31.81		STA. 108 + 52.66
STA. 71 + 80.47	STA. 102 + 22.02	
STA. 80 + 16.06	STA. 108 + 02.66	
STA. 90 + 19.02	STA. 108 + 20.25	
	STA. 108 + 85.06	
	STA. 112 + 97.11	

**CURVE DATA**

1	P.I. = STA. 22+79.54 Δ = 16°14'56" Dc = 5°30'00" R = 1041.74' L = 295.43' T = 148.72' E = 10.56'	2	P.I. = STA. 32+85.59 Δ = 3°35'36" Dc = 1°30'00" R = 3819.72' L = 239.56' T = 119.82' E = 1.88'	3	P.I. = STA. 59+02.91 Δ = 6°35'06" Dc = 1°00'00" R = 5729.58' L = 658.51' T = 329.61' E = 9.47'
---	--	---	--	---	--

4	NOTE: At Sta. 76+76.49 Δ = 0°09'18" L.	5	P.I. = STA. 96+90.42 Δ = 0°58'56" Dc = 0°30'00" R = 11459.16' L = 196.45' T = 98.23' E = 0.42'	6	P.I. = STA. 108+52.66 Δ = 0°19'26" Dc = 0°30'00" R = 11459.16' L = 64.81' T = 32.41' E = 0.05'
---	---	---	--	---	--

RECEIVED OCT 2, 1985 @ 11:00 A.M.  
RECORDED OCT 2, 1985  
VOL. 5 PAGE 20

VAUGHN R. BETZER  
COUNTY RECORDER LAKE COUNTY

I HEREBY CERTIFY THAT THIS PLAT IS A TRUE DELINEATION OF A SURVEY MADE FOR THE CITY OF MENTOR, OHIO IN 1981 BY FRANKLIN CONSULTANTS INC. COLUMBUS, OHIO.

*Robert O. Brenner*  
REGISTERED SURVEYOR  
No. 5987

TRANSFER NOT NECESSARY DATE April 18, 84  
DATE October 2, 1985  
*Kathleen M. Gattler*  
Lake County Auditor CWS

SIGNED *Walter A. Galt*  
DATE 5/18/84 DISTRICT DEPUTY DIRECTOR

MONUMENT ASSEMBLY  
(For Details Not Shown See Std. Dwg. MC-1)