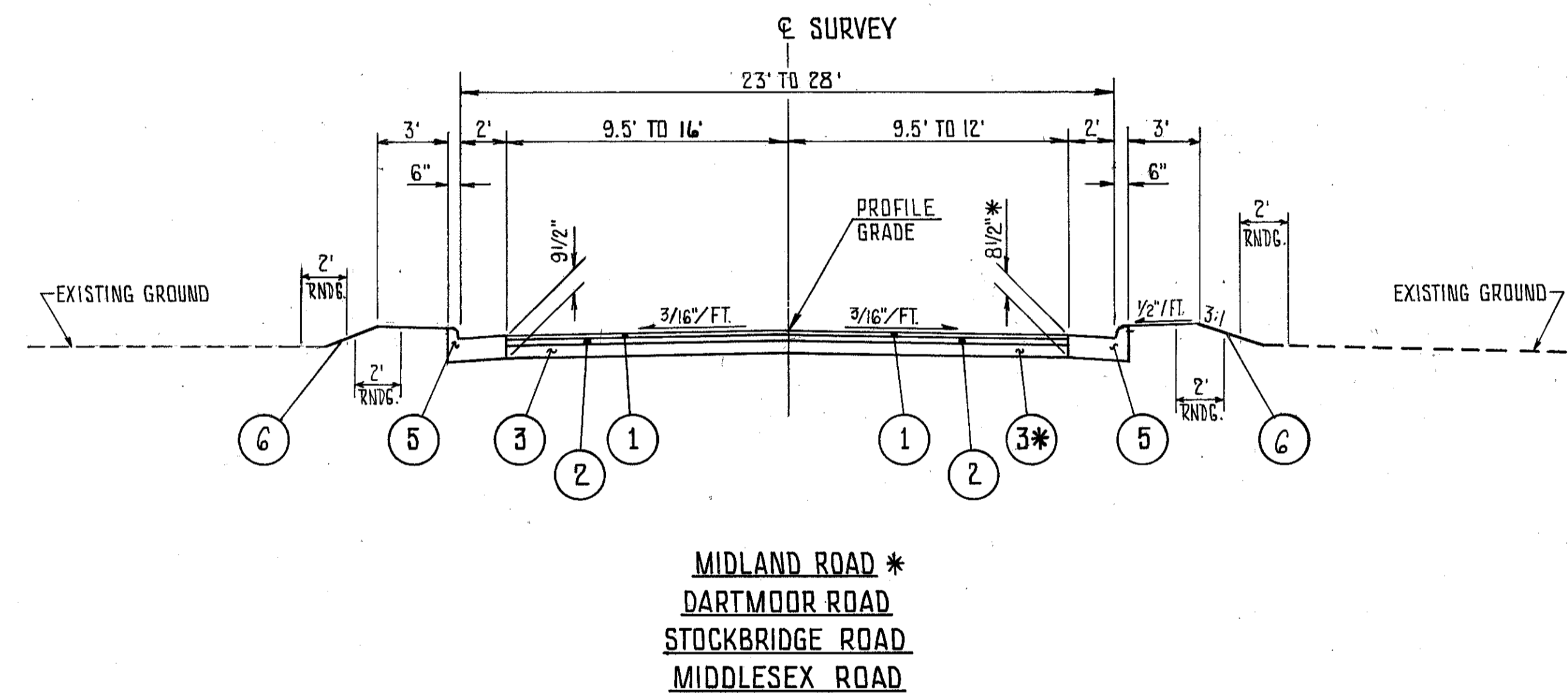
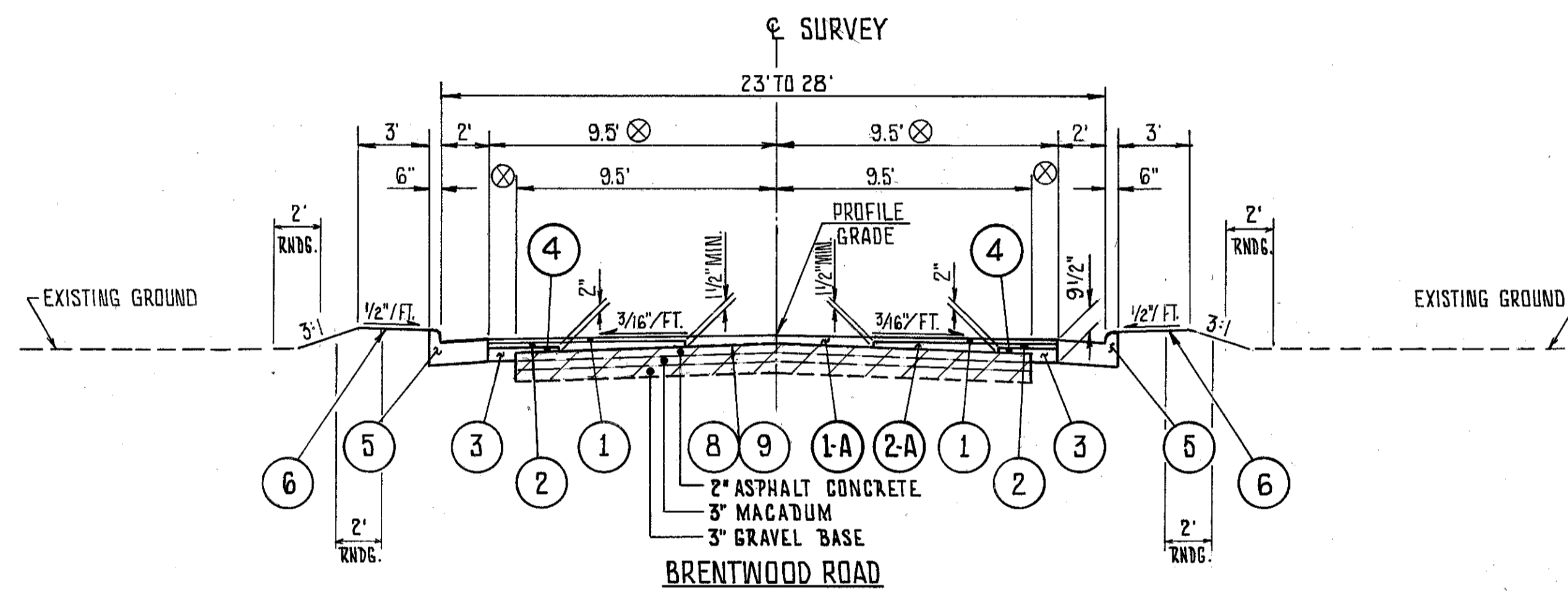
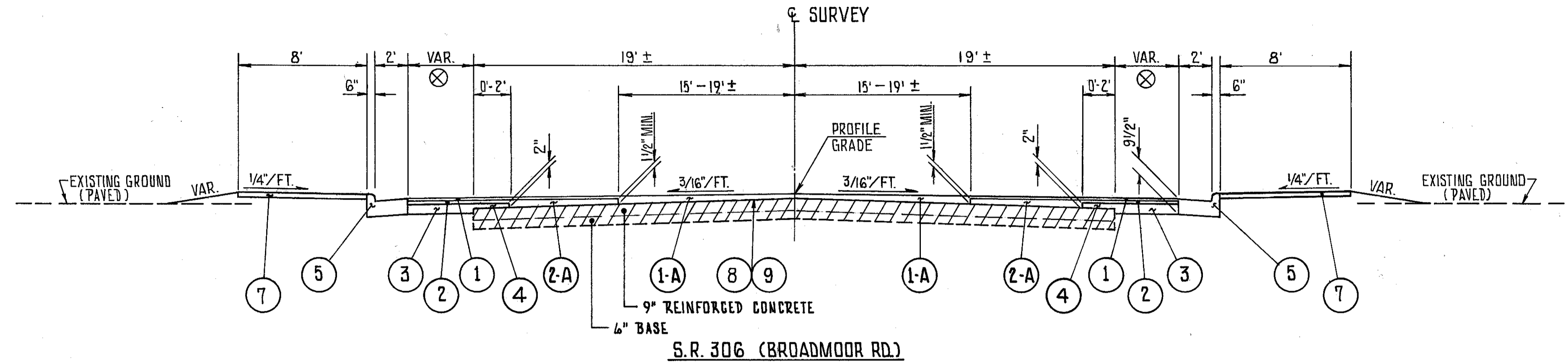


TYPICAL SECTIONS

TYPE 404

FHWA REGION	STATE	PROJECT	6
5	OHIO		114

LAKE COUNTY
LAK-20-G.65



REF.	ITEM	DESCRIPTION
①	404	1/4" ASPHALT CONCRETE AC-20.
②	402	1 3/4" ASPHALT CONCRETE AC-20.
③	301	6 1/2" BITUMINOUS AGGREGATE BASE AC-20 RT-11 OR RT-12.
③*	301	5 1/2" BITUMINOUS AGGREGATE BASE AC-20 RT-11 OR RT-12.
④	301	VAR. T. BITUMINOUS AGGREGATE BASE AC-20 RT-11 OR RT-12.

REF.	ITEM	DESCRIPTION
⑤	609	COMBINATION CURB AND GUTTER, TYPE 2 (MODIFIED AS PER PLAN).
⑥	660	SODDING.
⑦	608	4" CONCRETE WALK.
⑧	407	TACK COAT
⑨	407	COVER AGGREGATE
①-A	404	VARIABLE THICKNESS ASPHALT CONCRETE AC-20 (1/4" TO 2 3/4").
②-A	402	VARIABLE THICKNESS ASPHALT CONCRETE AC-20 (1 1/2" TO 3 3/4").

NOTES



EXISTING PAVEMENT, SEE PLAN SHEETS FOR 'BUILD UP'.

1. TYPICAL SECTIONS ARE INTENDED TO SHOW GENERAL ROADWAY AND PAVEMENT FEATURES ONLY. FOR FURTHER DETAILS SEE REMAINING PLAN AND PROFILES, PAVEMENT DETAILS AND CROSS SECTIONS.

2. MODIFIED THE 9" THICKNESS ON THE TYPE 2 CURB AND GUTTER TO MEET THE PROPOSED PAVEMENT BUILD-UP OF EITHER 8 1/2" OR 9 1/2".

3. TYPICALS NOT DRAWN TO SCALE.

4. FINISHED GRADE ON ITEM 404 TO BE 1/4" ABOVE GUTTER PLATE.

5. ⊗ RADIUS RETURN PAVEMENT TREATMENT, FOR AREAS SEE PAVEMENT DETAILS SHEET NO. 73-75