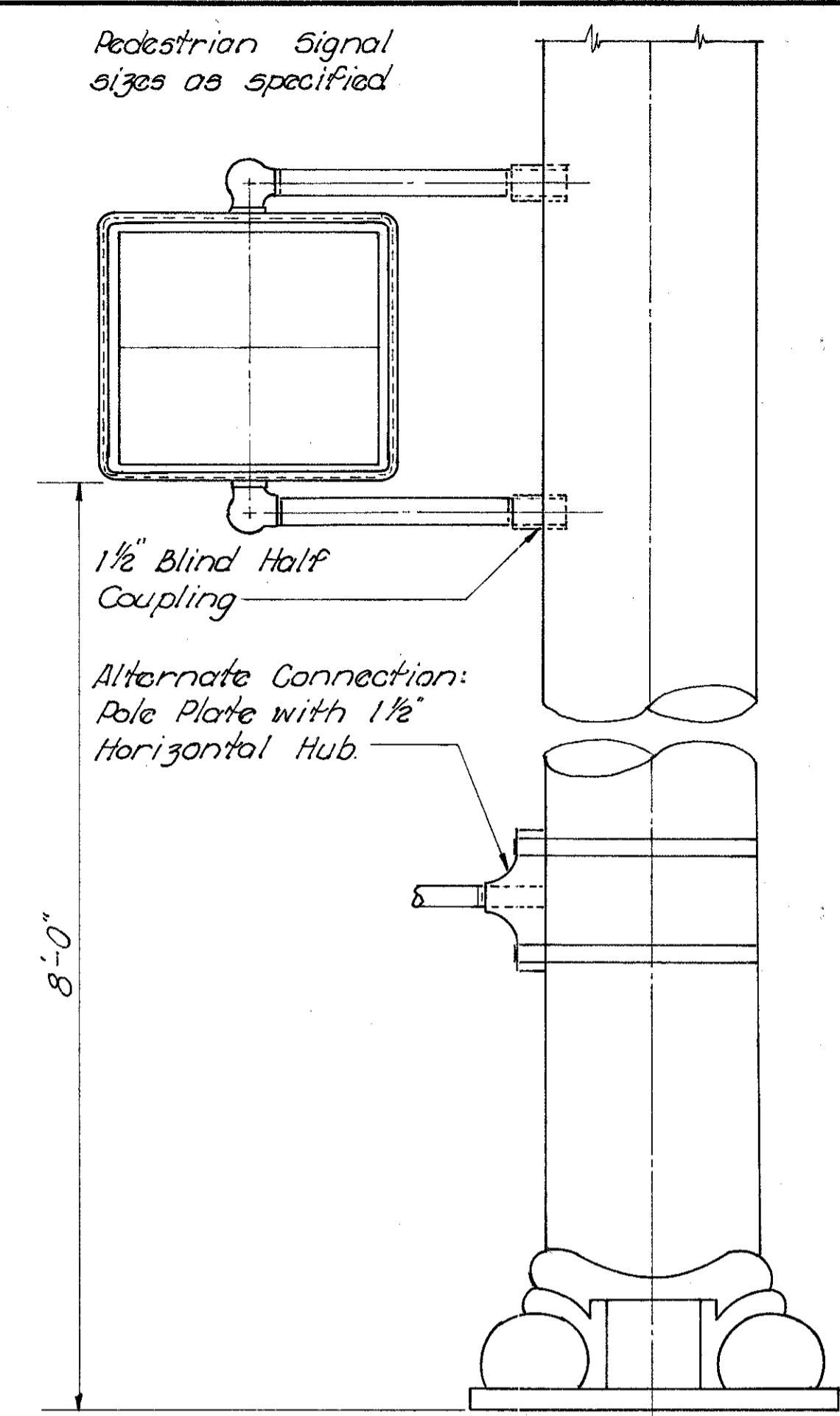
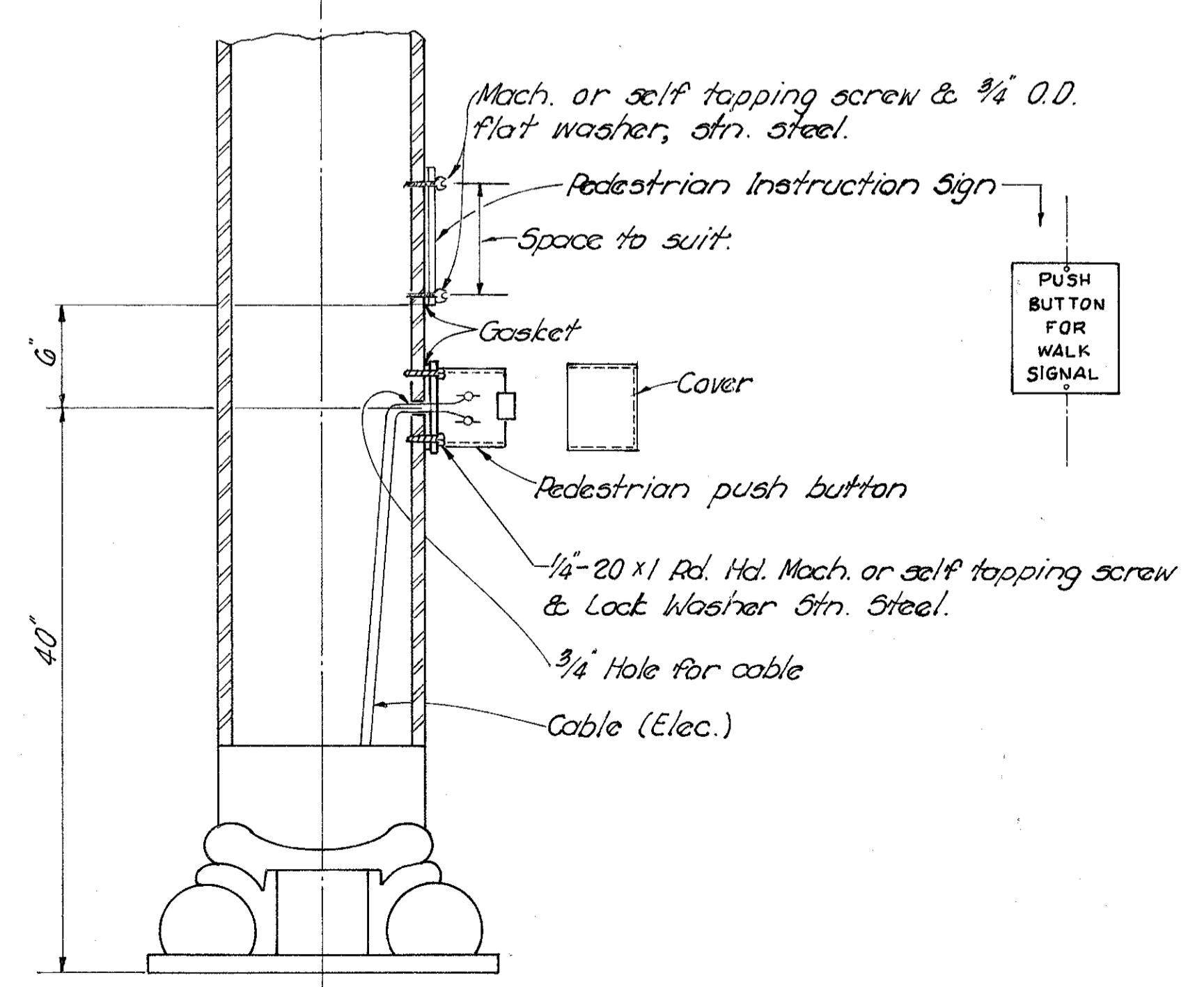


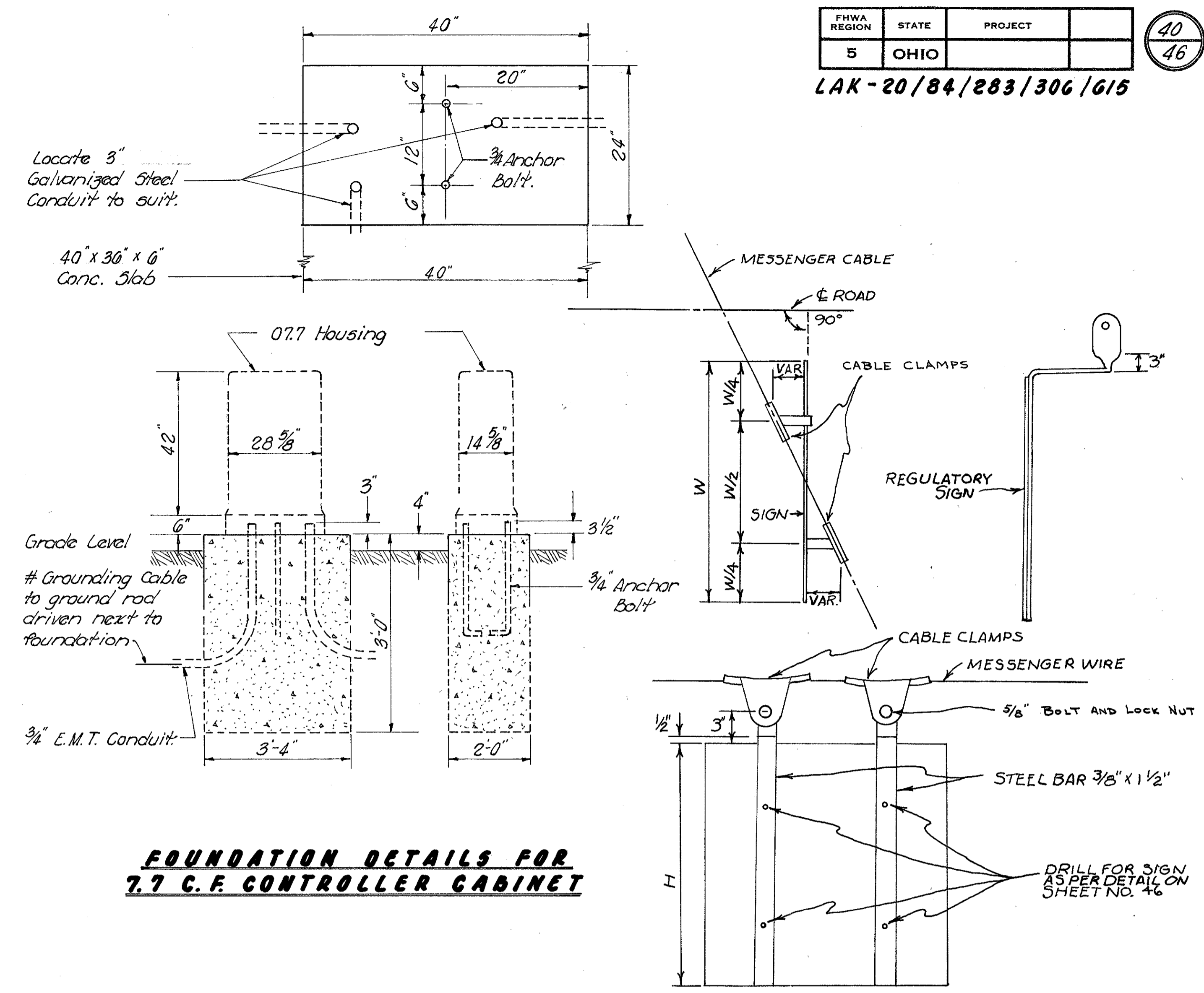
**SIGNAL SUPPORT
PEDESTAL MOUNTED DETAILS**



**PEDESTRIAN SIGNAL
HEAD INSTALLATION DETAILS**



**PEDESTRIAN PUSH BUTTON
INSTALLATION DETAILS**



**FOUNDATION DETAILS FOR
7.7 C.F. CONTROLLER CABINET**

Additional Pole Data From Sheet 42

| Ga. | Dia. Base | Overall Length | Top Dia. | H | D | Anchor Base Data | | | | Anchor Bolt Data | | | |
|-----|-----------|----------------|----------|-----|-----|------------------|----------|---------|--------|------------------|-----|----|-----|
| | | | | | | B.C. | F | S | P | Size | L | T | G |
| 7 | 9" | 28 | 5.08 | 54" | 30" | 12 1/2" | 8 1/8" | 12 3/4" | 3" | 1 1/2" x 60" | 54" | 9" | 11" |
| 7 | 9" | 26 | 5.36 | 54" | 30" | 12 1/2" | 8 1/8" | 12 3/4" | 3" | 1 1/2" x 60" | 54" | 9" | 11" |
| 3 | 8" | 28 | 4.08 | 54" | 30" | 11" | 7 3/4" | 11 1/2" | 2 3/8" | 1 1/2" x 60" | 54" | 9" | 11" |
| 0 | 12" | 32 | 7.52 | 84" | 42" | 12" | 11 3/16" | 17" | 4" | 2 1/4" x 96" | 84" | 9" | 11" |

**SPAN WIRE MOUNTED
SIGN ATTACHMENT**
NO SCALE