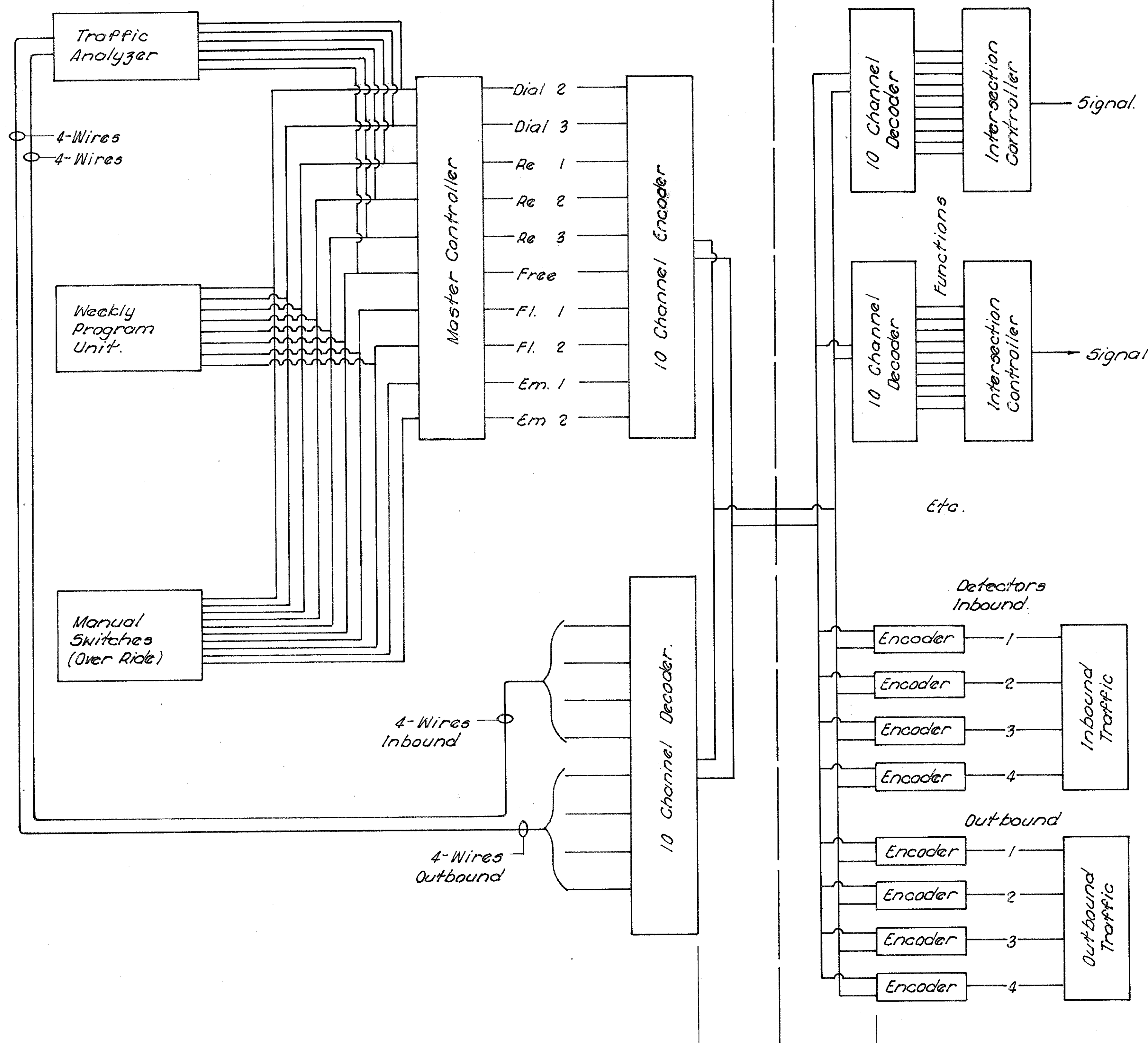


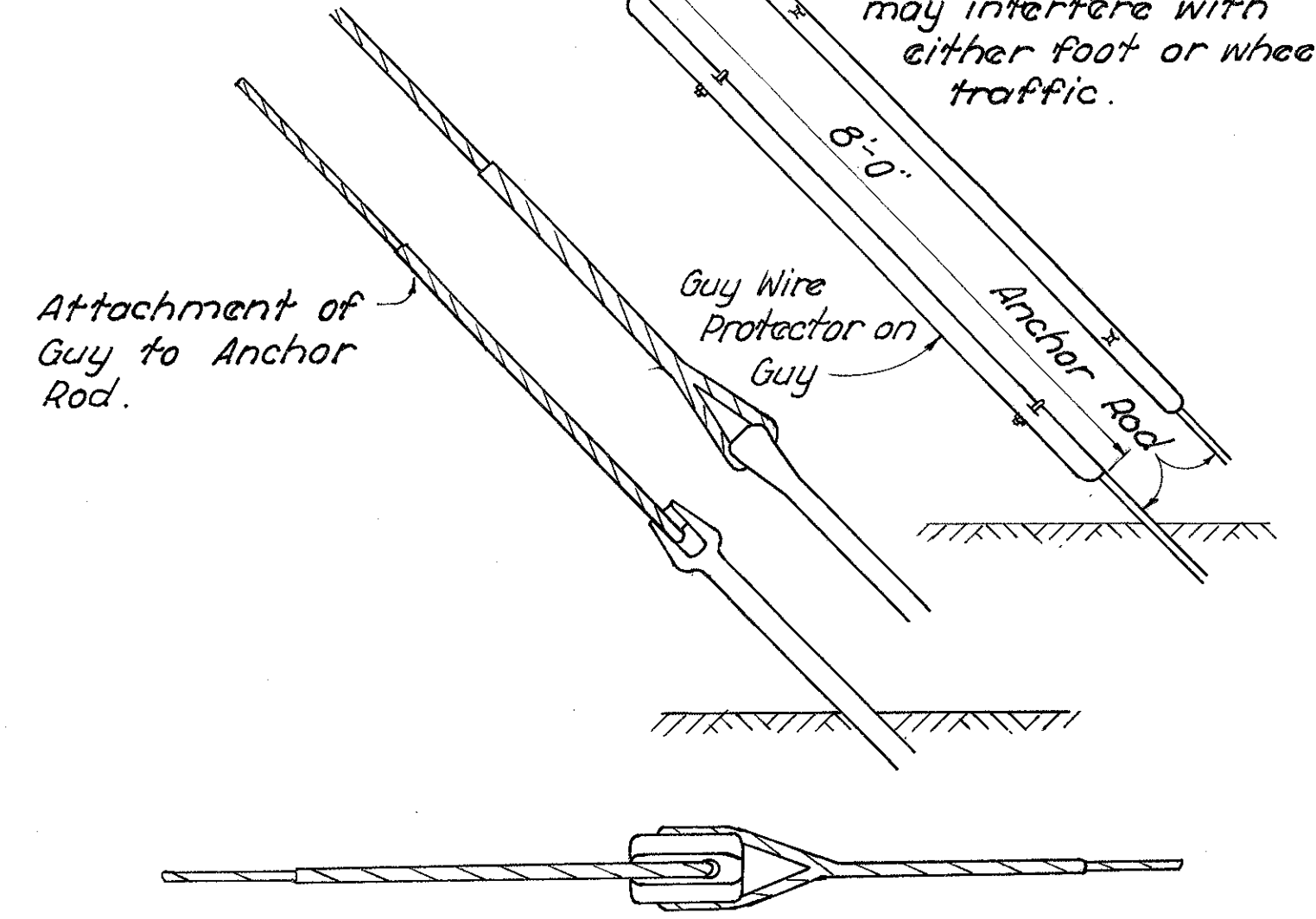
MASTER LOCATION

FIELD

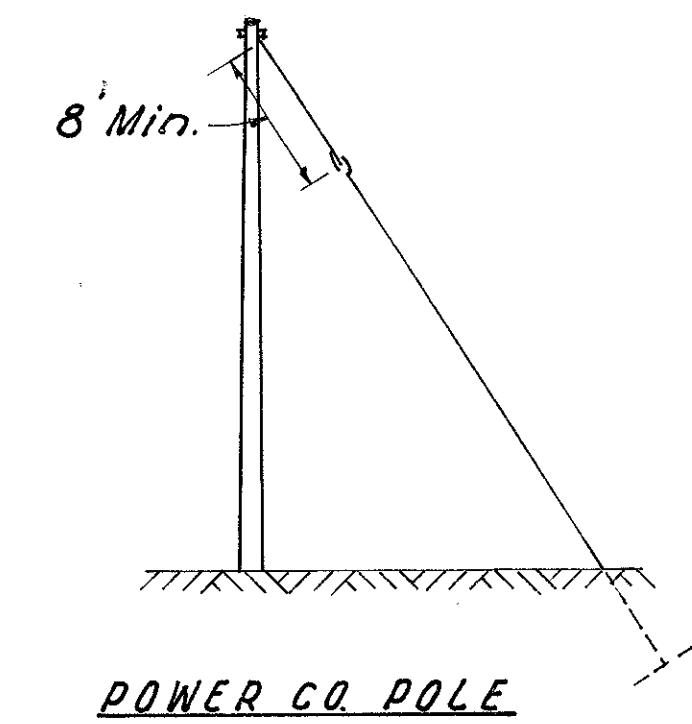


SYSTEM DIAGRAM

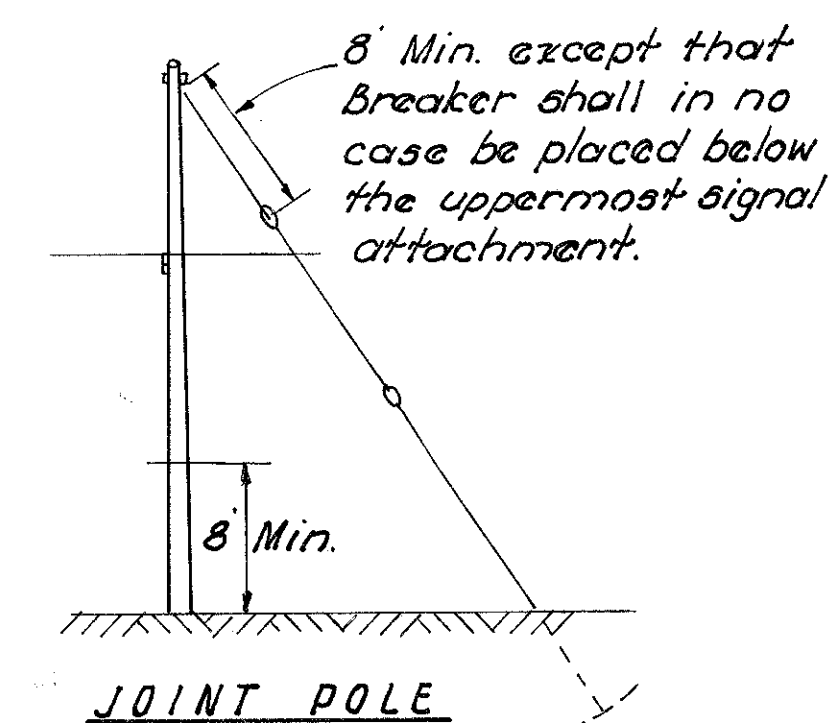
NOTE:  
A Guy Wire Protector shall be installed on all guys along public Highways & all guys in other locations which may interfere with either foot or wheeled traffic.



Attachment of Guy Wire to Strain Insulator.

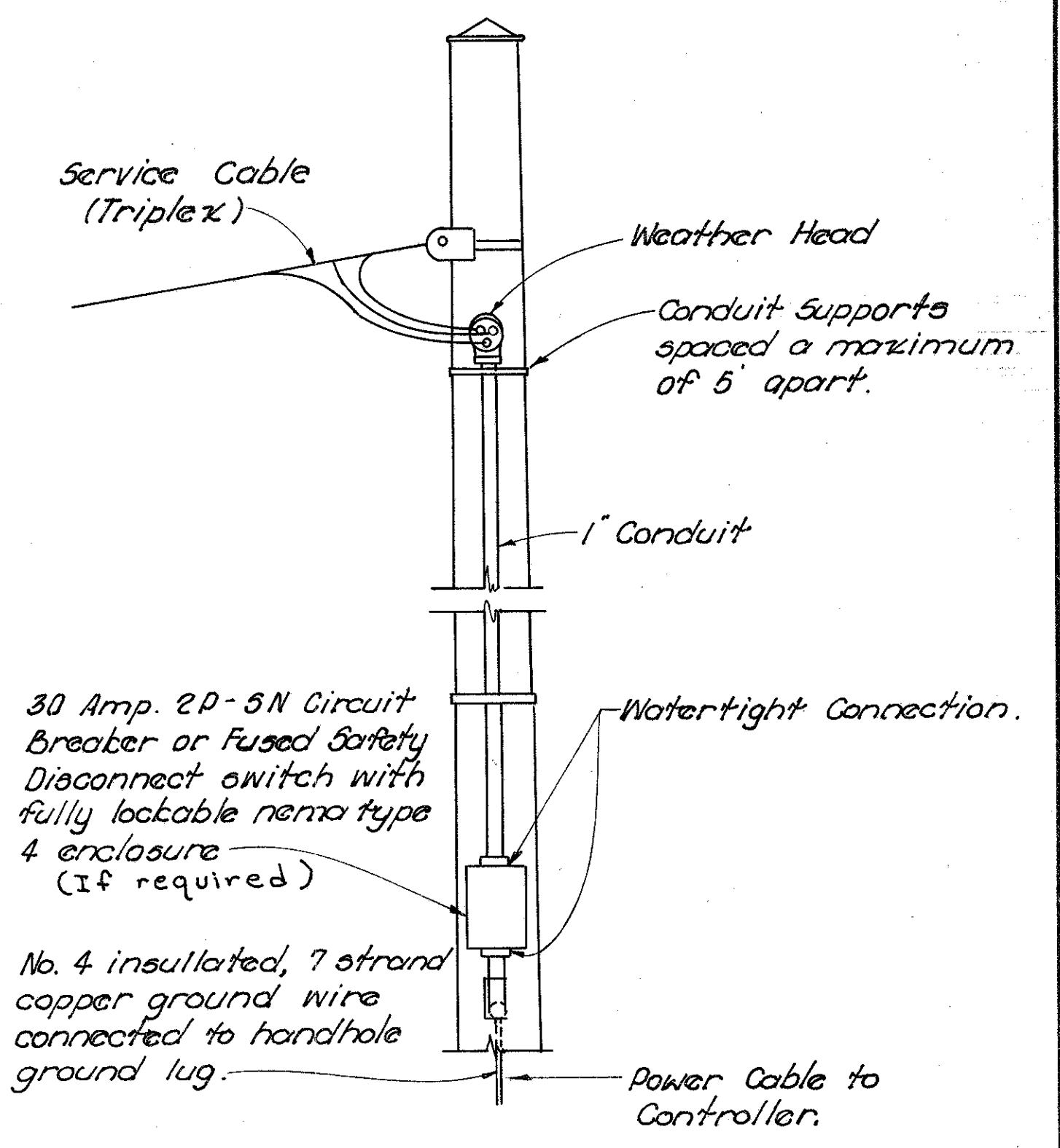


POWER CO. POLE

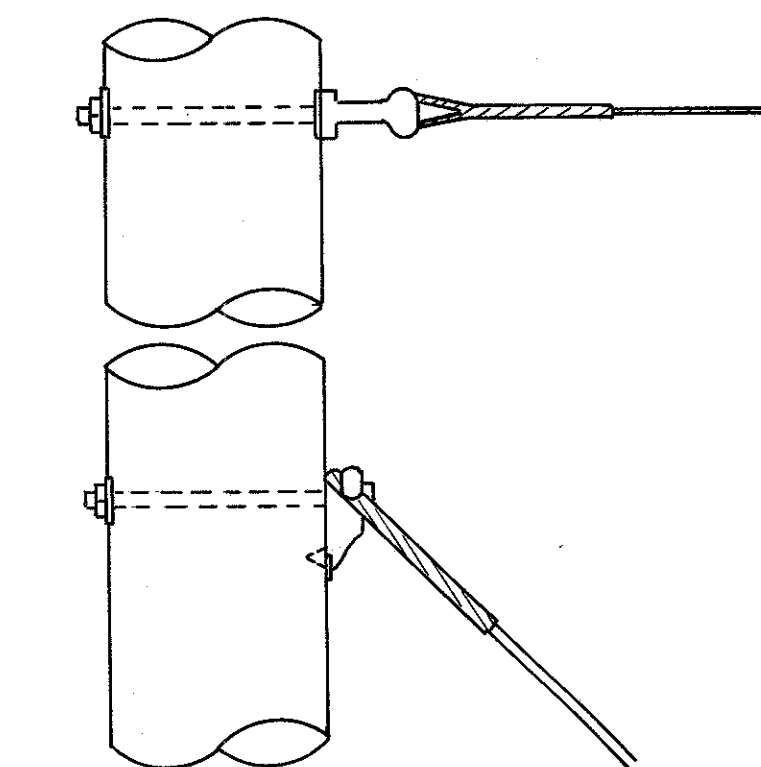


JOINT POLE

GUY DETAILS



POWER SERVICE DETAILS



Attachment of head or tie guy at guyed pole.