

LAK 20/84/283/306/615

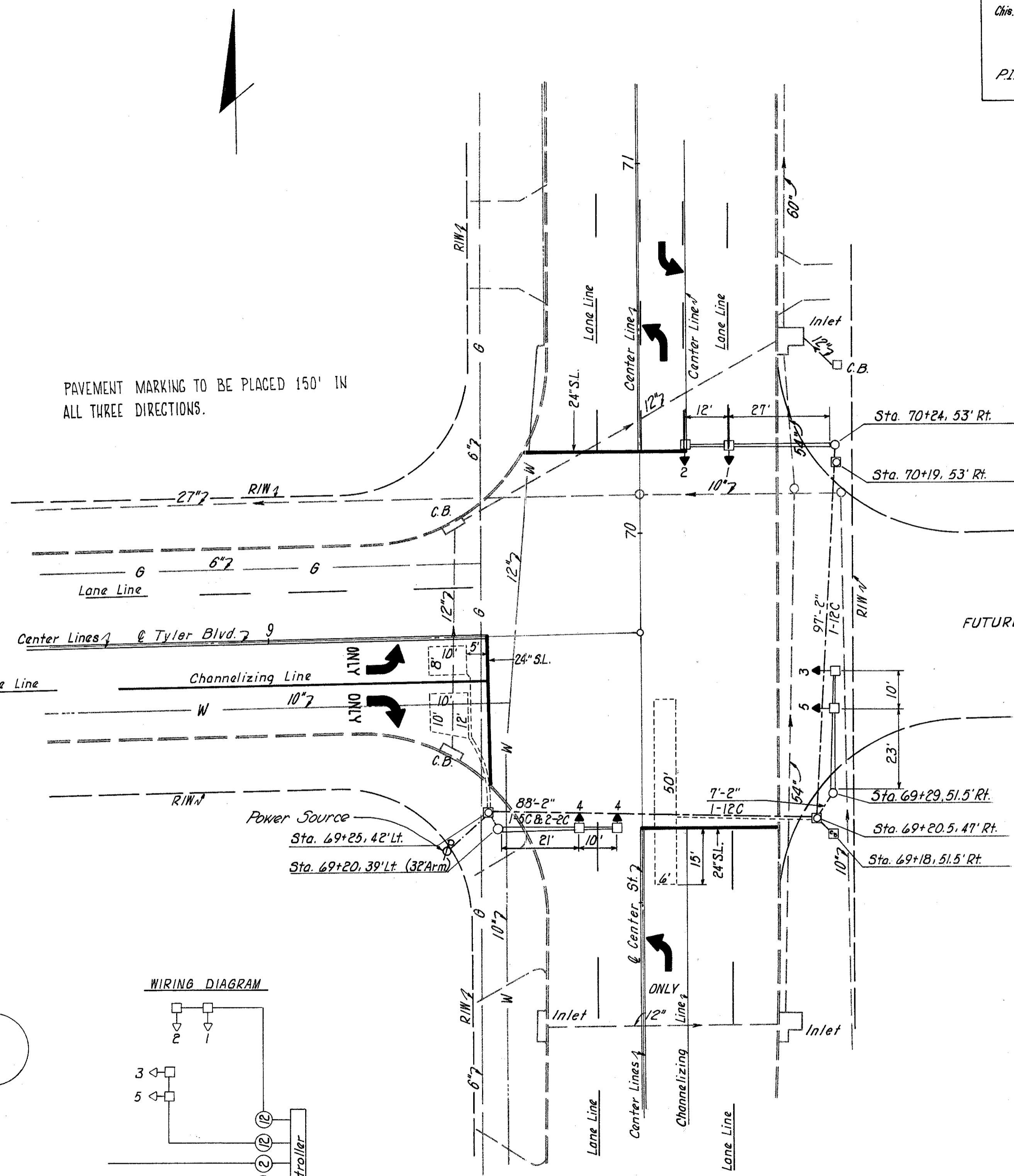
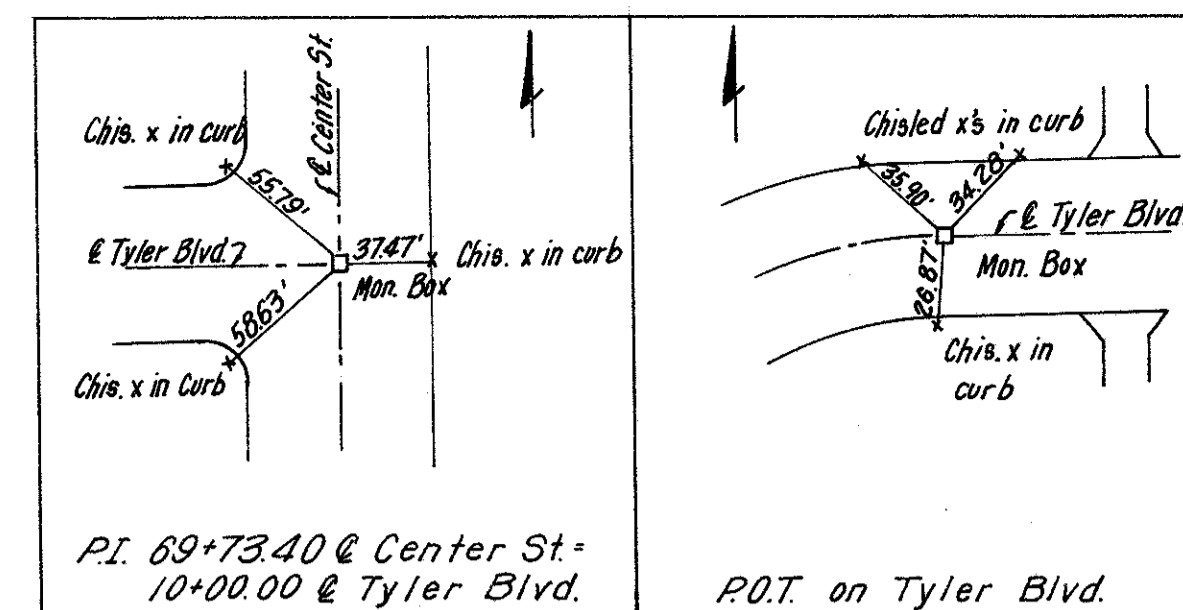
COLOR SEQUENCE CHART

SIGNAL NO.	LENS	DIAL SETTINGS (SECONDS)								
		INTERVAL								
		1	2	3	4	5	6	7	8	9
1	R									
2	Y									
3	G									
4	R									
5	Y									
6	G									

Offset 1: 34 Seconds  
Offset 2: 67 Seconds  
Offset 3: 78 Seconds

(1) Ø B TO Ø C CLEARANCE INTERVAL  
(2) Ø B TO Ø A CLEARANCE INTERVAL

OFFSET 1 - AVERAGE  
OFFSET 2 - INBOUND  
OFFSET 3 - OUTBOUND

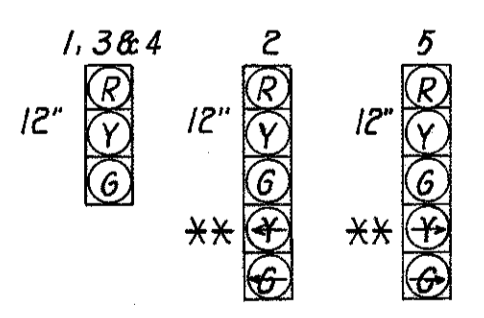


PAVEMENT MARKING TO BE PLACED 150' IN ALL THREE DIRECTIONS.

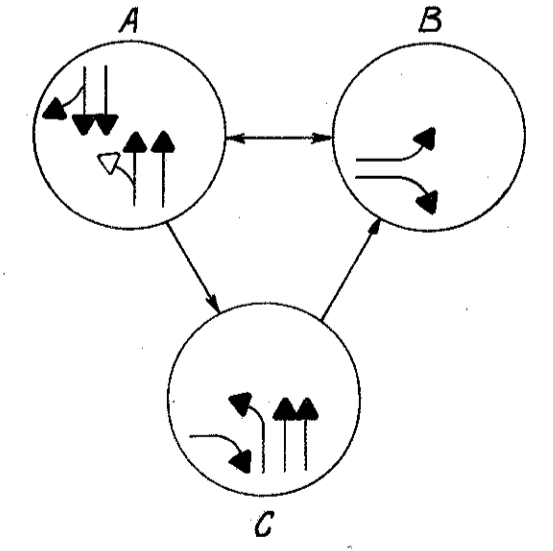
NOTE: SL = Stop Line

CALC: [Signature] 4-73  
CHK: [Signature] 4-73

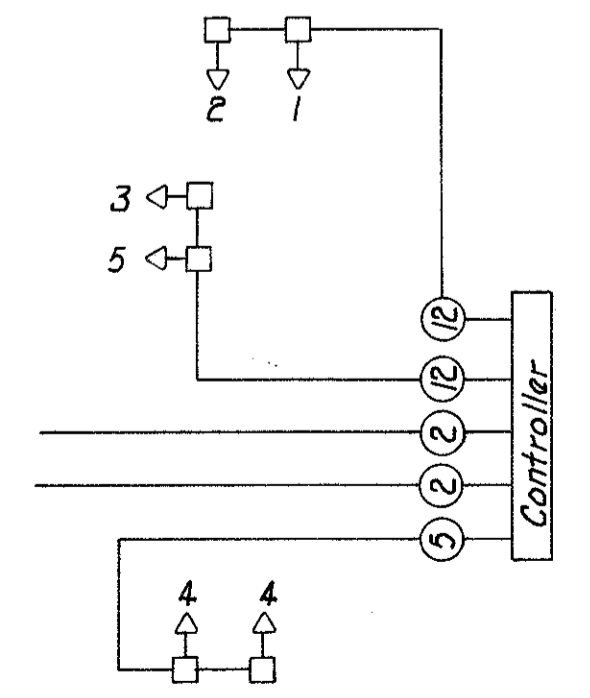
SIGNALS



PHASING



WIRING DIAGRAM



\*\* Section to be made inoperative after connection.

QUAN.	UNIT	ITEM	DESCRIPTION
1	Ea.	816	Signal Support, 3 Ga., 12"x20' Pole, 40' Arm
1	Ea.	816	Signal Support, 7 Ga., 12"x20' Pole, 34' Arm
1	Ea.	816	Signal Support, 7 Ga., 12"x20' Pole, 32' Arm
7.0	C.Y.	816	Concrete for Signal Support Foundations
0.8	C.Y.	816	Concrete for Controller and Pedestal Foundation
4	Ea.	625	Traffic Signal Heads, 3 Section, 12" Lens, One Way
2	Ea.	625	Traffic Signal Heads, 5 Section, 12" Lens, One Way
1	Ea.	625	Signal Controller (3 Phase Digital Solid State Traffic Timer)
1	Ea.	625	Signal Control Cabinet, 7.7 c.f.
3	Ea.	625	Loop Detector Amplifier
1	Ea.	625	Power Service
287	L.F.	625	Signal Cable, 12/c No. 14 AWG IM 5A 19-1-67
187	L.F.	625	Signal Cable, 5/c No. 14 AWG IM 5A 19-1-67
638	L.F.	625	Loop Detector Wire, No. 14 AWG, RHW or RHW Type
123	L.F.	625	Loop Detector Lead-in Cable, 2/c No. 14 AWG, Twisted Pair, Shielded
88	L.F.	625	Conduit 2" Jacked under Pavement, as per plan
119	L.F.	625	Conduit 2", 713.04, Type III
119	L.F.	625	Trench
3	Ea.	625	Cable Support Assembly
263	L.F.	625	Loop Detector Pavement Cutting
4	Ea.	625	Ground Rod
3	Ea.	625	Pull Box, 18" Circular, 713.09, as per plan
6	Ea.	625	Covering of Traffic Signal Heads
1	Ea.	202	Removal of Existing Signal Installation
1	Ea.	625	10 Channel Decoder
150	L.F.	625	Power Cable 3/c No. 8 AWG Stranded RHW or RHW Type
0.06	Mi.	621	Center Line, Double, Thermoplastic (Solid)
0.06	Mi.	621	Center Line, Double, Thermoplastic (Solid - Dashed)
250	L.F.	621	Channelizing Lines, Thermoplastic
0.16	Mi.	621	4" Lane Line, Thermoplastic
5	Ea.	621	Lane Arrows, Thermoplastic
121	L.F.	621	24" Stop Lines, Thermoplastic
3	Ea.	621	Word "ONLY" on Pavement, Thermoplastic