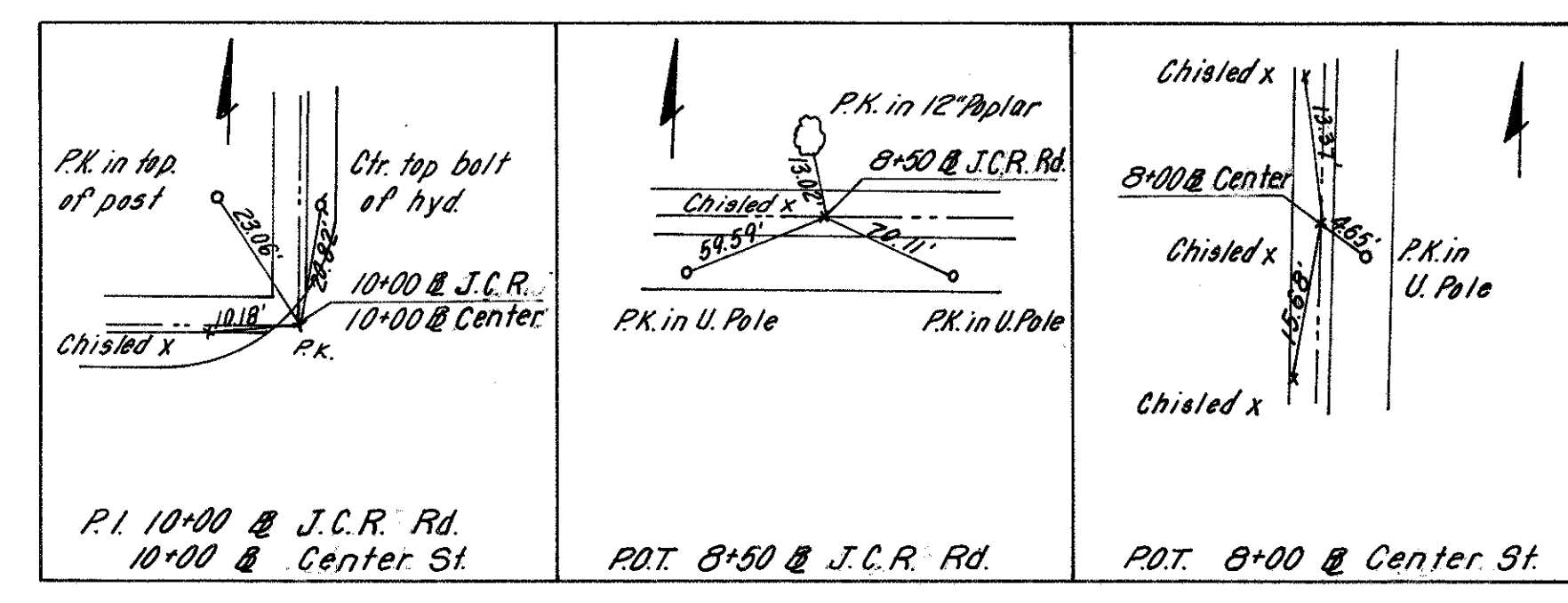
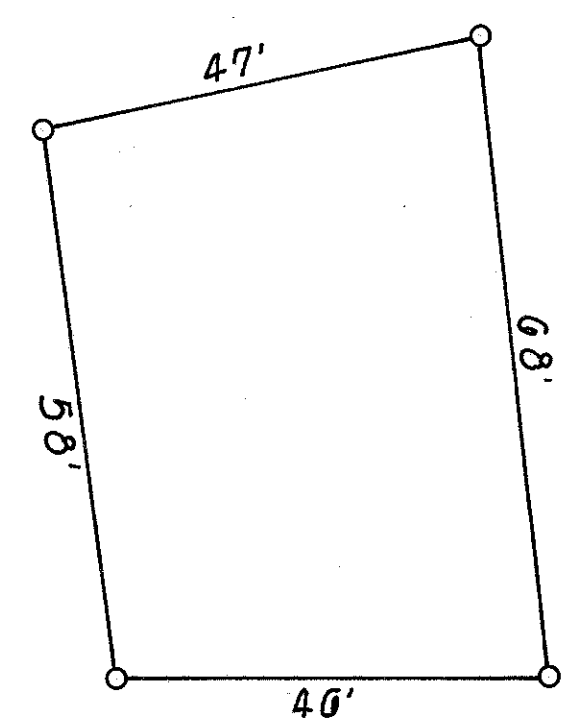


LAK-20/84/283/306/615



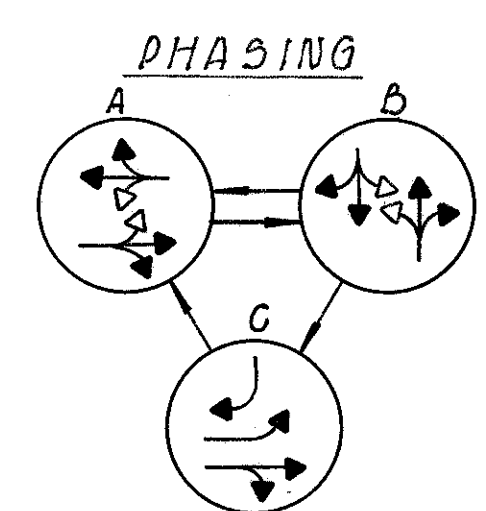
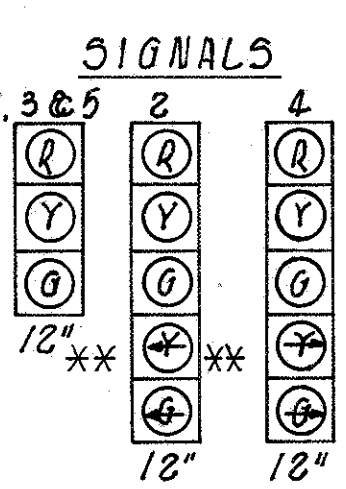
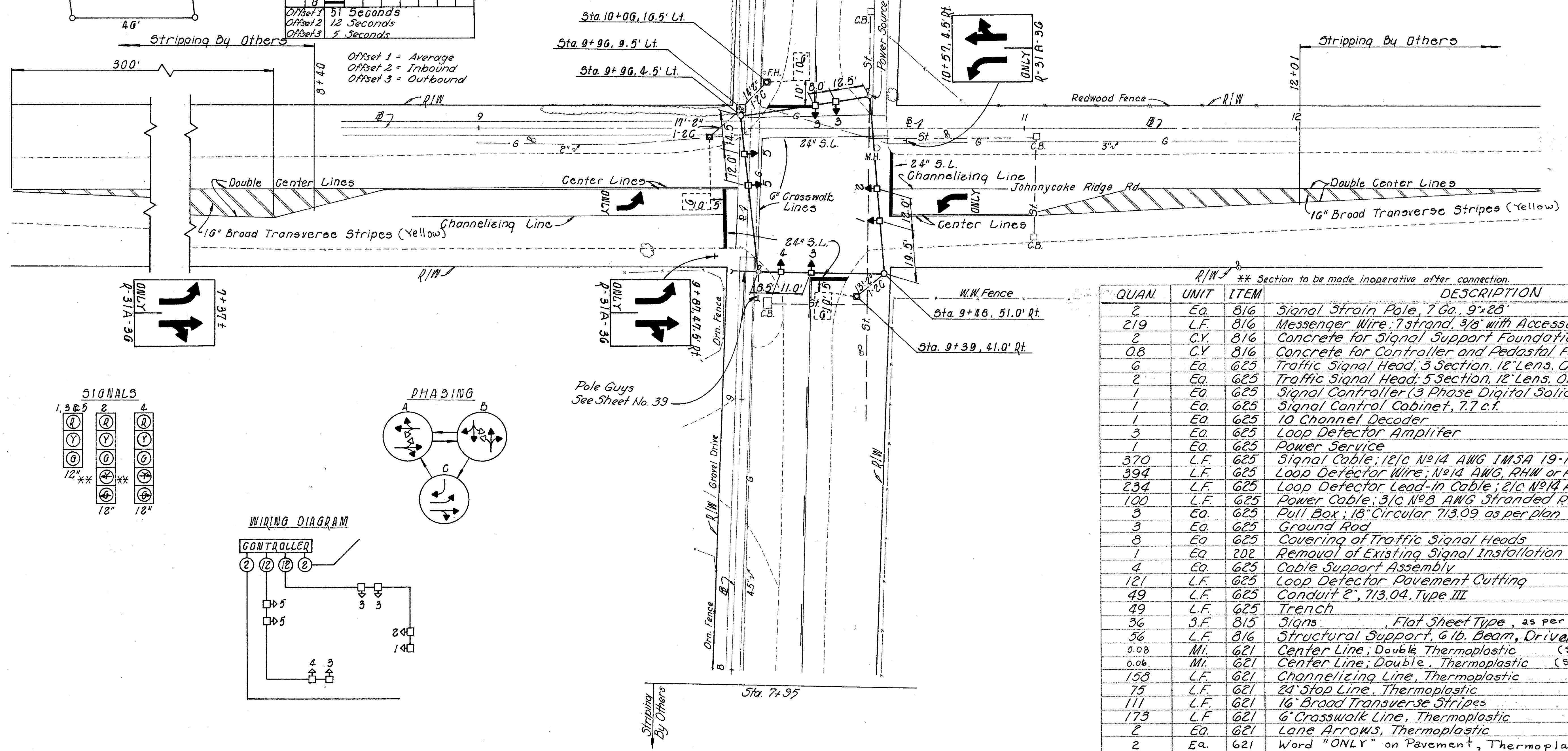
SPAN DIAGRAM



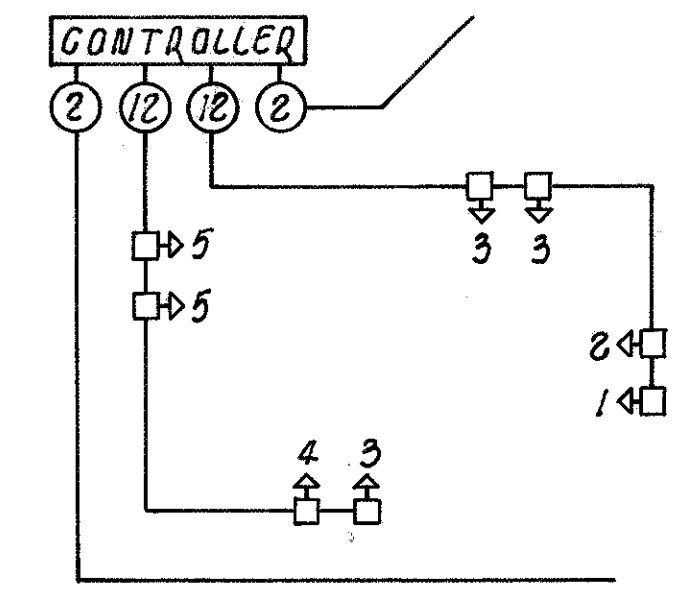
SIGNAL NO.	DIAL SETTINGS (SECONDS)							
	40	3	1	20	3	1	9	3
1								
2								
3								
4								
5								

Interval: 1 2 3 4 5 6 7 8

Offset 1: 51 Seconds
Offset 2: 12 Seconds
Offset 3: 5 Seconds



WIRING DIAGRAM



QUAN.	UNIT	ITEM	DESCRIPTION
2	Ea.	816	Signal Strain Pole, 7 Ga., 9'x28'
219	L.F.	816	Messenger Wire, 7 strand, 3/8" with Accessories
2	C.Y.	816	Concrete for Signal Support Foundations
0.8	C.Y.	816	Concrete for Controller and Pedestal Foundations
6	Ea.	625	Traffic Signal Head, 3 Section, 12" Lens, One Way
2	Ea.	625	Traffic Signal Head, 5 Section, 12" Lens, One Way
1	Ea.	625	Signal Controller (3 Phase Digital Solid State Traffic Timer)
1	Ea.	625	Signal Control Cabinet, 7.7 c.f.
1	Ea.	625	10 Channel Decoder
3	Ea.	625	Loop Detector Amplifier
1	Ea.	625	Power Service
370	L.F.	625	Signal Cable; 12/c #14 AWG IMSA 19-1-67
394	L.F.	625	Loop Detector Wire; #14 AWG, RHW or RHW Type
234	L.F.	625	Loop Detector Lead-in Cable; 2/c #14 AWG, Twisted Pair, Shielded
100	L.F.	625	Power Cable; 3/c #8 AWG Stranded RHW or RHW Type
3	Ea.	625	Pull Box; 18" Circular 713.09 as per plan
3	Ea.	625	Ground Rod
8	Ea.	625	Covering of Traffic Signal Heads
1	Ea.	202	Removal of Existing Signal Installation
4	Ea.	625	Cable Support Assembly
121	L.F.	625	Loop Detector Pavement Cutting
49	L.F.	625	Conduit 2", 713.04, Type III
49	L.F.	625	Trench
36	S.F.	815	Signs, Flat Sheet Type, as per plan
56	L.F.	816	Structural Support, 6 lb. Beam, Driven
0.08	Mi.	621	Center Line; Double, Thermoplastic (Solid)
0.06	Mi.	621	Center Line; Double, Thermoplastic (Solid-Dashed)
158	L.F.	621	Channelizing Line, Thermoplastic
75	L.F.	621	24" Stop Line, Thermoplastic
111	L.F.	621	16" Broad Transverse Stripes
173	L.F.	621	6" Crosswalk Line, Thermoplastic
2	Ea.	621	Lane Arrows, Thermoplastic
2	Ea.	621	Word "ONLY" on Pavement, Thermoplastic