

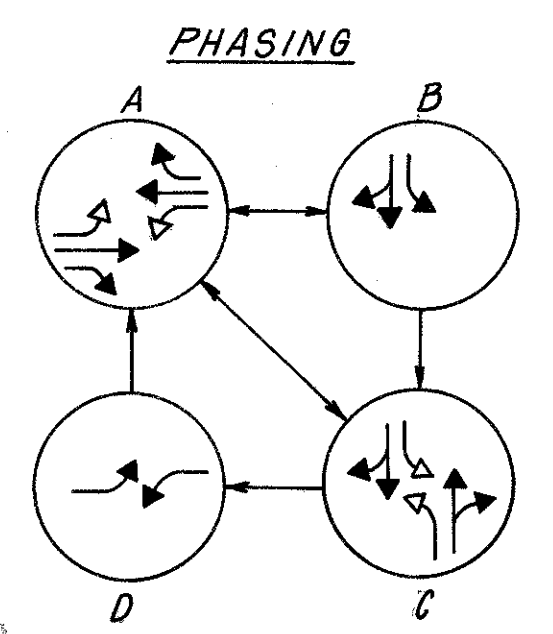
CALC: BCB 4-73
CHK: [Signature] 4-73

COLOR SEQUENCE CHART

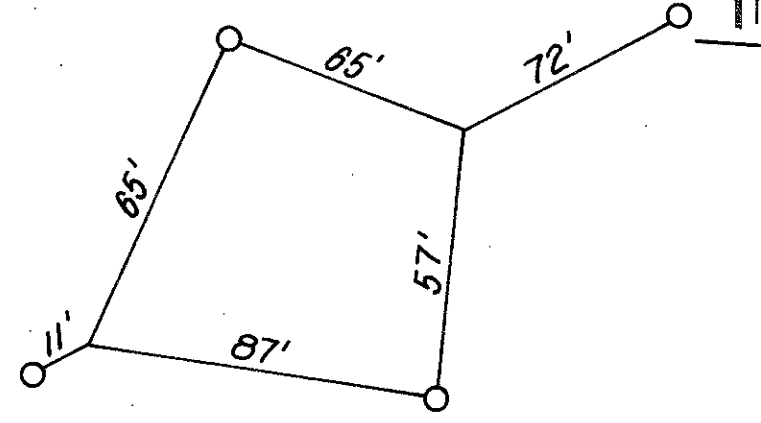
SIGNAL NO.	LENS	DIAL SETTINGS (SECONDS)											
		17	7	3	2	0	3	2	7	3	2	6	3
		INTERVAL											
		1	2	3	4	5	6	7	8	9	10	11	12
1	R												
1	Y												
1	R												
2	Y												
2	Y												
2	R												
3	Y												
3	Y												
3	R												
4	Y												
4	Y												
4	R												
5	Y												
5	Y												
5	R												
6	WALK												
6	WALK												
7	WALK												
7	WALK												

Offset 1 = 0 Seconds
Offset 2 = 11 Seconds
Offset 3 = 69 Seconds

(1) OB to OC Clearance Interval
(2) OB to OA Clearance Interval
F = Flashing "Don't Walk"
Offset 1 = Average
Offset 2 = Inbound
Offset 3 = Outbound



SPAN DIAGRAM



QUAN.	UNIT	ITEM	DESCRIPTION
2	EA.	816	SIGNAL STRAIN POLE 3 GA., 12" x 30'
357	L.F.	816	MESSENGER WIRE 7 STRAND 3/8" WITH ACCESSORIES
4.3	C.Y.	816	CONCRETE FOR SIGNAL SUPPORT FOUNDATIONS
2	EA.	816	PEDESTRIAN SIGNAL SUPPORT, PEDESTAL MOUNTED, 4" x 8'
1.3	C.Y.	816	CONCRETE FOR CONTROLLER AND PEDESTAL FOUNDATION
6	EA.	825	TRAFFIC SIGNAL HEAD, 3 SECTION, 12" LENS, ONE-WAY
3	EA.	825	TRAFFIC SIGNAL HEAD, 5 SECTION, 12" LENS, ONE-WAY
6	EA.	825	PEDESTRIAN SIGNAL HEAD, INCANDESCENT COLORED BULB, 4 1/2" LETTER
1	EA.	825	SIGNAL CONTROLLER (4 PHASE DIGITAL SOLID STATE TRAFFIC TIMER)
1	EA.	825	SIGNAL CONTROL CABINET, 7.7 C.F.
6	EA.	825	LOOP DETECTOR AMPLIFIER
1	EA.	825	POWER SERVICE
540	L.F.	825	SIGNAL CABLE, 5/C NO. 14 AWG IMSA 19-1-G7
483	L.F.	825	SIGNAL CABLE, 12/C NO. 14 AWG IMSA 19-1-G7
48	L.F.	825	POWER CABLE, 3/C NO. 8 AWG, STRANDED RHW, OR RHW TYPE
950	L.F.	825	LOOP DETECTOR WIRE, NO. 14 AWG, RHW, OR RHW TYPE
1200	L.F.	825	LOOP DETECTOR LEAD-IN CABLE, 2/C NO. 14 AWG, TWISTED PAIR, SHIELDED
283	L.F.	825	LOOP DETECTOR PAVEMENT CUTTING
5	EA.	825	PULL BOX 18" CIRCULAR, 713.09, AS PER PLAN
102	L.F.	825	CONDUIT 2" 713.04 TYPE III
42	L.F.	825	CONDUIT 2" JACKED UNDER PAVEMENT, AS PER PLAN
102	L.F.	825	TRENCH
1	EA.	825	ID CHANNEL DECODER
5	EA.	825	GROUND ROD
2	EA.	825	WEATHERHEAD AND CONDUIT RISER
9	EA.	825	COVERING OF TRAFFIC SIGNAL HEADS
1	EA.	202	REMOVAL OF EXISTING SIGNAL INSTALLATION
6	EA.	825	PEDESTRIAN PUSH BUTTON WITH SIGN
69	S.F.	815	SIGNS FLAT SHEET TYPE
84	L.F.	816	STRUCTURAL SUPPORT, 6 LB. BEAM, DRIVEN (SOLID)
0.11	MI.	821	CENTER LINES, DOUBLE THERMOPLASTIC
605	L.F.	821	CHANNELIZING LINES, THERMOPLASTIC
136	L.F.	821	24" STOP LINES, THERMOPLASTIC
303	L.F.	821	6" CROSSWALK LINES, THERMOPLASTIC
45	L.F.	821	16" BROAD TRANSVERSE STRIPES
6	EA.	821	LANE ARROWS, THERMOPLASTIC
10	EA.	825	CABLE SUPPORT ASSEMBLY

NOTE: ** SECTION TO BE MADE INOPERATIVE AFTER CONNECTION

QUAN.	UNIT	ITEM	DESC.
6	EA.	621	WORD "ONLY" ON PAVEMENT, THERMOPLASTIC, AS PER PLAN