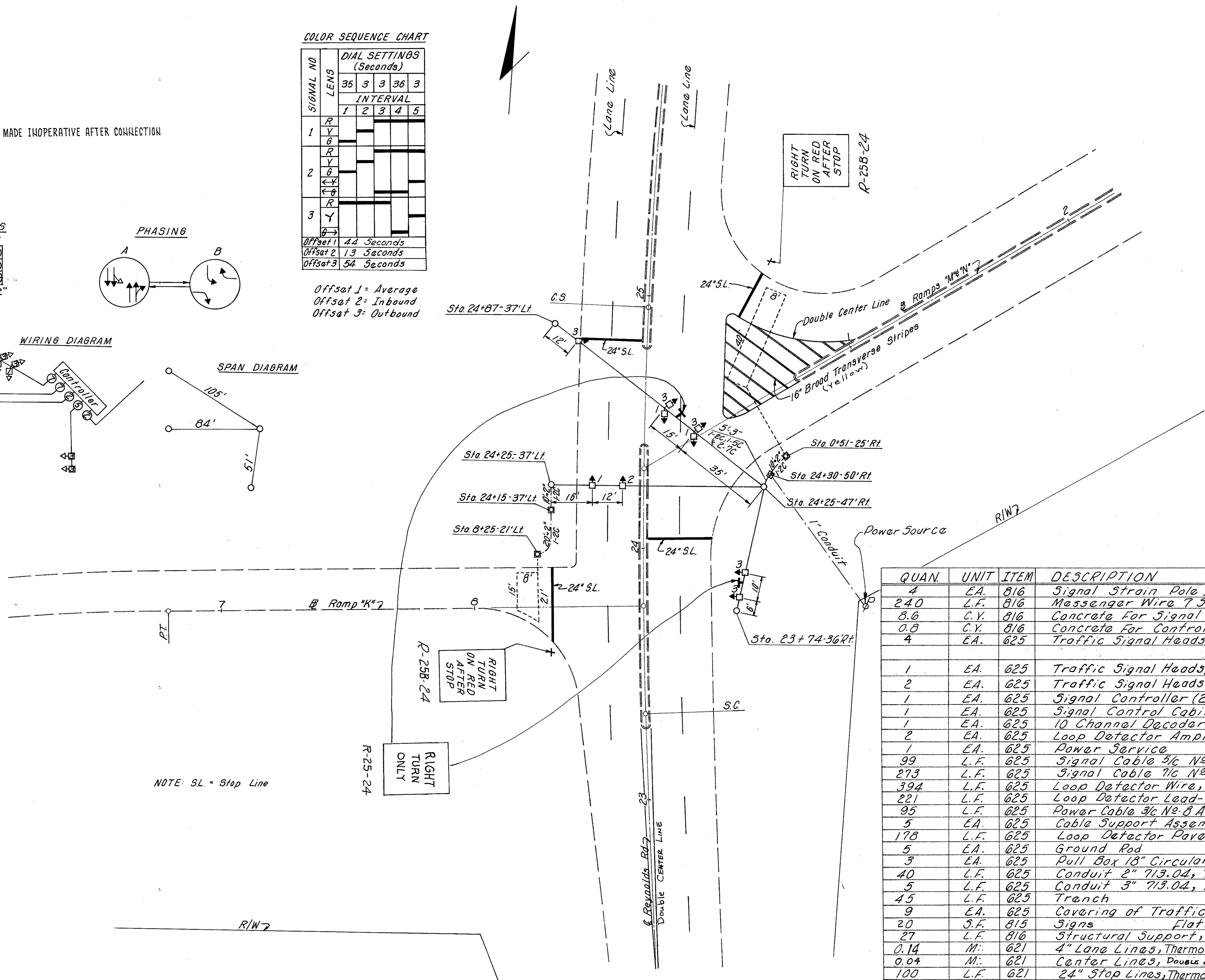
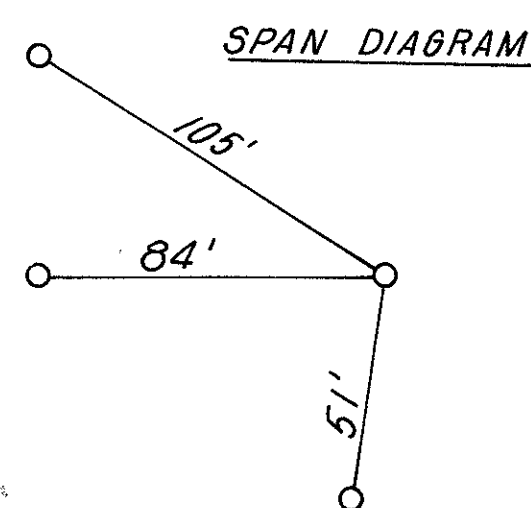
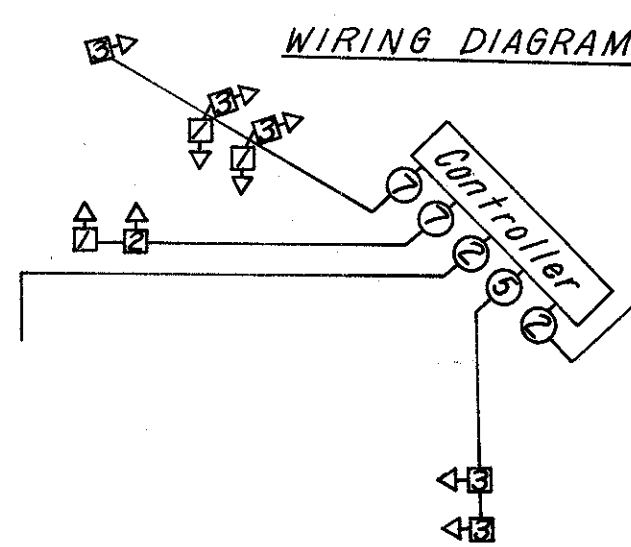
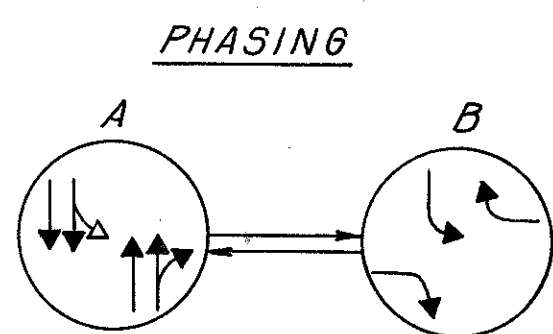
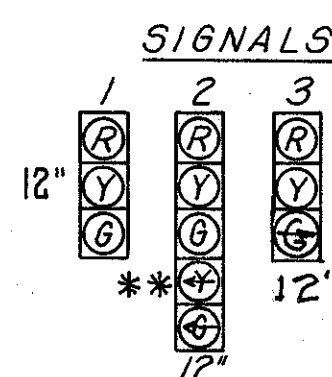


COLOR SEQUENCE CHART

SIGNAL NO.	LENS	DIAL SETTINGS (Seconds)				
		1	2	3	4	5
1	R					
	Y					
	B					
2	R					
	Y					
	B					
3	R					
	Y					
	B					

Offset 1 = Average
Offset 2 = Inbound
Offset 3 = Outbound

NOTE: **SECTION TO BE MADE INOPERATIVE AFTER CONNECTION



CALC: P.C. 4-73
CHK: J. 4-73

QUAN.	UNIT	ITEM	DESCRIPTION
4	EA.	816	Signal Strain Pole 3 Ga, 12" x 30'
240	L.F.	816	Messenger Wire 7 Strand 3/8" With Accessories
8.6	C.Y.	816	Concrete For Signal Support Foundations
0.8	C.Y.	816	Concrete For Controller And Pedestal Foundations
4	EA.	625	Traffic Signal Heads, 3 Section, 12" Lens, One-Way
1	EA.	625	Traffic Signal Heads, 5 Section, 12" Lens, One-Way
2	EA.	625	Traffic Signal Heads, 3 Section, 12" Lens, Two-Way
1	EA.	625	Signal Controller (2 Phase Digital Solid State Traffic Timer)
1	EA.	625	Signal Control Cabinet, 7.7 C.F.
1	EA.	625	10 Channel Decoder
2	EA.	625	Loop Detector Amplifier
1	EA.	625	Power Service
99	L.F.	625	Signal Cable 5/8" No. 14 AWG IMSA 19-1-67
273	L.F.	625	Signal Cable 7/8" No. 14 AWG IMSA 19-1-67
394	L.F.	625	Loop Detector Wire, No. 14 AWG, RHW, or RHW Type
221	L.F.	625	Loop Detector Lead-in Cable, 2/c No. 14 AWG, Twisted Pair, Shielded
95	L.F.	625	Power Cable 3/4" No. 8 AWG Stranded RHW, or RHW Type
5	EA.	625	Cable Support Assembly
178	L.F.	625	Loop Detector Pavement Cutting
5	EA.	625	Ground Rod
3	EA.	625	Pull Box 18" Circular 713.09, As Per Plan
40	L.F.	625	Conduit 2" 713.04, Type III
5	L.F.	625	Conduit 3" 713.04, Type III
45	L.F.	625	Trench
9	EA.	625	Covering of Traffic Signal Heads
20	S.F.	815	Signs Flat Sheet Type, As Per Plan
27	L.F.	816	Structural Support, 6" Lb. Beam, DRIVEN
0.14	M.	621	4" Lane Lines, Thermoplastic
0.04	M.	621	Center Lines, Double, Thermoplastic (Solid)
100	L.F.	621	24" Stop Lines, Thermoplastic
123	L.F.	621	16" Broad Transverse Stripes
2	EA.	816	Span Wire Mounted Sign Attachment, As Per Plan

NOTE: SL = Stop Line