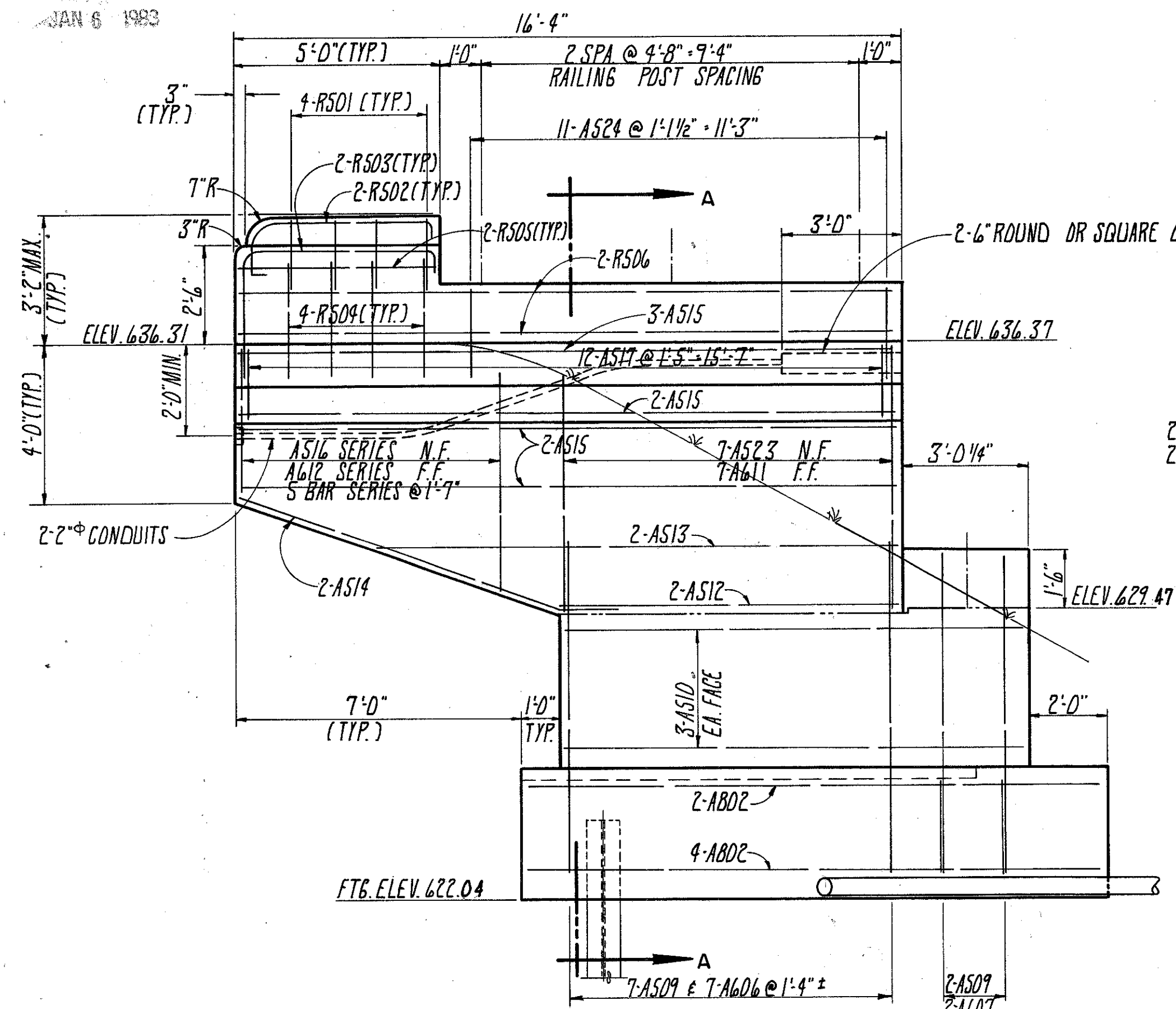


MICROFILMED  
JAN 6 1983

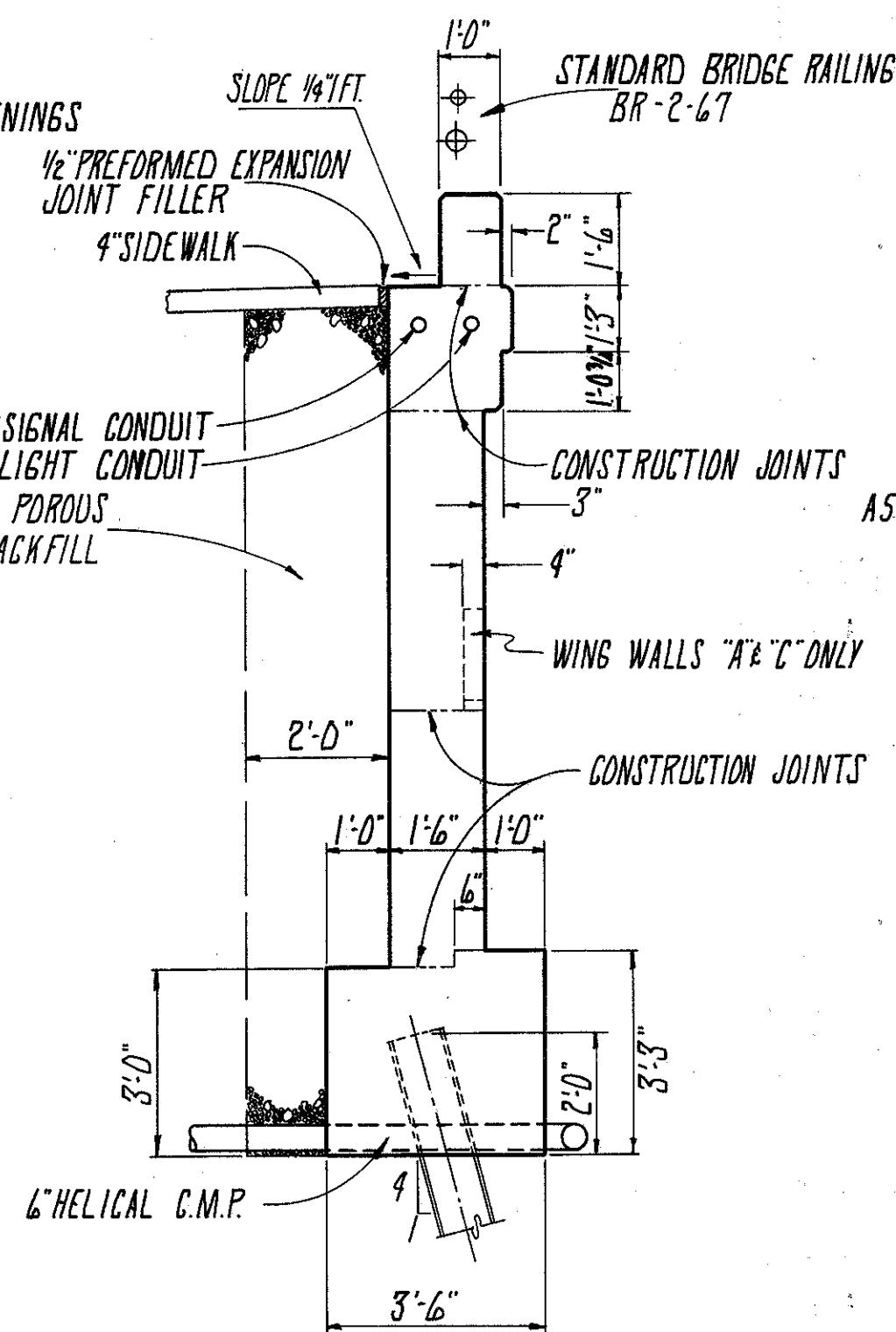
FHWA REGION	STATE	PROJECT
5	OHIO	

67  
85

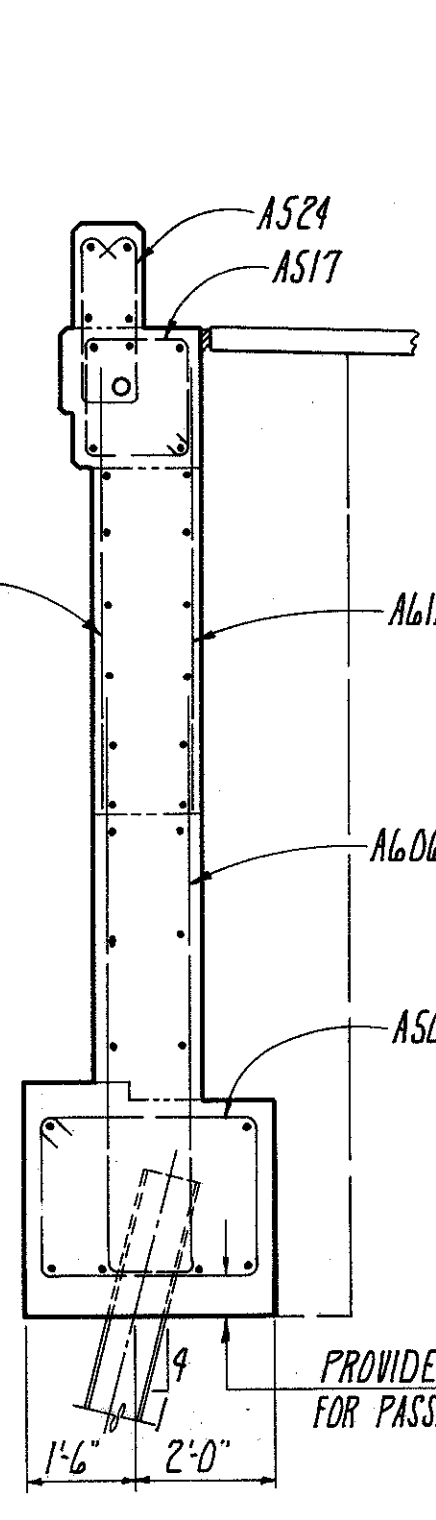
LAKE COUNTY  
LAK-20-5.60



WING WALL "A"

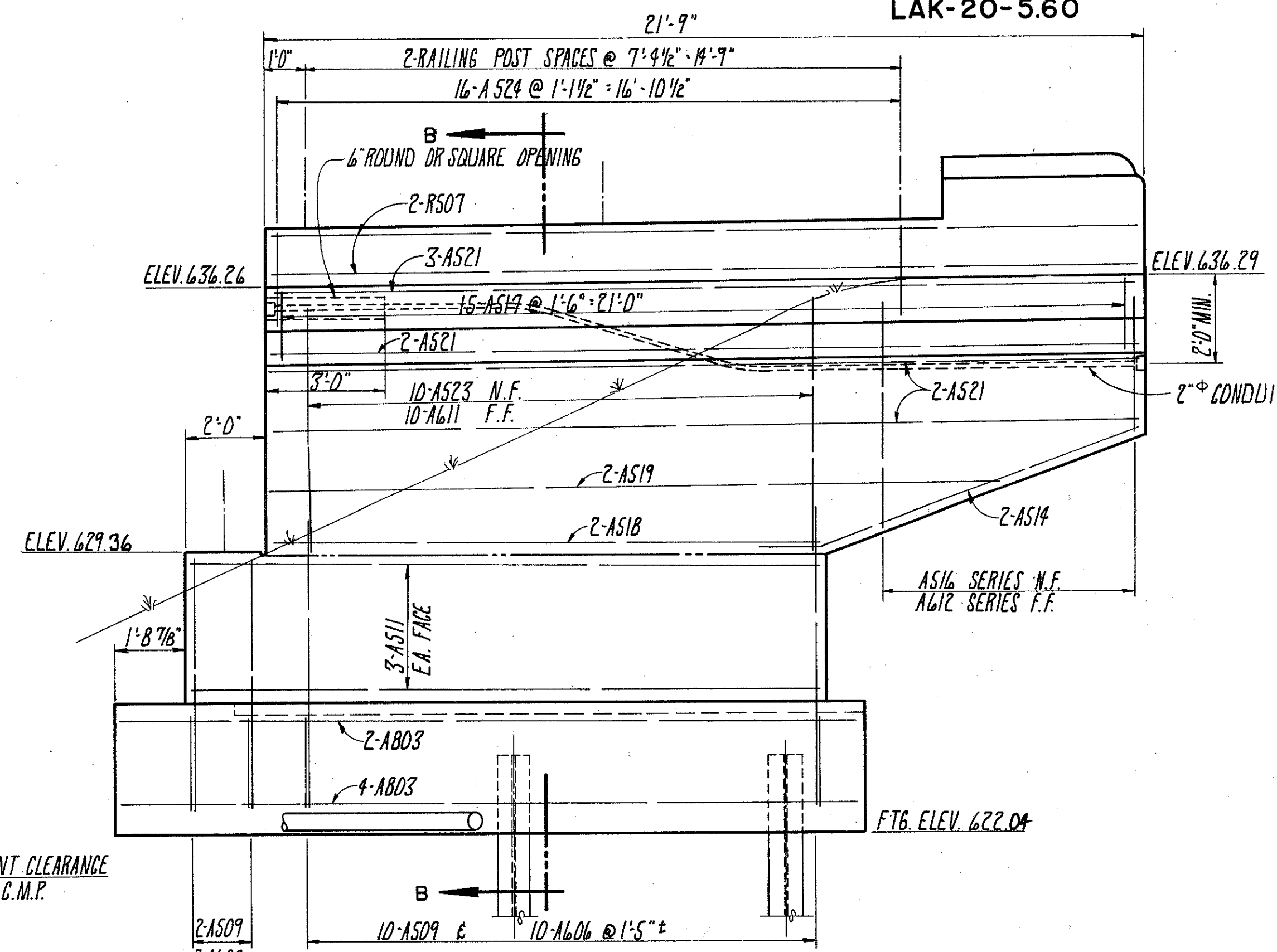


SECTION A-A

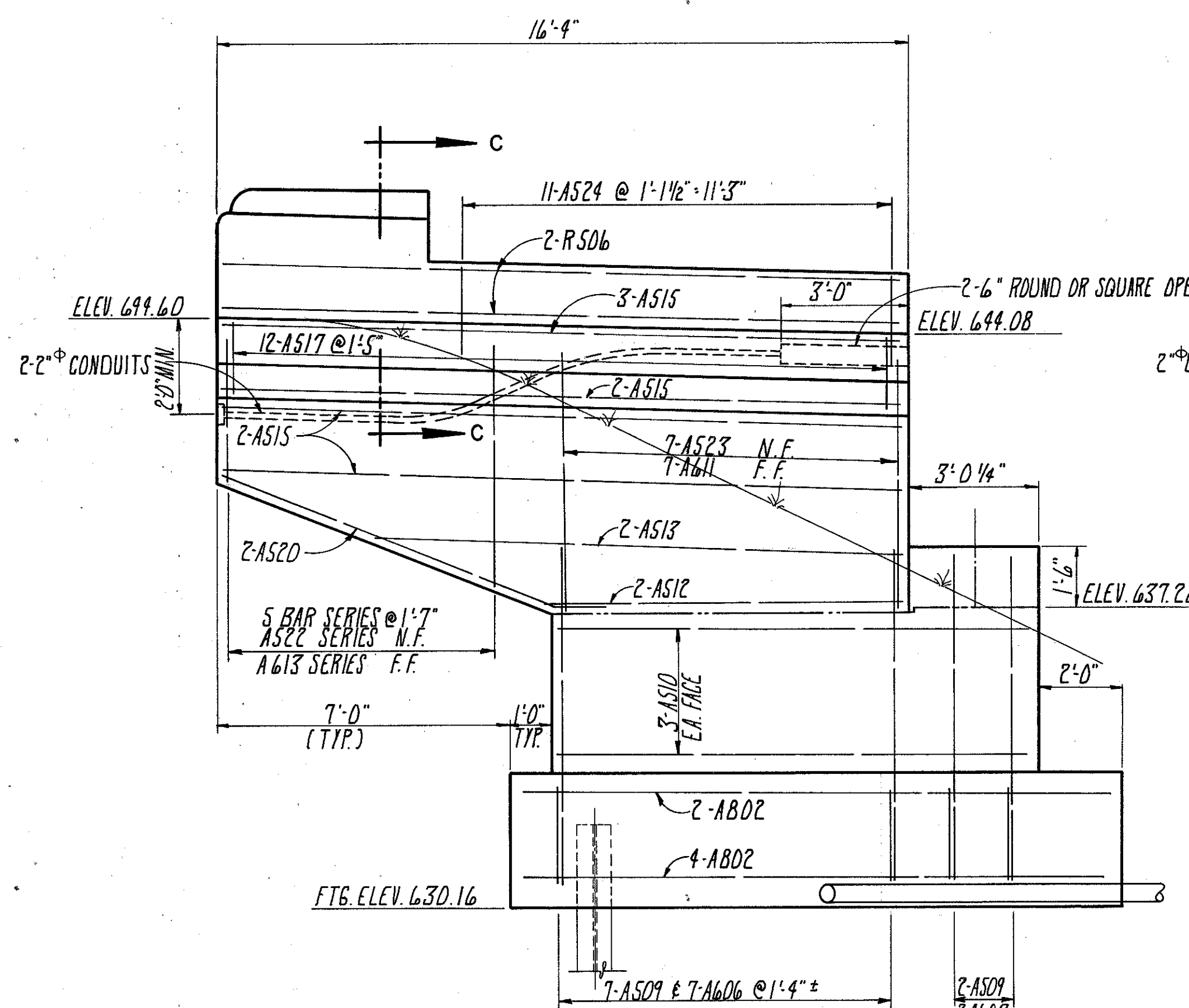


SECTION B-B

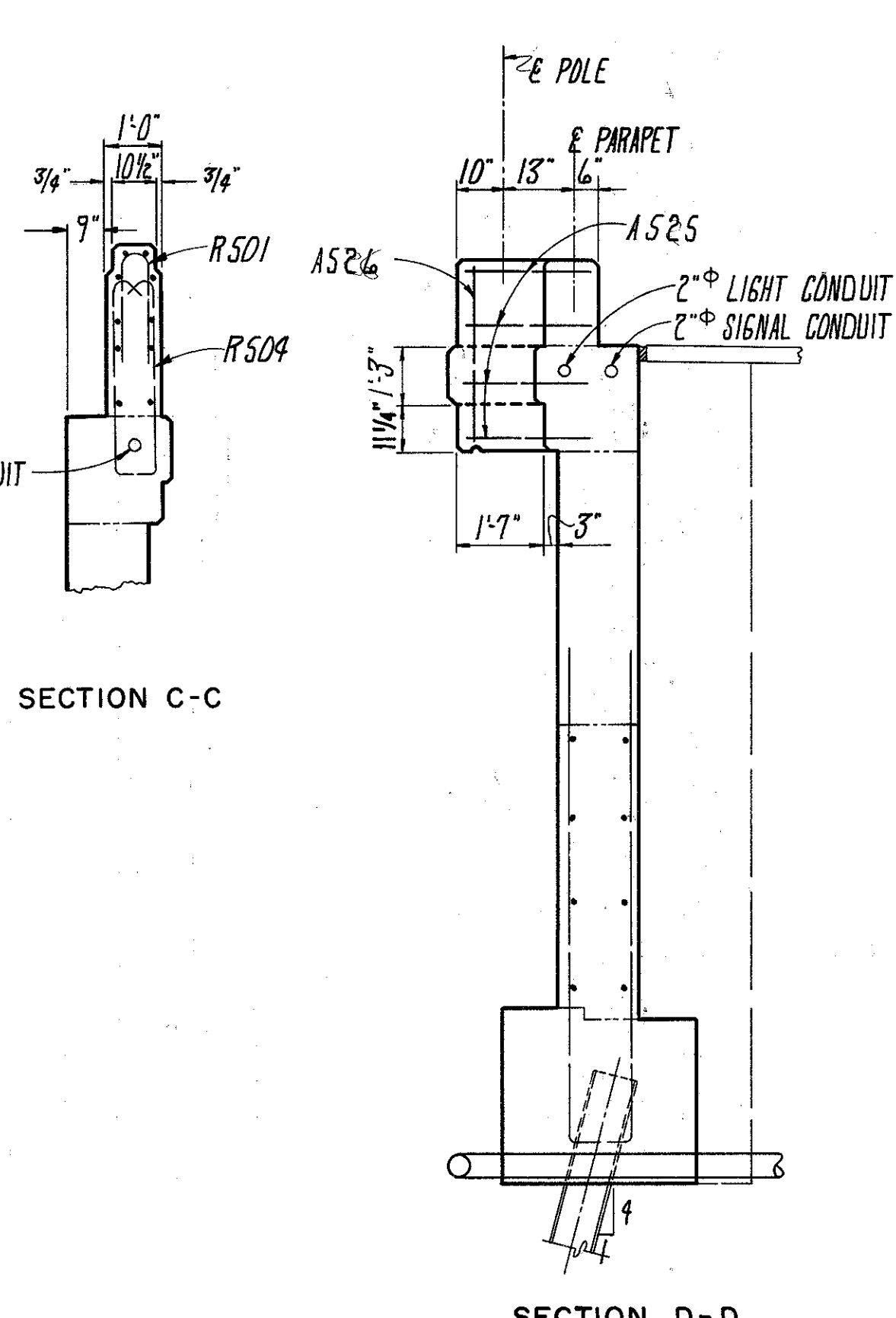
REAR ABUTMENT



WING WALL "B"



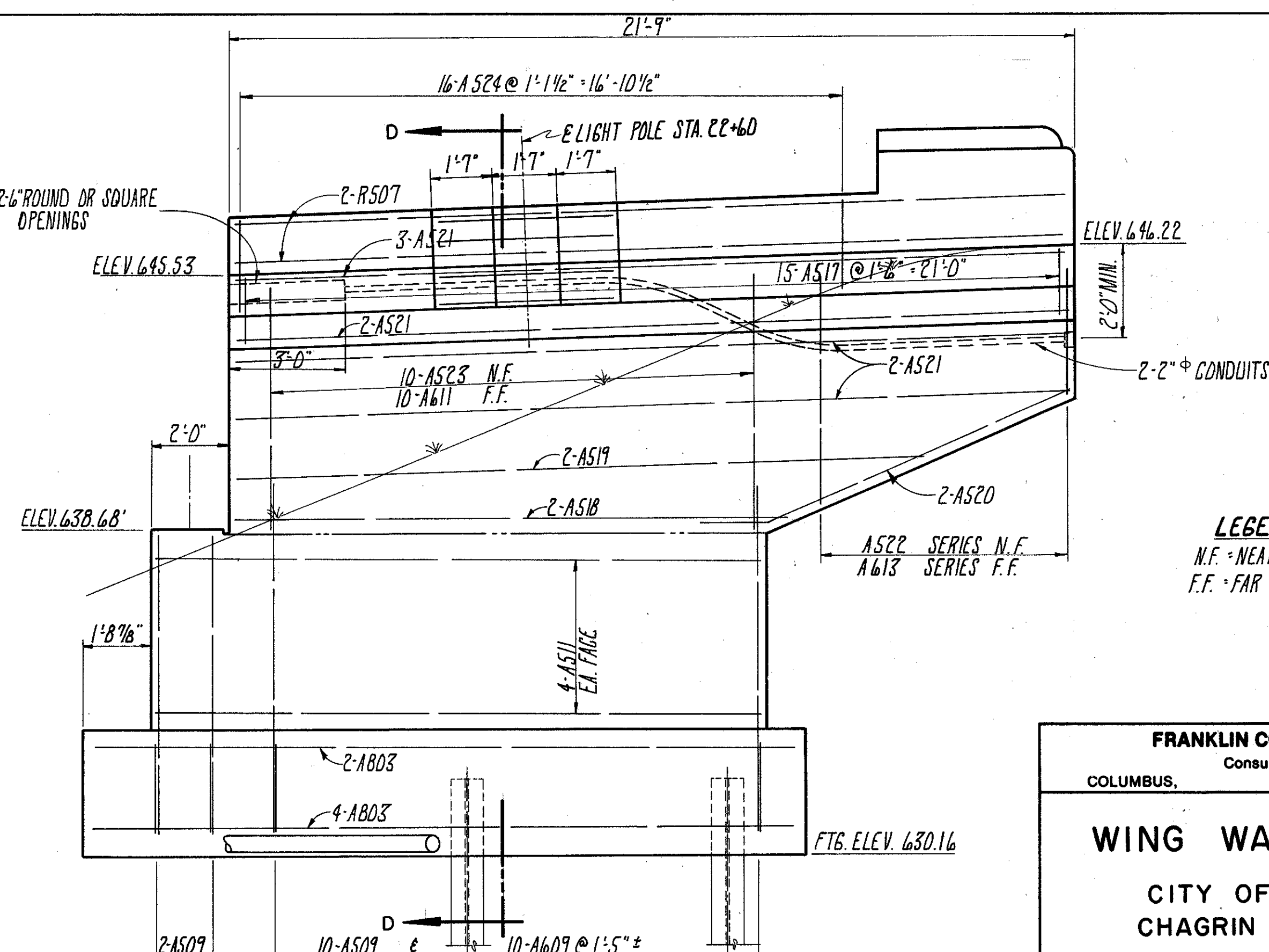
WING WALL "C"



SECTION C-C

SECTION D-D

FORWARD ABUTMENT



WING WALL "D"

LEGEND  
N.F. - NEAR FACE  
F.F. - FAR FACE

FRANKLIN CONSULTANTS INC. 6/14  
Consulting Engineers  
COLUMBUS, OHIO

WING WALL DETAILS  
CITY OF WILLOUGHBY  
CHAGRIN RIVER BRIDGE

DESIGNED	DRAWN	TRACED	CHECKED	REVIEWED	DATE	REVISED
J.M.	B.B.	B.B.	F.A.	J.F.	4/17-77	

BRUNING 44-560 30845