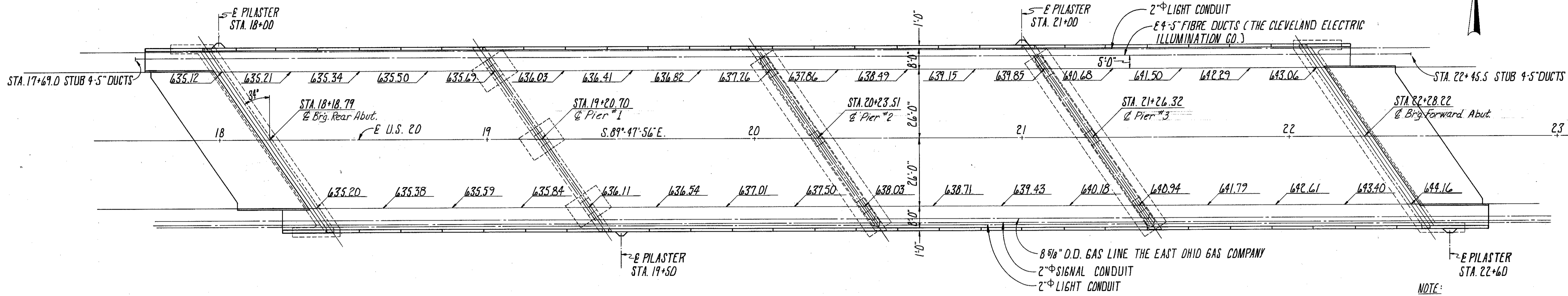


MICROFILMED
JAN 6 1983

FHWA REGION	STATE	PROJECT
5	OHIO	

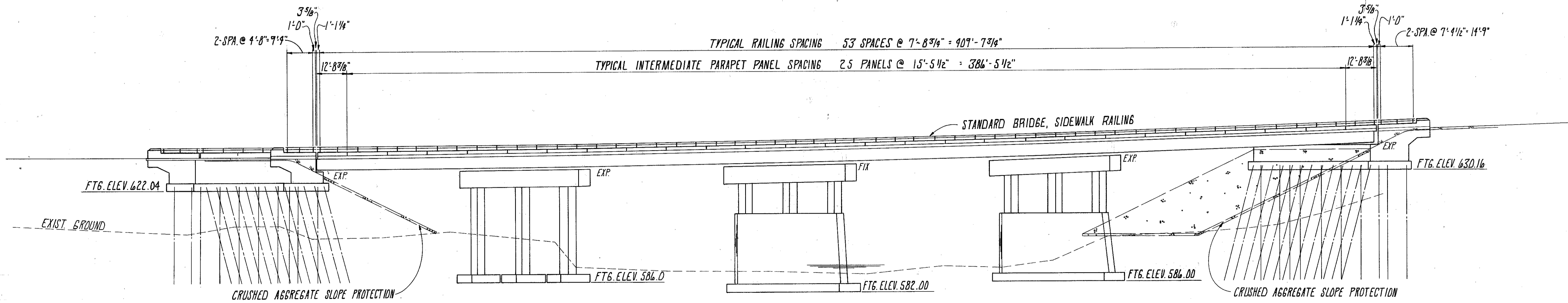
63
85

LAKE COUNTY
LAK-20-5.60



PLAN

NOTE:
ELEVATIONS SHOWN AT GUTTER LINES ARE SCREED ELEVATIONS AT QUARTER POINTS OF SPANS, SCREED ELEVATIONS ARE AT TOP OF CLASS "C" CONCRETE IN DECK WHEN A 1 3/4" LOW SLUMP CONCRETE OVERLAY IS USED. ELEVATIONS INCLUDE DEFLECTIONS FROM WEIGHT OF CAST-IN-PLACE CLASS "C" CONCRETE.



ELEVATION

FRANKLIN CONSULTANTS INC. 2 / 19
Consulting Engineers
COLUMBUS, OHIO

GENERAL PLAN
CITY OF WILLOUGHBY
CHAGRIN RIVER BRIDGE

DESIGNED	DRAWN	TRACED	CHECKED	REVIEWED	DATE	REVISED
FA	BB	BB	AA	JF	5/17-77	

BRUNING 44-560 30845