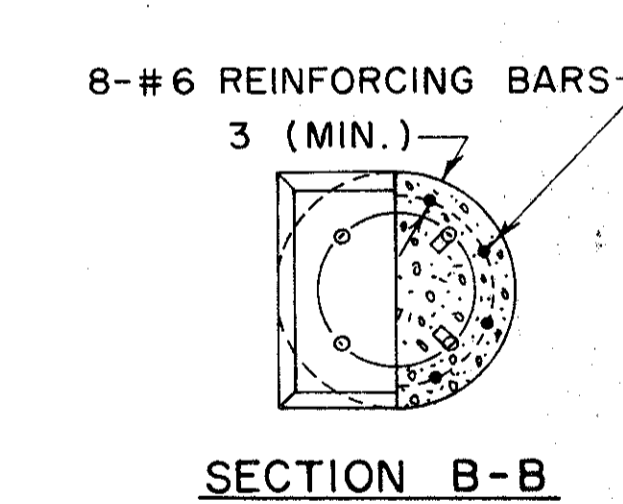
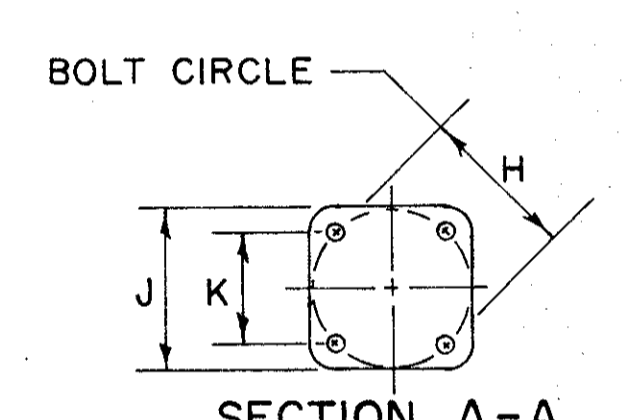
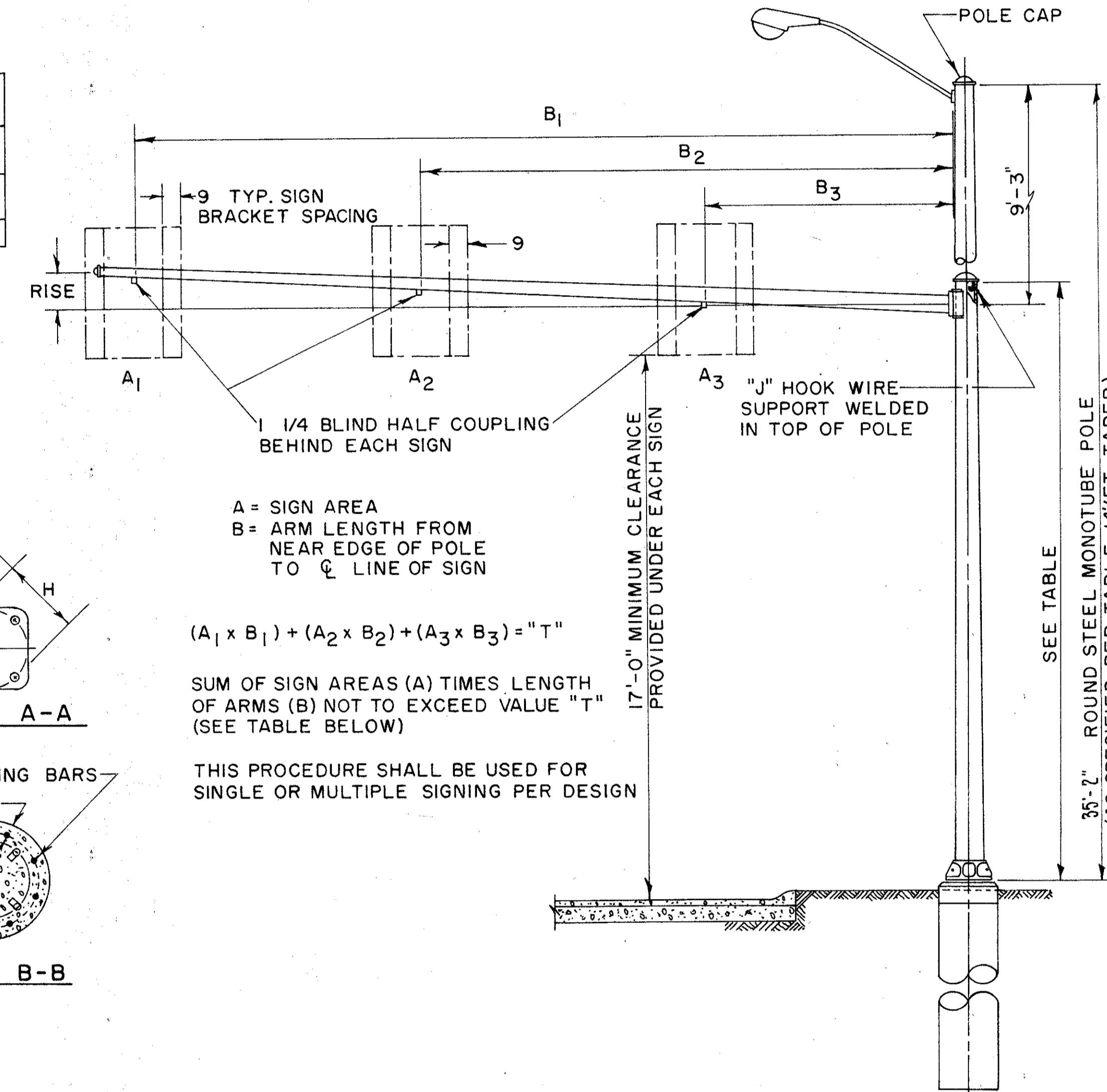
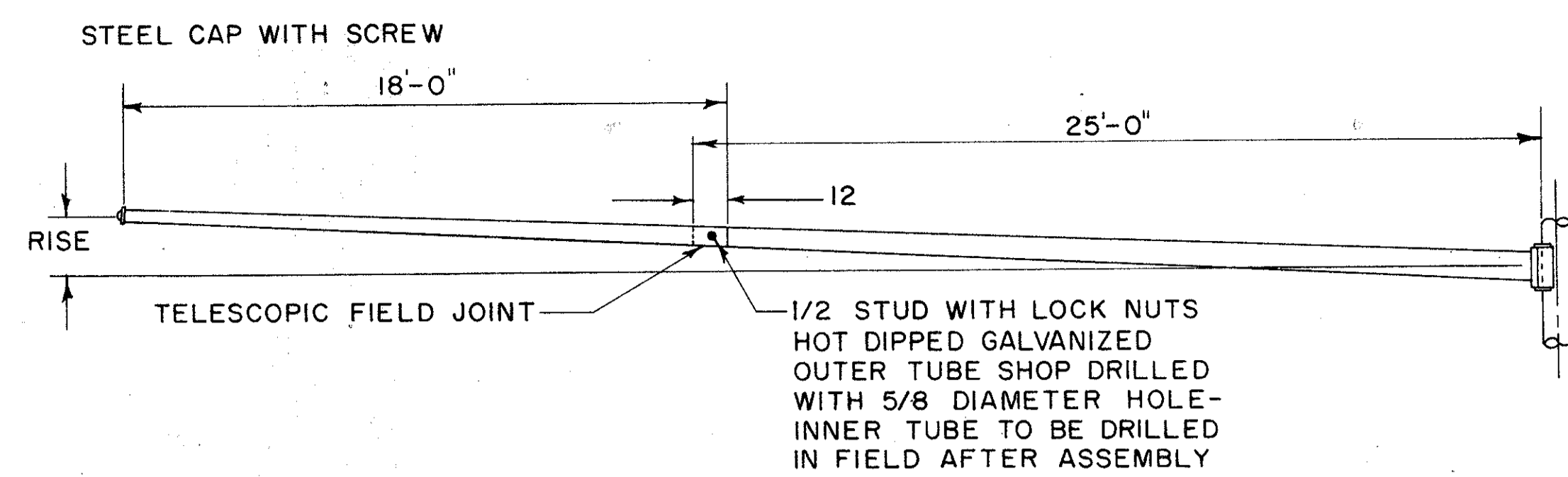


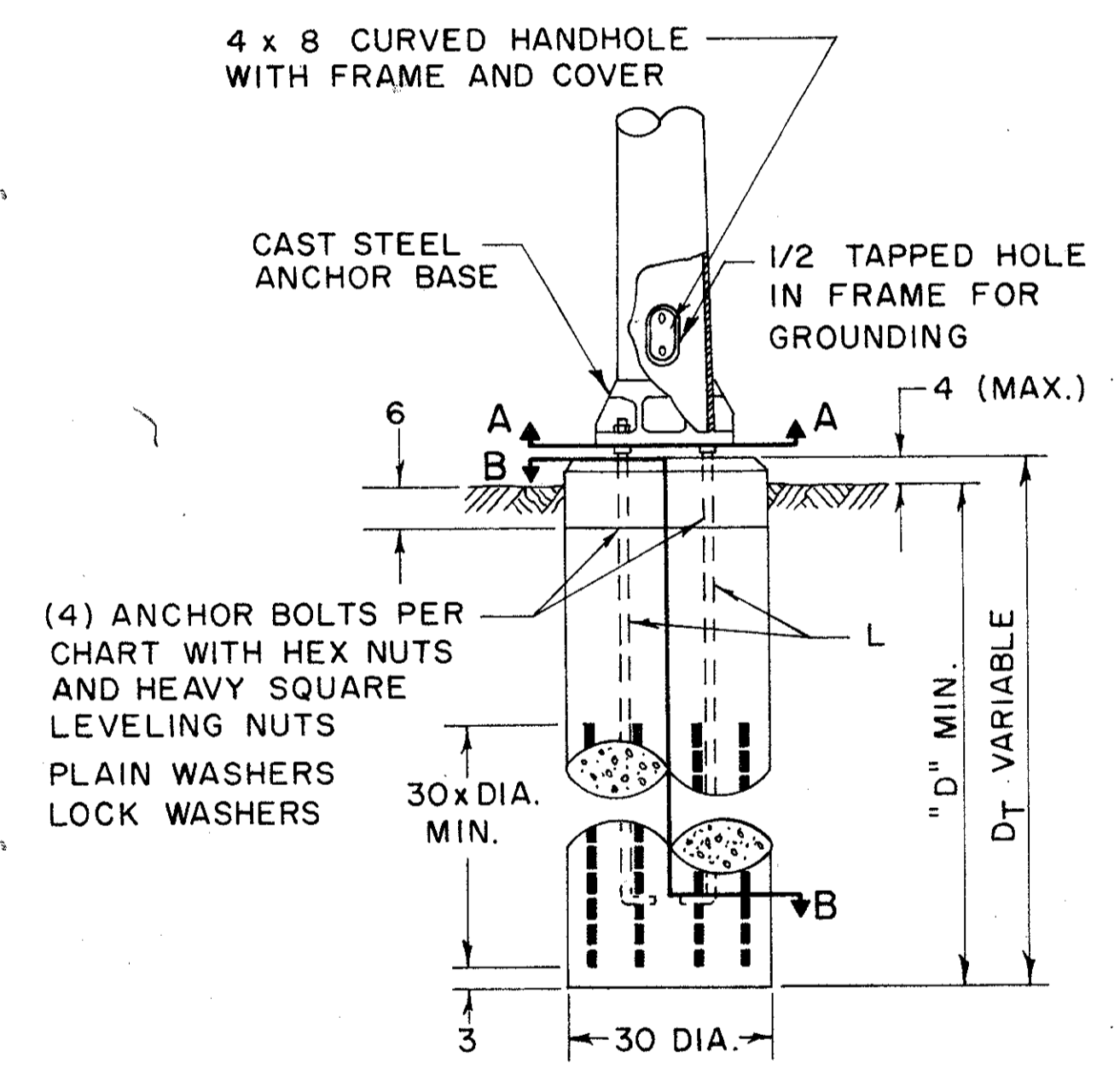
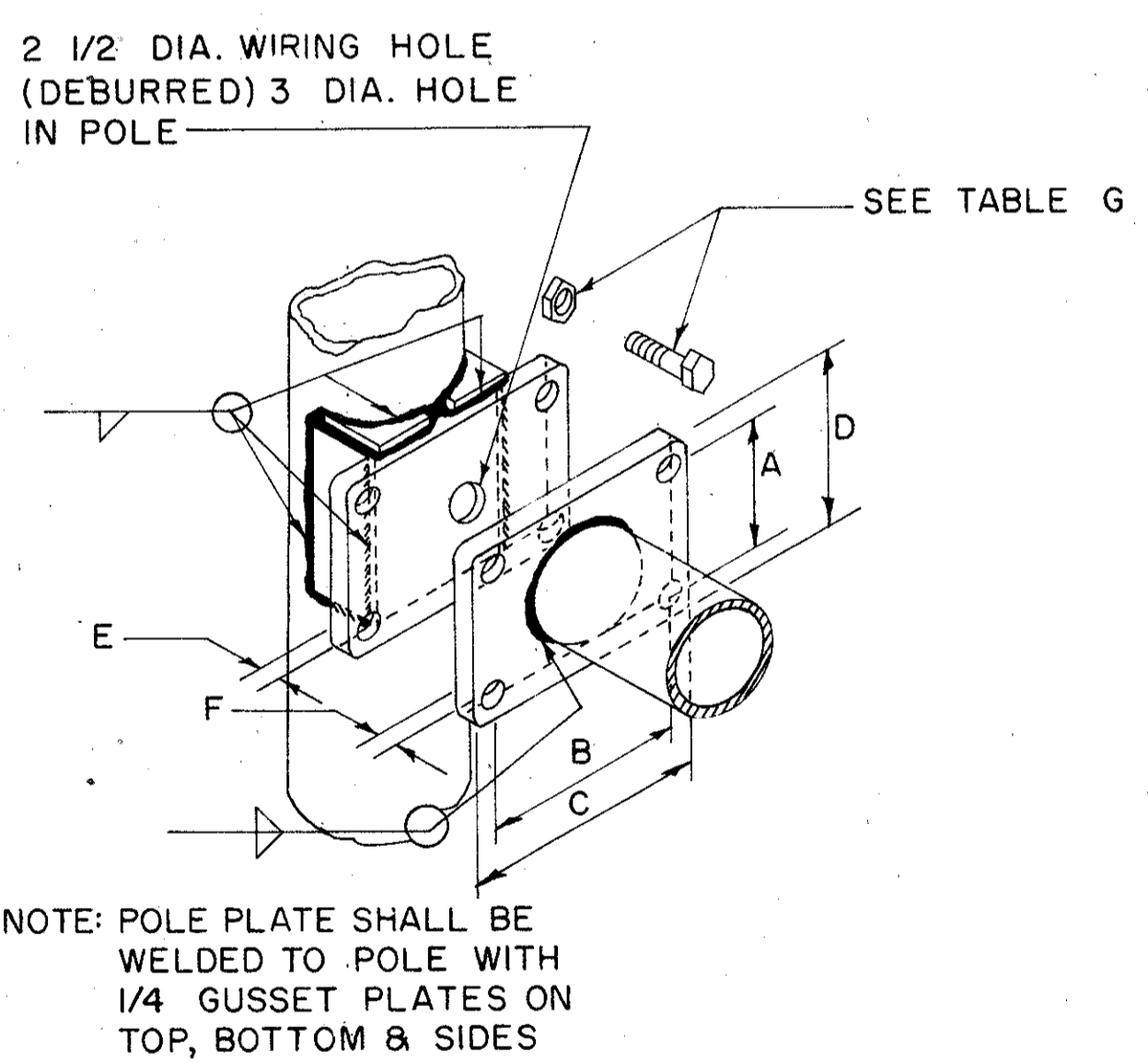
DES. NO.	ARM SIZE
3	2'-9"
4	3'-3"
5	3'-3"
6	4'-3"
7	4'-3"



SIGN BRACKET

SIGN LIGHTING SUPPORT ARM

**SIGN BRACKET & FIXTURE SUPPORT ARM DETAIL**



**FOUNDATION & POLE BASE DETAIL**

**ARM ATTACHMENT DETAIL**

**FRONT ELEVATION & SIGN PLACEMENT DETAIL**

**NOTES**

- MATERIALS**
- |                               |                                 |
|-------------------------------|---------------------------------|
| STEEL                         | SAE 1020                        |
| POLES & ARMS                  |                                 |
| PLATES                        | A 36 AND A 441                  |
| ARM CAP & HANDHOLE COVER      |                                 |
| ARM ATTACHMENT BOLT & NUTS    | A 325                           |
| U-BOLTS                       |                                 |
| ANCHOR BOLTS                  | A 307                           |
| BOLT FOR ARM CAP & NUTS       |                                 |
| CLAMP BODY                    | A 242 AND A 375                 |
| CAST BASE & HANDHOLE FRAME    | A 27 GRADE 65-35                |
| ALL OTHERS                    | 300 SERIES, STAINLESS CLASS "C" |
| CONCRETE                      | ALUMINUM NO.                    |
| ALUMINUM ALLOY                |                                 |
| 3/4 PIPE                      | 6063-T6                         |
| 4 ZEE (SIGN BRACKETS)         | 6061-T6                         |
| PLATES                        | 6061-T6                         |
| POLE TOP                      | # 43                            |
| FINISH                        | ASTM                            |
| GALVANIZING, STRUCTURAL STEEL | A 123                           |
| GALVANIZING STEEL HARDWARE    | A 153                           |
| STAINLESS STEEL               | PASSIVATED                      |
| ALUMINUM ALLOY                | NATURAL                         |
- AFTER FABRICATION TAPERED POLES & ARMS SHALL HAVE A MINIMUM YIELD STRENGTH OF 55,000 PSI.  
ALL MATERIALS SHALL CONFORM TO THE STATE OF OHIO, CONSTRUCTIONS & MATERIALS SPECIFICATION, AND THE SUPPLEMENTAL SPECIFICATIONS 844, OR AS OTHERWISE SPECIFIED.

- SOILS**
- THE FOUNDATION DETAIL SHOWN ARE FOR AVERAGE SOIL CONDITIONS (MEDIUM CLAY, CEMENTED SAND AND GRAVEL, SANDY CLAY, OR STIFF CLAY.)  
FOR POOR SOIL CONDITIONS, INCREASE "D" MIN. BY: 50% IN DRY OR WET SAND, 60% IN SILTY CLAY, 100% IN SOFT CLAY, AND FROM 75% TO 150% IN WET SILT, DEPENDING ON QUICKSAND ACTION.

- FOUNDATIONS**
- THE TOP ELEVATION OF ALL FOUNDATIONS SHALL BE FORMED TO BE FLUSH WITH ADJOINING CONCRETE CONSTRUCTION, OR A MAXIMUM OF 4" ABOVE FINISHED GRADE.

DES. NO.	POLE SIZE	SIGN SIZE	MAX. SIGN AREA	VALUE "T"	RISE		ARM SIZE	ARM ATTACHMENT DATA							ANCHOR BOLT DATA				REINF. BAR		FOUNDATIONS "D" MIN.
					MIN	MAX		A	B	C	D	E	F	G	H	J	K	L	TYPE	NO. REQ'D	
1.	Oga 12" x 9.27" x 19'-6"	2'-6" x 3'-0"	22.5	585	11	24	2-7ga-9.0" x 3.68" x 38'-0"	9	13 1/2	17 1/2	13	2	1 1/4	1 1/4	16	17	11 5/16	1 3/4 x 90	6	8	7'-0"
2.	7ga 11" x 8.27" x 19'-6"	2'-6" x 3'-0"	22.5	315	9	18	7ga-8.0" x 4.08" x 28'-0"	8	12	16	12	1 1/4	1	1	15	15 5/8	10 5/8	1 1/2 x 60	6	8	5'-0"
3.	A Oga 14" x 10.54" x 24'-9" B Oga 14" x 9.38" x 33'-0"	4'-0" x 5'-6"	66.0	1485	11	23	2-7ga-9.0" x 3.96" x 36'-0"	9	13 1/2	17 1/2	13	2	1 1/4	1 1/4	20	20 1/2	14 1/8	2 x 96	6	8	8'-0"
4.	A Oga 14" x 10.54" x 24'-9" B Oga 14" x 9.38" x 33'-0"	4'-0" x 5'-6"	66.0	1881	12	28	2-7ga-10.0" x 6.50" x 25'-0" 7ga-7.0" x 4.48" x 18'-0"	11	14 1/2	18 1/2	15	2	1 1/4	1 1/4	20	20 1/2	14 1/8	2 x 96	6	8	8'-0"
5.	3ga 14" x 11.06" x 21'-0"	4'-0" x 6'-0"	72.0	1848	11	24	3ga-11" x 5.68" x 38'-0"	11	15 1/2	19 1/2	15	2	1 1/4	1 1/4	20	20 1/2	14 1/8	1 3/4 x 90	6	8	7'-6"
6.	3ga 11" x 8.06" x 21'-0"	4'-0" x 6'-0"	72.0	984	9	18	3ga-8.0" x 4.08" x 28'-0"	8	12	16	12	1 1/2	1	1	15	15 5/8	10 5/8	1 3/4 x 90	6	8	7'-6"
7.	Oga 12" x 9.06" x 21'-0"	5'-0" x 7'-0"	105.0	1435	9	18	2-7ga-8.0" x 4.08" x 28'-0"	8	13 1/2	17 1/2	12	2	1 1/4	1 1/4	16	17	11 5/16	1 3/4 x 90	6	8	7'-6"

NOTE: ALL DIMENSIONS ARE IN INCHES UNLESS OTHERWISE SHOWN.

**BUREAU OF TRAFFIC**  
**OHIO DEPARTMENT OF HIGHWAYS**

**OVERHEAD SIGN SUPPORT**

844-16.10

APPROVED \_\_\_\_\_  
ENGINEER OF TRAFFIC

DATE  
5-31-68