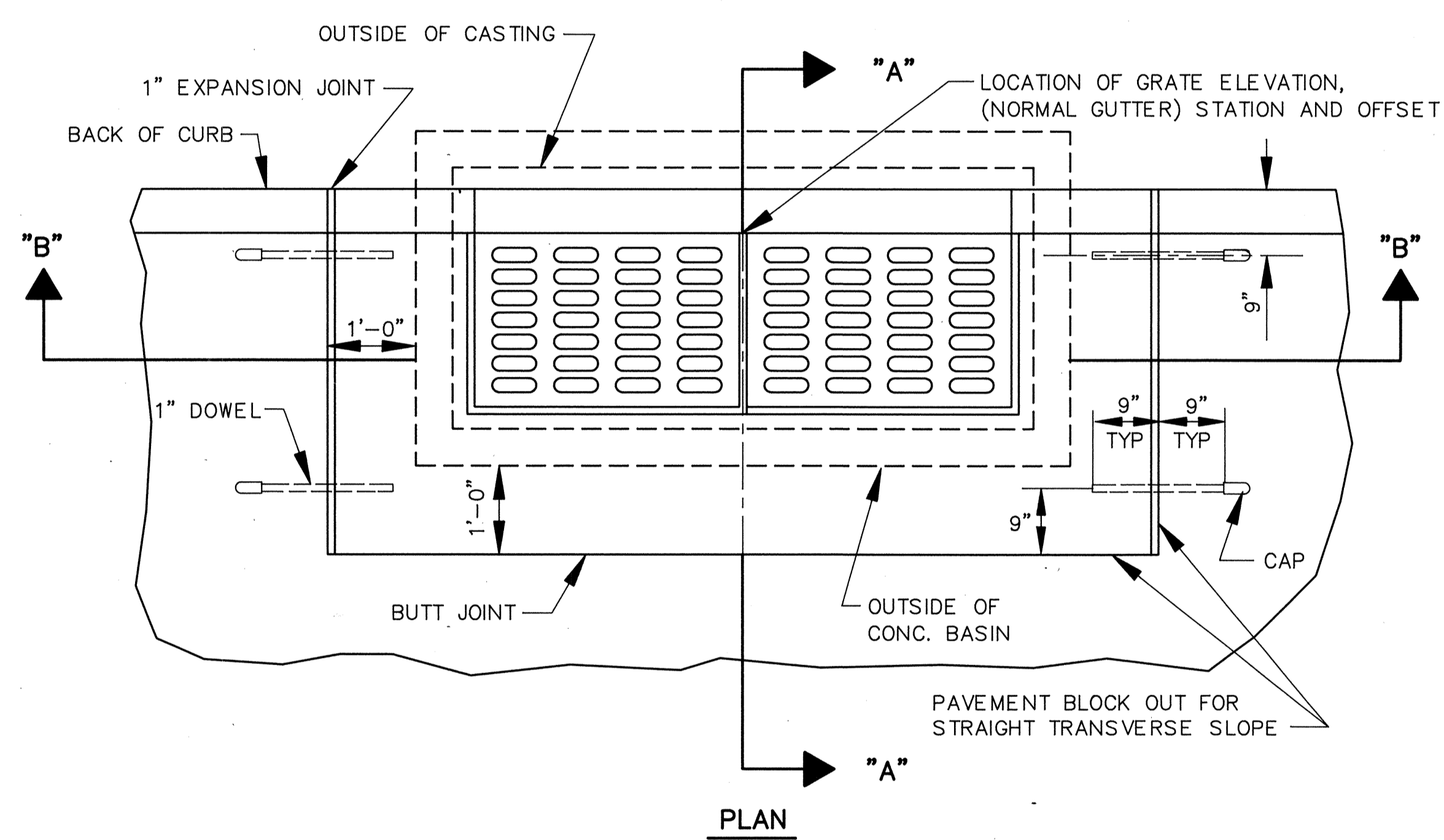
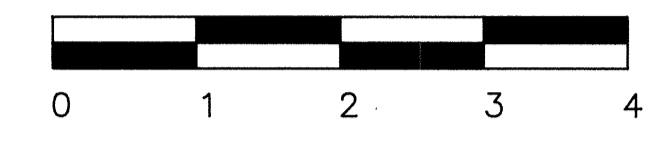
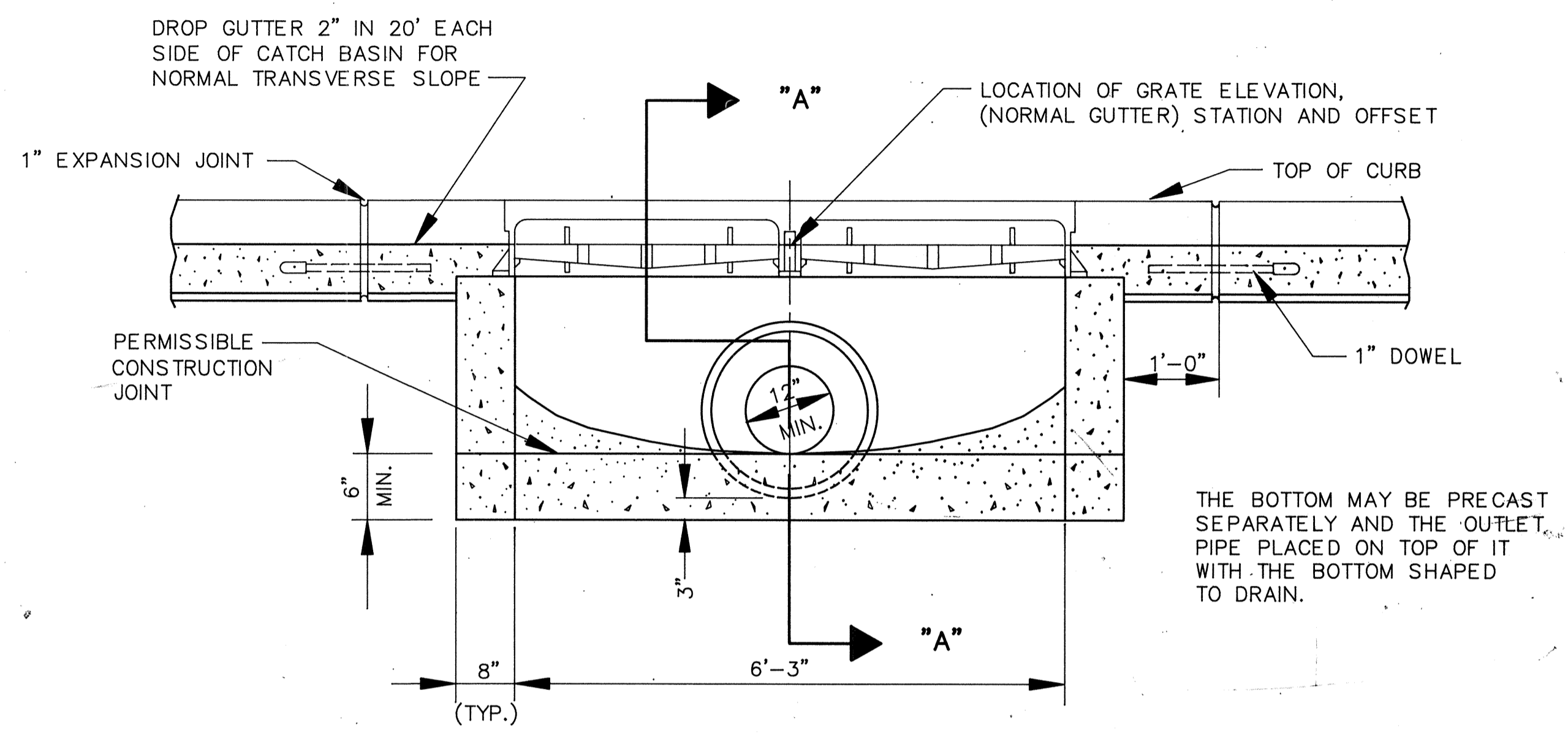


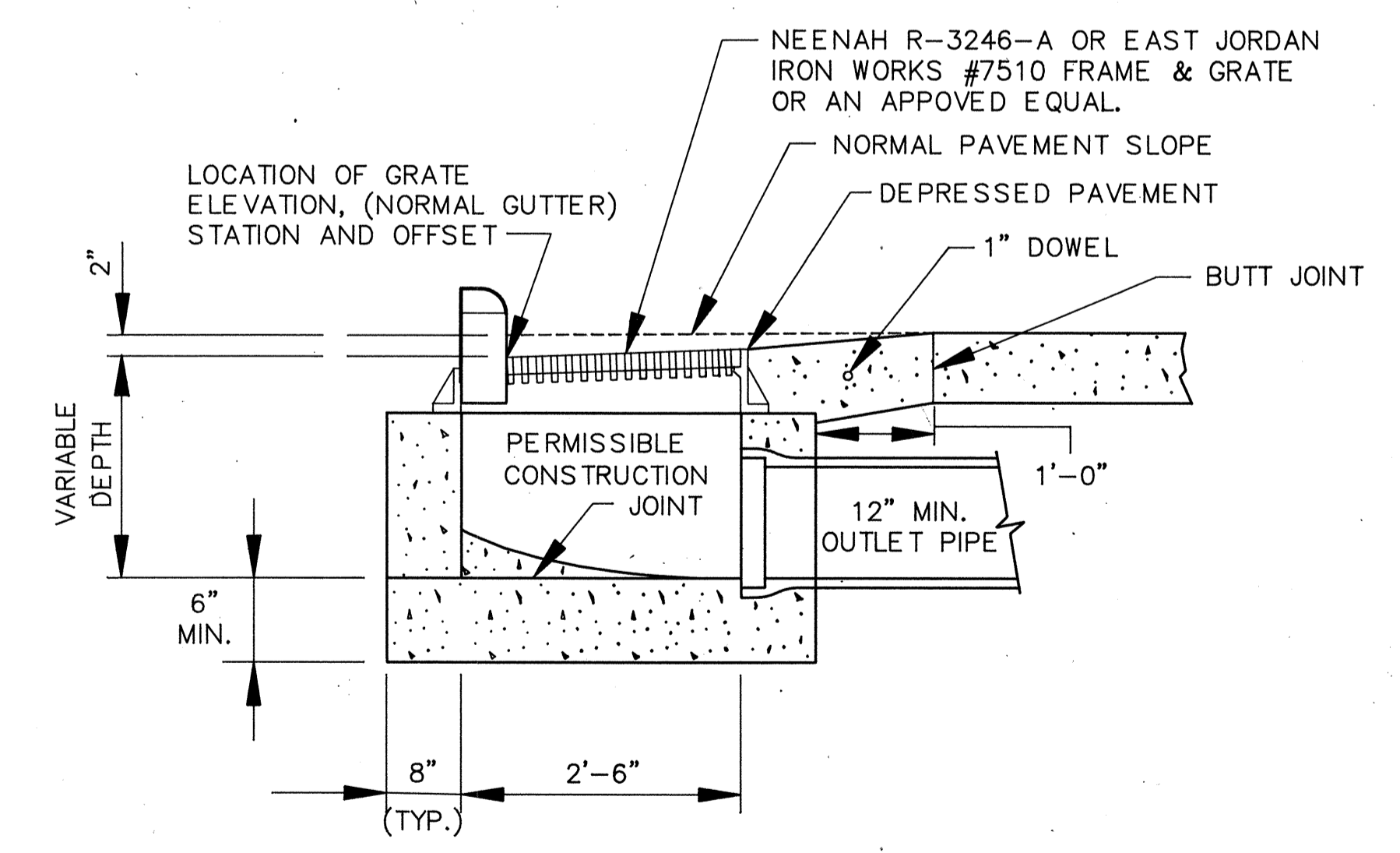
DRAINAGE DETAILS



CATCH BASIN, NO. 3 AS PER PLAN
SCALE: 3/4" = 1'-0"



SECTION "B - B"



SECTION "A - A"

LAK 3622 2/18

U.S. ROUTE 20