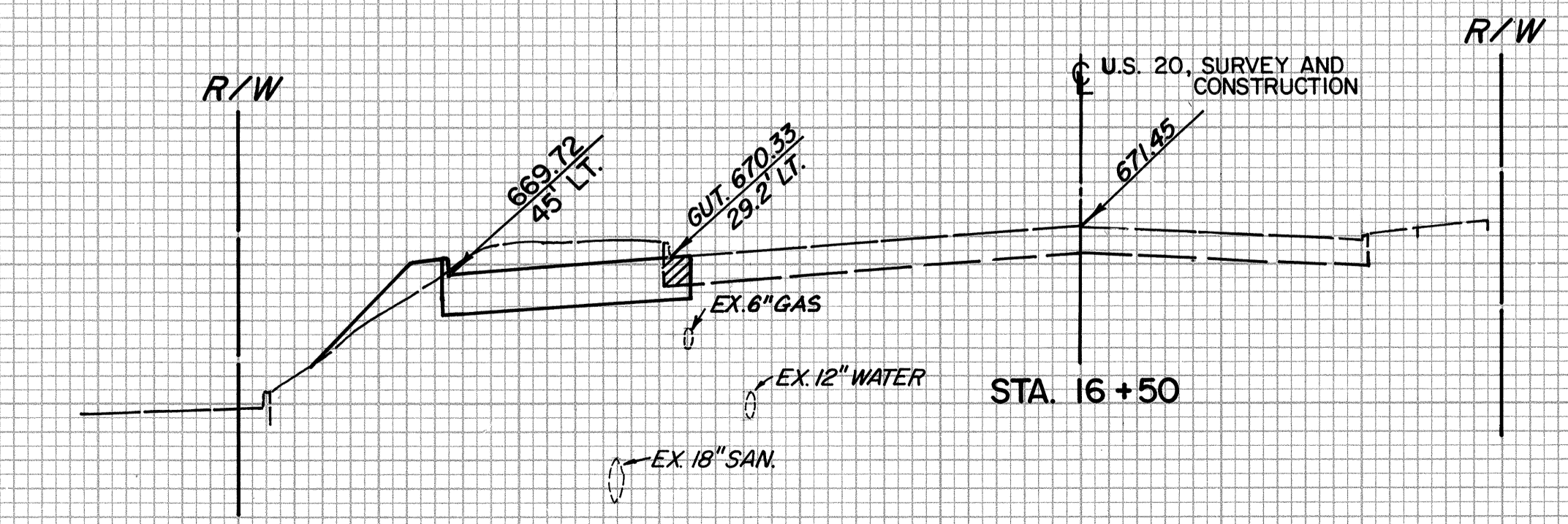
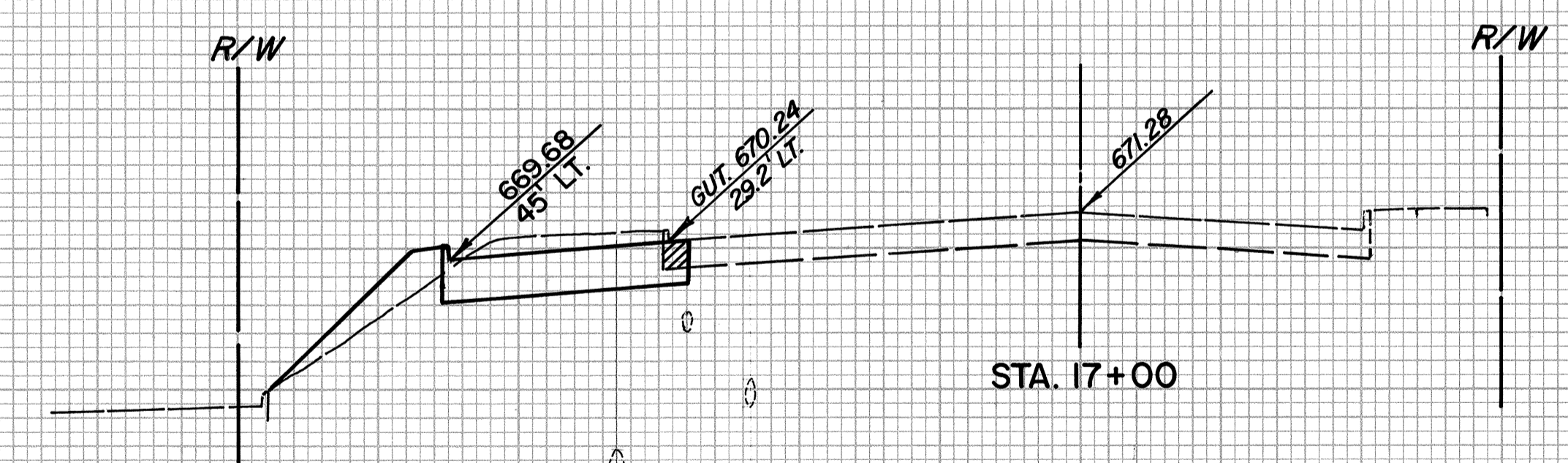
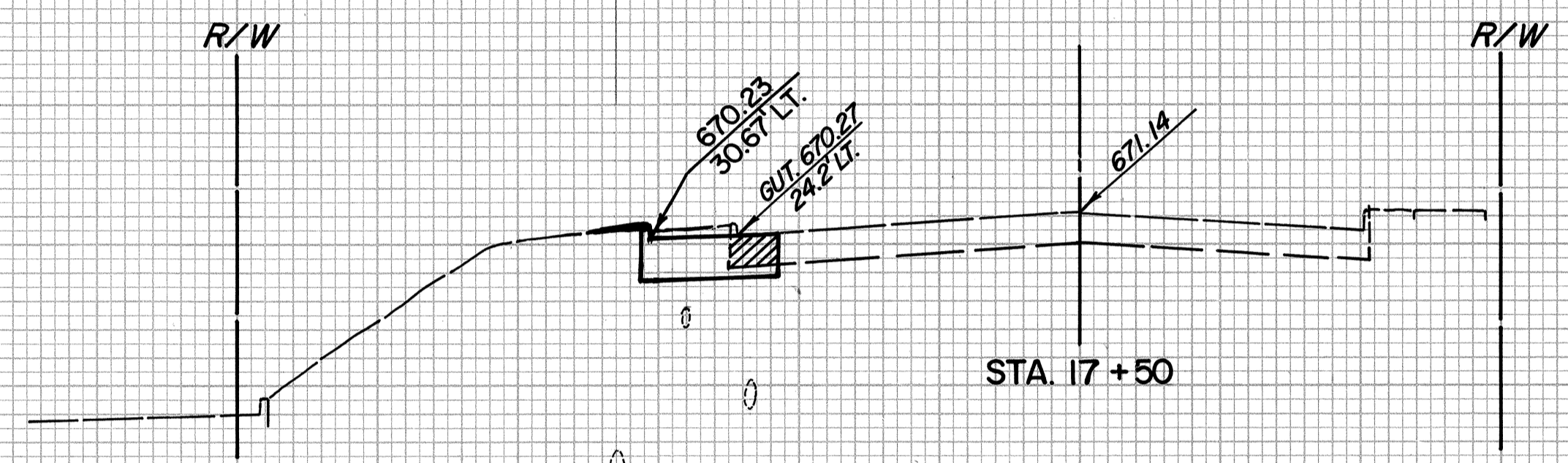
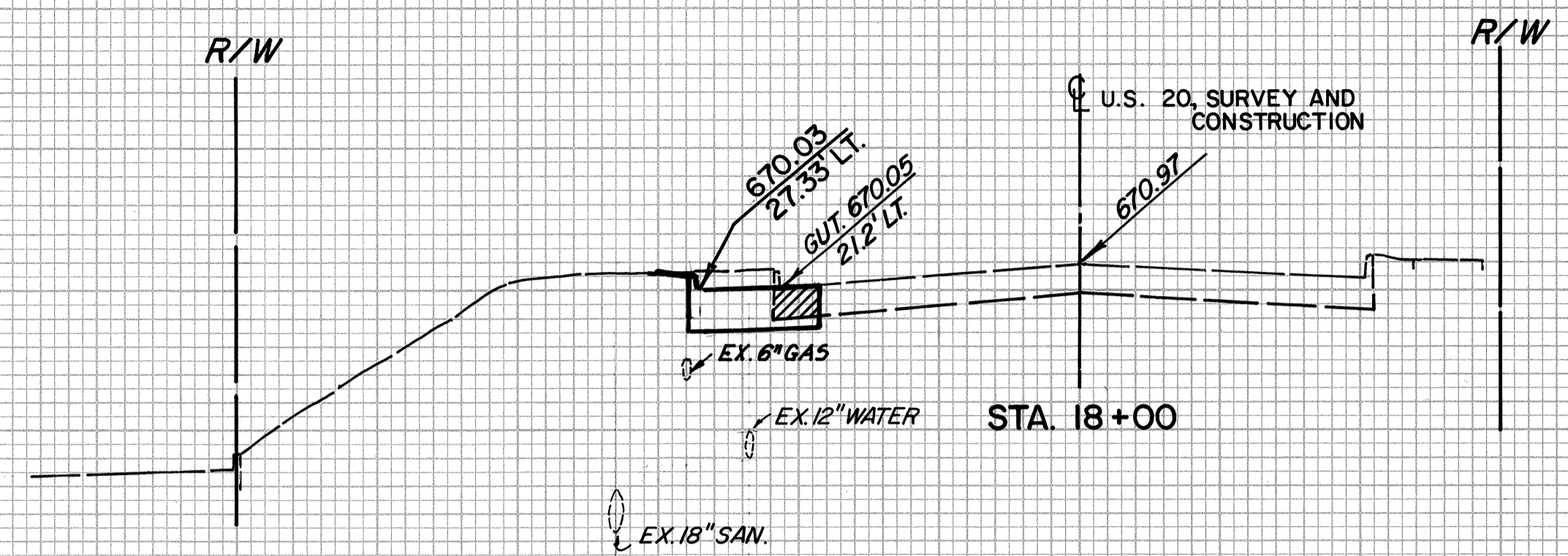


CALC. BY JG
 DATE 2-89
 CHKD. BY LME
 DATE 9-20-89

SEEDING	
END WIDTH	SQUARE YDS
13	75
14	72
12	67
12	67

FINAL SURVEY NOTE BOOK NO. _____
 SURVEYED BY _____
 PLOTTED BY _____
 AREAS CHECKED _____

DATE _____
 ORIGINAL SURVEY NOTE BOOK NO. _____
 SURVEYED BY _____
 PLOTTED BY _____
 AREAS CHECKED _____



END	AREA		VOLUME	
	CUT	FILL	CUT	FILL
675				
670	18	0		
665			32	1
675				
670	17	1		
665			48	13
675				
670	35	13		
665			69	19
675				
670	40	7		
665			67	11