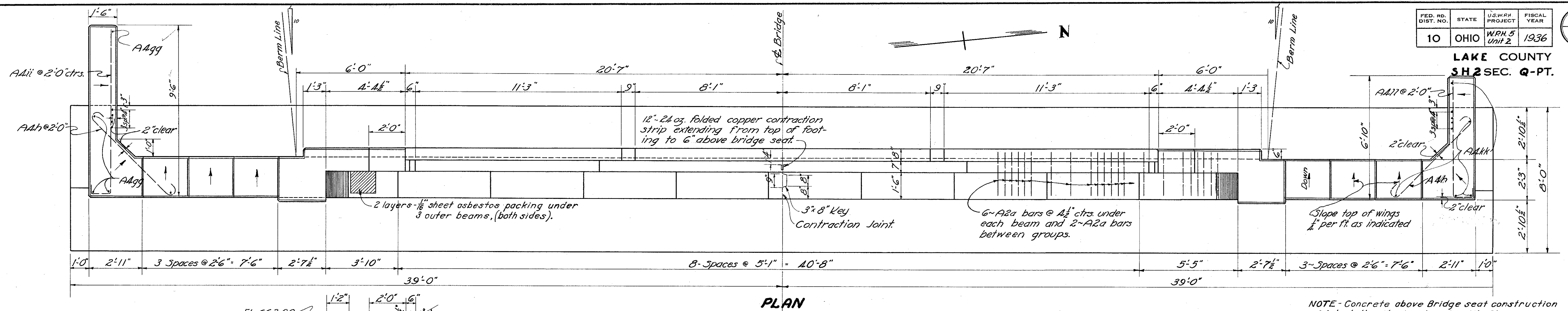
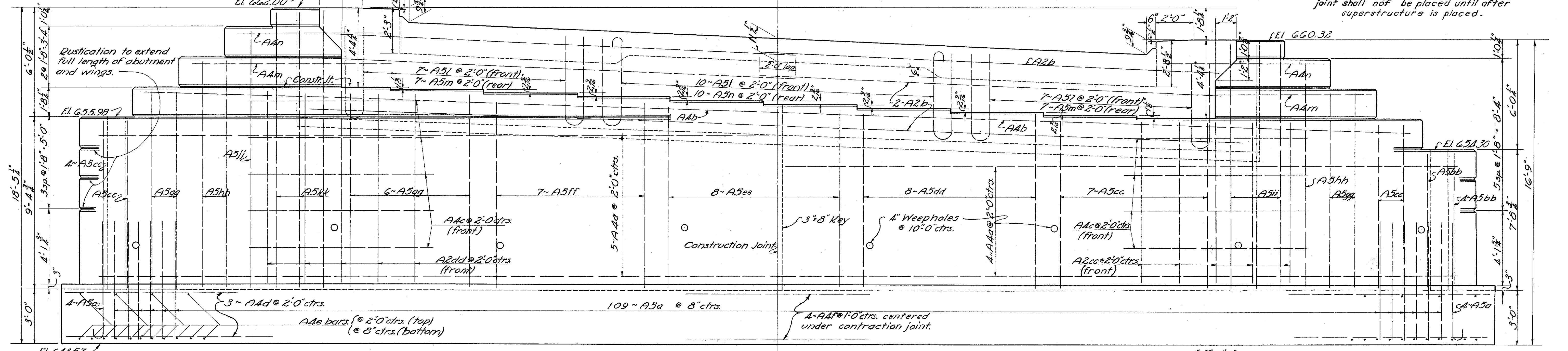


LAKE COUNTY
S.H. 2 SEC. Q-P.T.



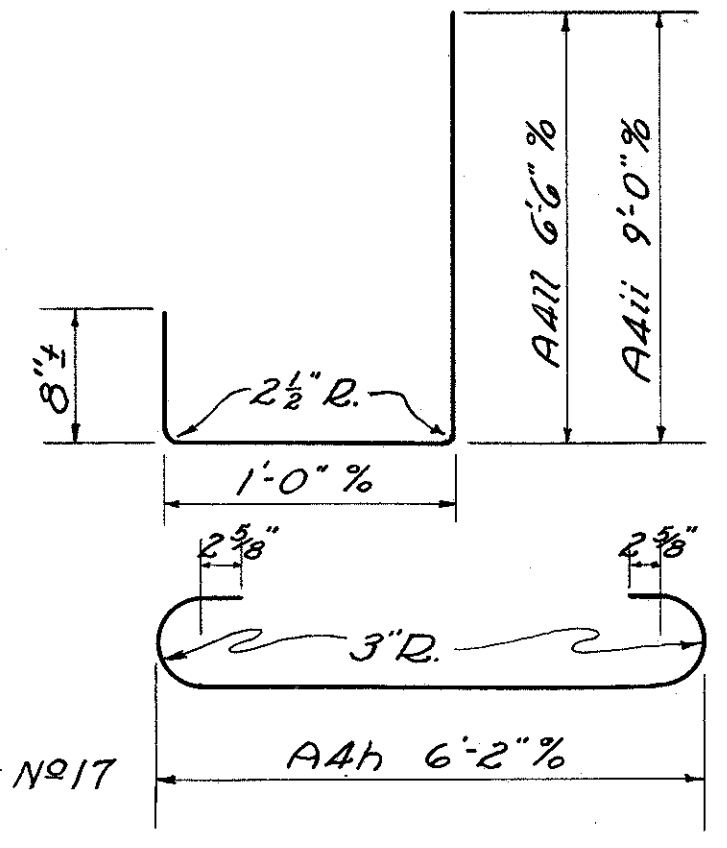
NOTE - Concrete above Bridge seat construction joint shall not be placed until after superstructure is placed.



WEST ABUTMENT STEEL LIST

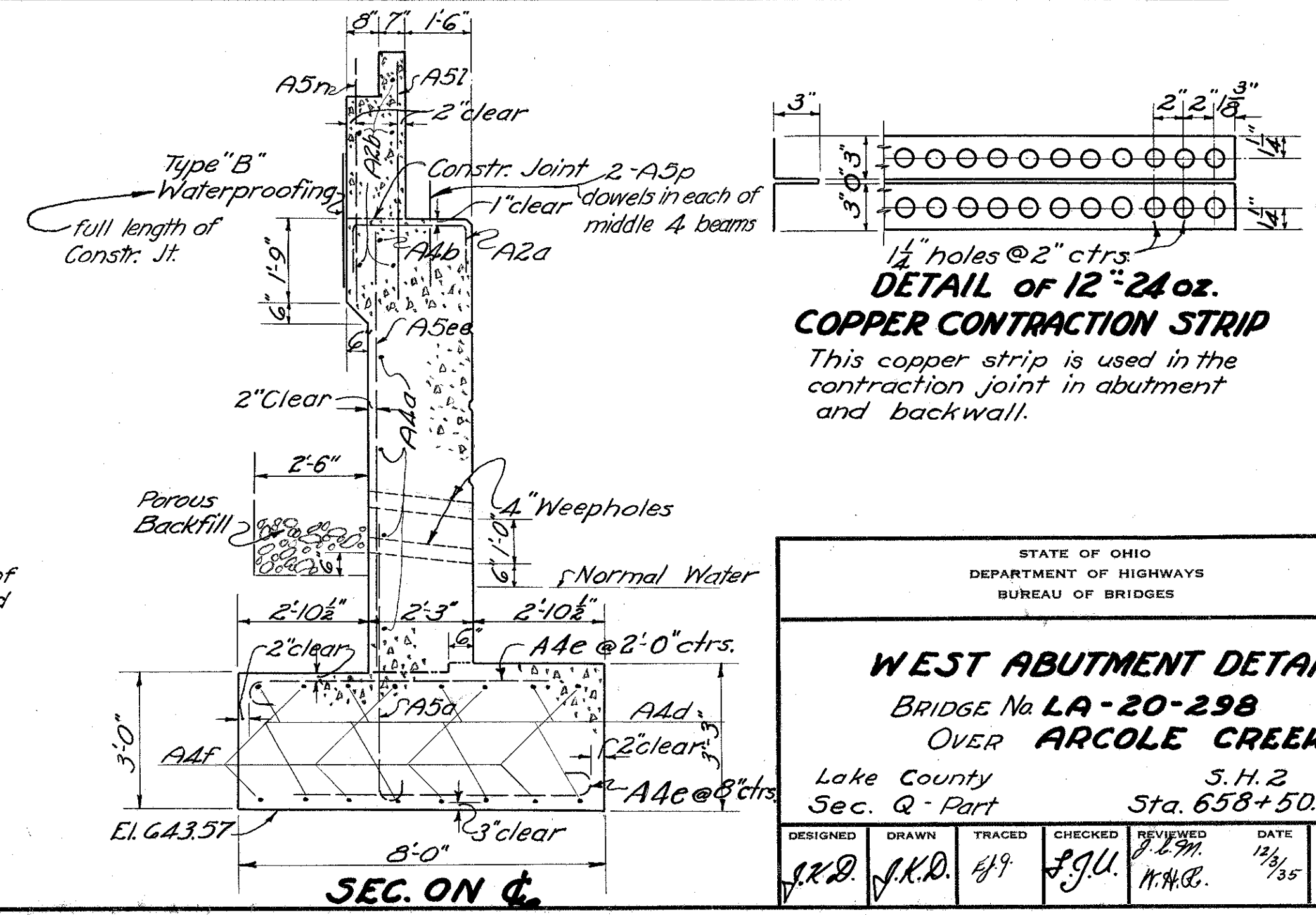
Mark	Size	No.	Length	Weight	Shape	Mark	Size	No.	Length	Weight	Shape	
A5a	3/8"	117	6'-9"	1,190	Bt.	A4ii	3/8"	5	10'-6"	50	Bt.	
A5bb	3/8"	5	7'-6"	60	St.	A4kk	3/8"	5	7'-3"	40	St.	
A5cc	3/8"	14	9'-0"	190	St.	A4ll	3/8"	4	8'-0"	30	Bt.	
A5dd	3/8"	8	9'-6"	110	St.	A4mm	3/8"	2	8'-6"	20	St.	
A5ee	3/8"	8	9'-9"	120	St.	A4nn	3/8"	2	11'-0"	20	St.	
A5ff	3/8"	7	10'-3"	110	St.							
A5gg	3/8"	10	10'-9"	160	St.	A2a	1/2"	78	4'-3"	220	Bt.	
A5hh	3/8"	3	12'-6"	60	St.	A2b	1/2"	10	25'-0"	170	St.	
A5ii	3/8"	3	13'-6"	60	St.	A2cc	1/2"	3	8'-9"	30	St.	
A5jj	3/8"	1	14'-3"	20	St.	A2dd	1/2"	5	10'-6"	40	St.	
A5kk	3/8"	3	15'-3"	70	St.							
A5l	3/8"	24	10'-6"	380	Bt.							
A5m	3/8"	14	8'-0"	170	Bt.							
A5n	3/8"	10	10'-9"	160	Bt.							
A5o	3/8"	8	2'-0"	20	St.							
A4a	3/8"	9	36'-6"	340	St.							
A4b	3/8"	2	34'-0"	70	St.							
A4c	3/8"	9	10'-0"	90	St.							
A4d	3/8"	18	27'-6"	520	St.							
A4e	3/8"	154	7'-0"	1130	Bt.							
A4f	3/8"	8	10'-0"	80	St.							
A4gg	3/8"	5	8'-9"	50	St.							
A4h	3/8"	9	7'-9"	70	Bt.							
Total											5850	lbs.

* See East Abutment Sheet No 17 for Diagrams.



DETAIL OF RUSTICATION

Porous backfill shall extend full length of abutment between turn back wings and shall extend up to surface of ground.



STATE OF OHIO
DEPARTMENT OF HIGHWAYS
BUREAU OF BRIDGES

WEST ABUTMENT DETAILS
BRIDGE No LA-20-298
OVER ARCOLE CREEK

Lake County
Sec. Q-Part

S.H. 2
Sta. 658+50.00

DESIGNED	DRAWN	TRACED	CHECKED	REVIEWED	DATE	REVISED
J.R.D.	J.K.R.	H.Y.	S.J.U.	M.H.R.	12/31/35	