

ESTIMATED QUANTITIES

Item	E. Abut.	W. Abut.	Superstr.	General	Total
E-2 Excavation for Structures, Wet	140	145			285 cu. yds.
E-2 Excavation for Structures, Dry	70	70			140 cu. yds.
E-2 Porous Backfill				Lump	Lump Sum
S-1 1:5 1/2 Concrete, superstructure			132		132 cu. yds.
S-1 1:6 1/2 Concrete, walls	74	80			154 cu. yds.
S-1 1:6 1/2 Concrete, footings	67	72			139 cu. yds.
S-3 Type B Waterproofing	16	16			32 sq. yds.
S-4 Reinforcing Steel	5400	5850	36890	140	48,280 Lbs.
S-5 11/4" reinforced concrete approach slabs				806	80.6 sq. yds.
S-7 Structural Steel			1000		1000 lbs.
S-9 Folded copper strip (12" @ 24 oz.)	10	11			21 lin. ft.
S-9 1/2" Premolded expansion joint Filler	20				20 sq. ft.
S-9 Cast Leaded Bronze Sliding Plates				290	290 lbs.
S-14 Bridge Railing, Concrete				97.	97 lin. ft.
S-15 Temporary run-around Bridge & Approaches *				Lump	Lump Sum
S-24 Removal of Existing Bridge				Lump	Lump Sum
T-8 Cast Iron Scuppers, Type Special				4	4 pcs.
E-2 Cofferdams & Pumping				Lump	Lump Sum
T-70 3/4" Concrete Surface Course (Including rolled curbs)				218.2	218.2 sq. yds.
S-9 1/2" Sheet Asbestos Packing		21			21 Sq. Ft.

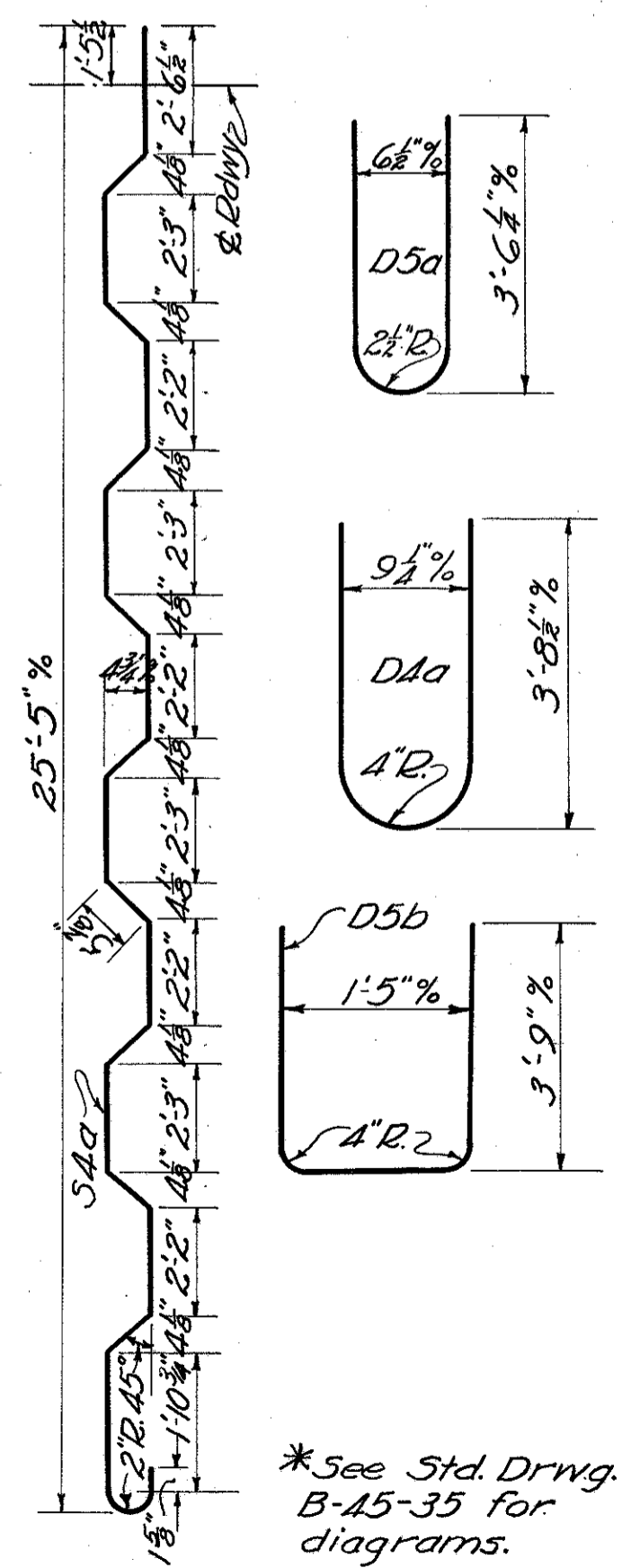
* This item includes Maintaining "two way Traffic" between Stas. 651+00 and 655+77.

SUPERSTRUCTURE STEEL

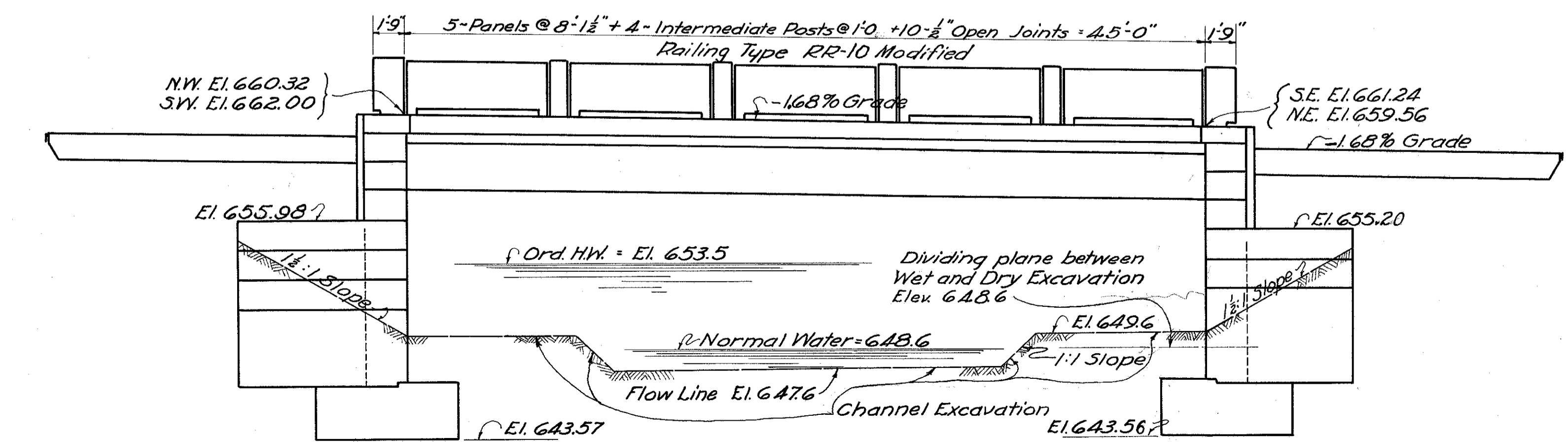
Mark	Size	No	Length	Weight	Shape
* T0a	1 1/2"	40	49'-9"	10,580	Bt.
* T0b	1 1/2"	40	48'-0"	10,210	Bt.
* T7a	1"	20	37'-3"	1,990	Bt.
* T2a	3/4"	400	7'-9"	2,070	Bt.
* C4a	5/8"	96	3'-6"	350	Bt.
* C4b	5/8"	8	25'-0"	210	St.
S4a	3/8"	92	27'-3"	2,620	Bt.
S4b	3/8"	90	25'-6"	2,400	St.
S4c	3/8"	24	25'-0"	630	St.
* S4d	3/8"	90	4'-3"	400	Bt.
S2a	1/2"	90	25'-6"	1,530	St.
S2b	1/2"	156	25'-0"	2,610	St.
* S2c	1/2"	126	5'-3"	440	Bt.
* S2d	1/2"	126	4'-9"	400	Bt.
D5a	3/4"	20	7'-3"	220	Bt.
D5b	3/4"	8	8'-6"	100	Bt.
D4a	3/4"	16	7'-9"	130	Bt.
* R5a	1/4"	20	9'-6"		Bt.
R1a	3/8"	40	7'-9"		St.
R1b	3/8"	90	2'-6"		St.
			TOTAL	36,890	

REPLACEMENT STEEL

RE0	1 1/2"	2	9'-0"	100	St.
RE7	1"	1	8'-0"	20	St.
RE5	3/4"	1	7'-0"	10	St.
REA	3/8"	1	6'-6"	10	St.
RE2	1/2"	1	6'-0"	0	St.
RE1	3/8"	1	5'-5"	0	St.
			TOTAL	140	#



FOR DETAILS NOT SHOWN ON THESE DRAWINGS, REFERENCE SHALL BE MADE TO STANDARD DWGS B-45-35, BD-35 AND AS-35.



STATE OF OHIO
DEPARTMENT OF HIGHWAYS
BUREAU OF BRIDGES

**GENERAL PLAN & ELEVATION
NOTES, QUANTITIES & STEEL LIST**
BR. NO. ~ LA-20-298
OVER ARCOLE CREEK
LAKE COUNTY
S.H. 2
SEC. Q (PT.)

DESIGNED: J.R.D. DRAWN: J.R.D. TRACED: J.R.D. CHECKED: J.G.U. REVIEWED: J.L.M. DATE: 11/25

STA. 658 + 50.00