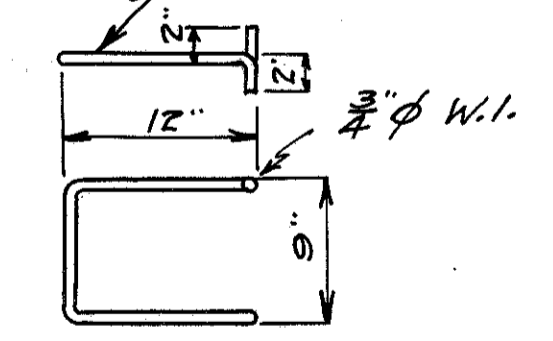


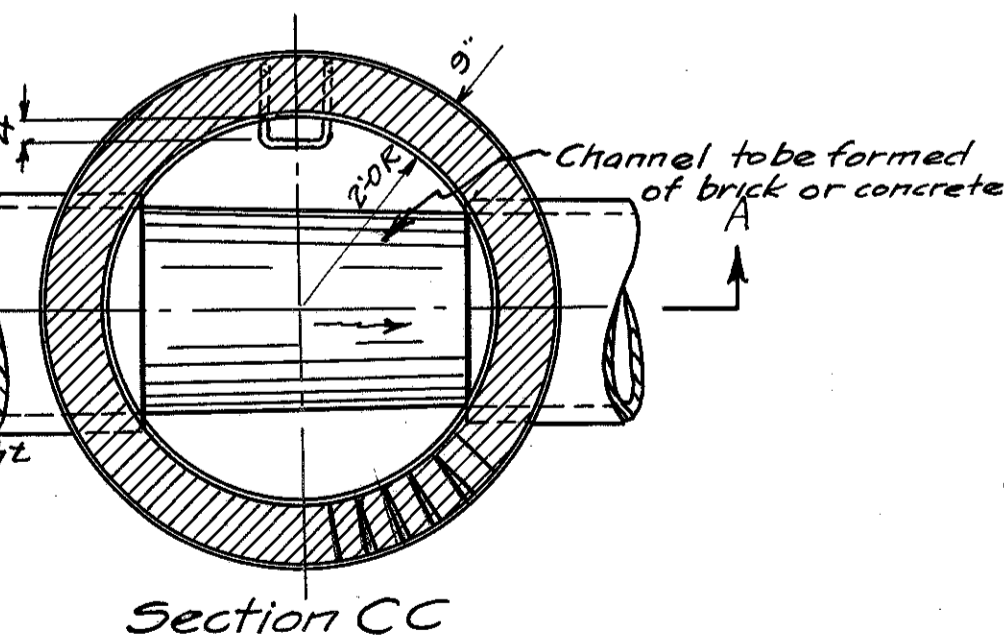
NOTE: One length of 24" Pipe to be included in price bid for M.H.

Paint 2 coats red lead

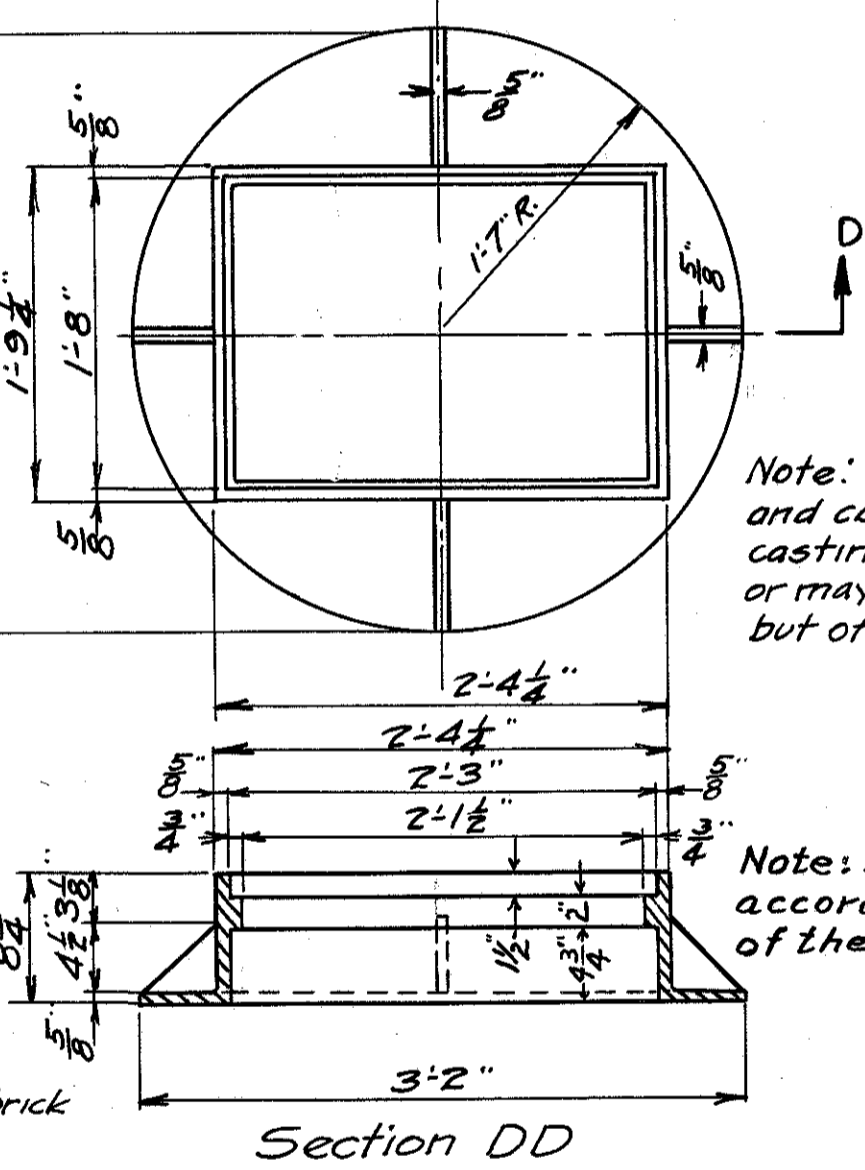


Note: Steps shall be of good quality wrought iron in accordance with Sec. M-76 of the Material Details, free from cracks and painted with two coats of red lead.

Manholes: Manholes shall be built of brick, laid in Portland cement mortar, every sixth course to be a stretcher course. Water tables and bases of manholes may be constructed of either concrete, 1-5/2 mix or brick.



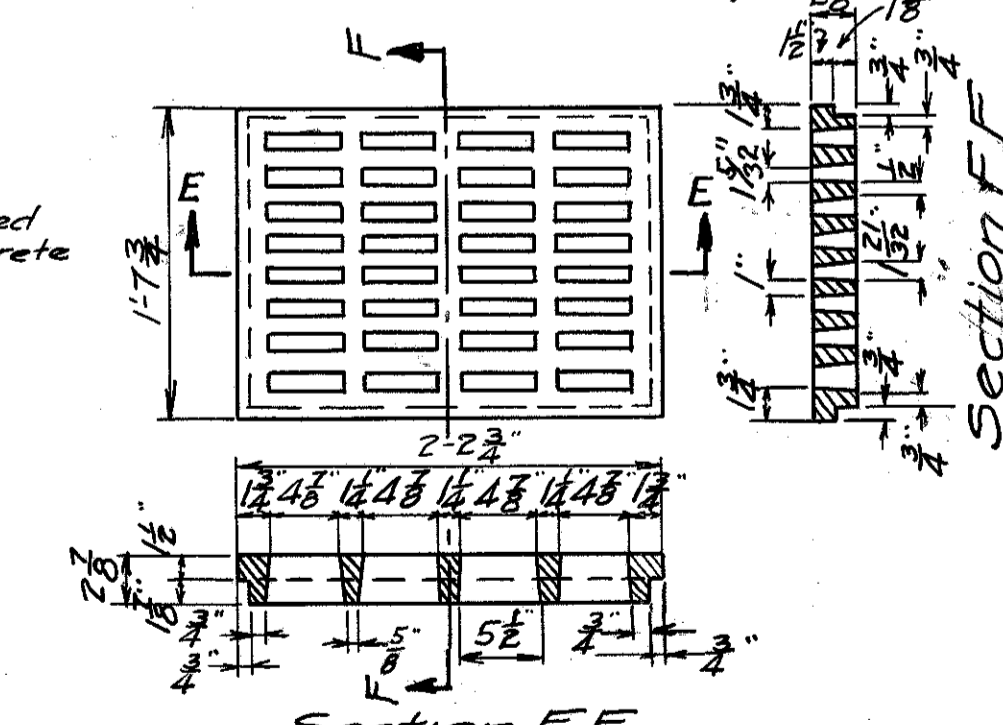
Detail of M.H. scale 1/2" = 1'-0"



Note: Weight of manhole frame and cover casting to be 500# castings may be made as shown or may be of similar design but of equal weight.

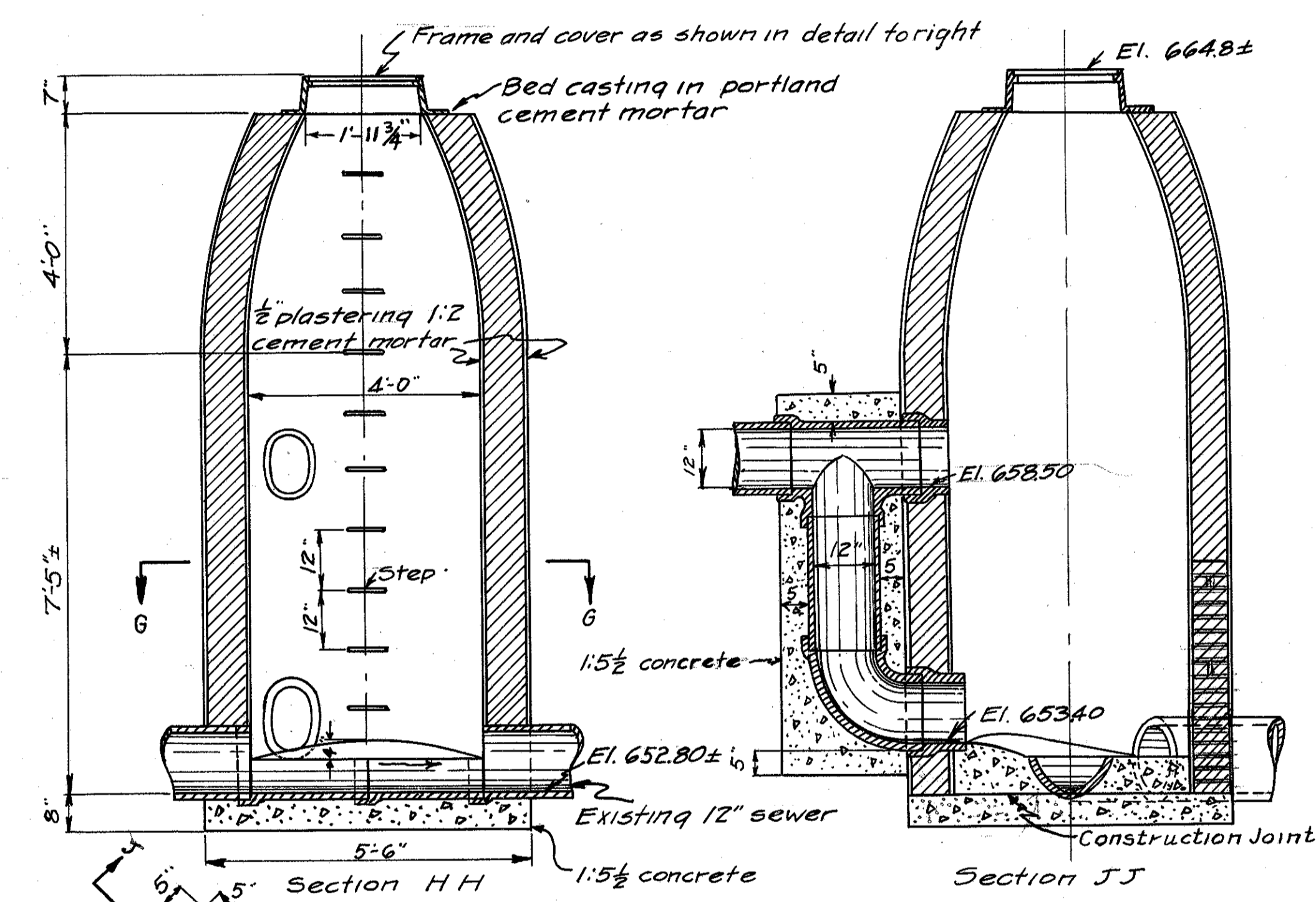
Note: All castings to be in accordance with Sec. M-7.8 of the Material Details.

Detail of Frame Casting



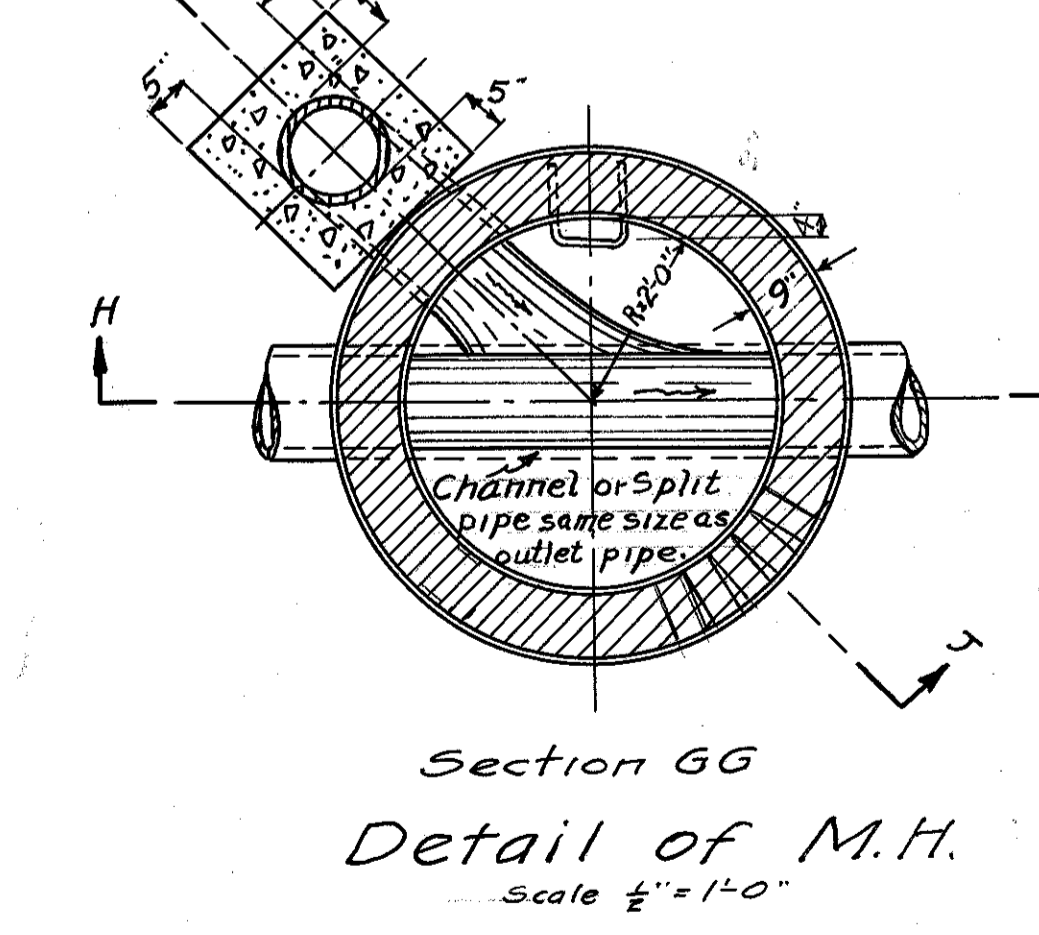
Detail of Grate Casting

1- M.H. REQ'D ITEM 3 M  
Station 655+25 22'-7" to L. of C



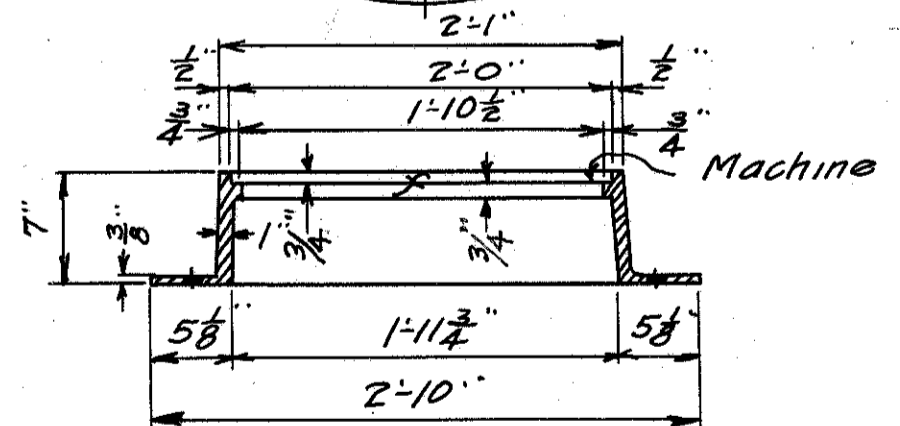
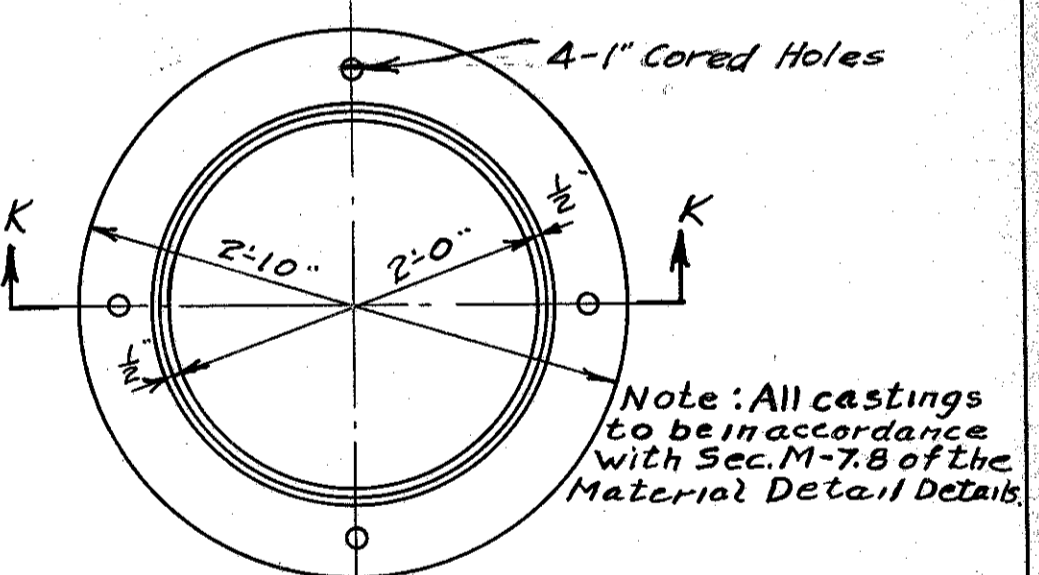
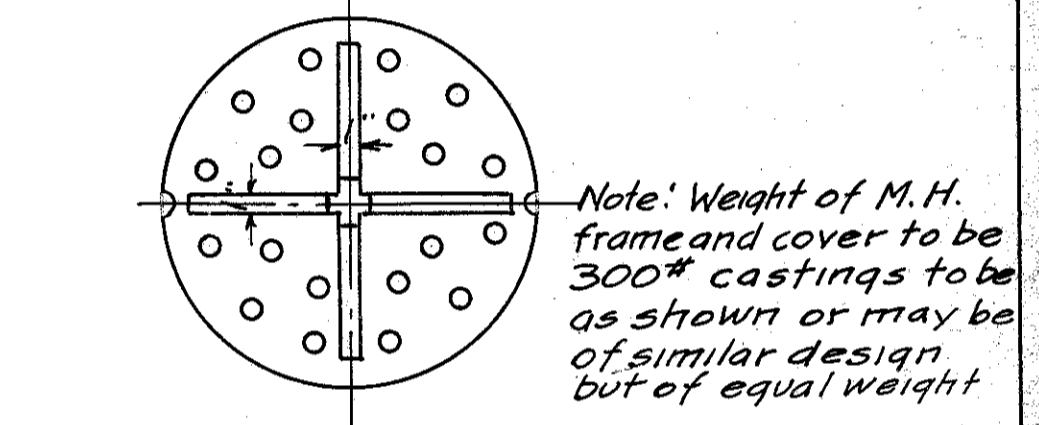
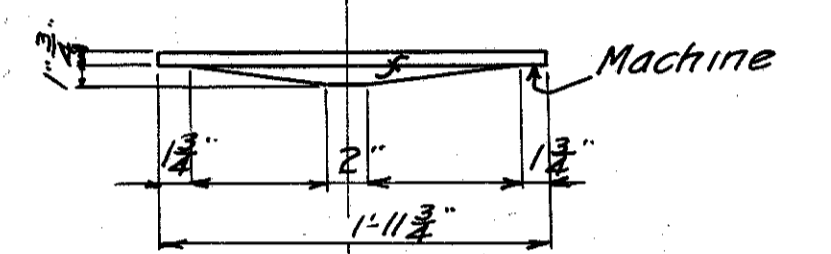
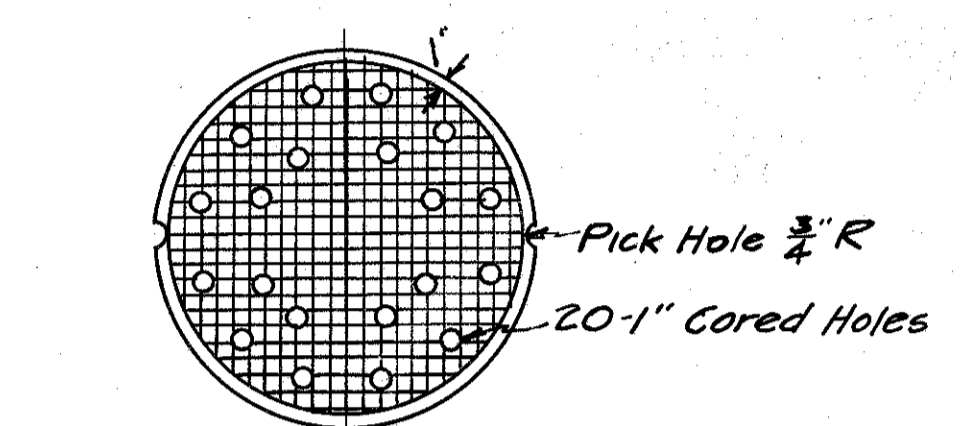
Note: Steps shall be of good quality wrought iron in accordance with Sec. M-76 of the Material Details, free from cracks and painted with two coats of red lead.

Manholes: Manholes shall be built of brick laid in Portland Cement mortar, every sixth course to be a stretcher course. Water tables and bases of manholes may be constructed of either concrete, 1-5/2 mix, or brick.



Detail of M.H. scale 1/2" = 1'-0"

1- M.H. REQ'D ITEM 2 M  
Station 655+10 35' to R. of C



Detail of Frame Casting