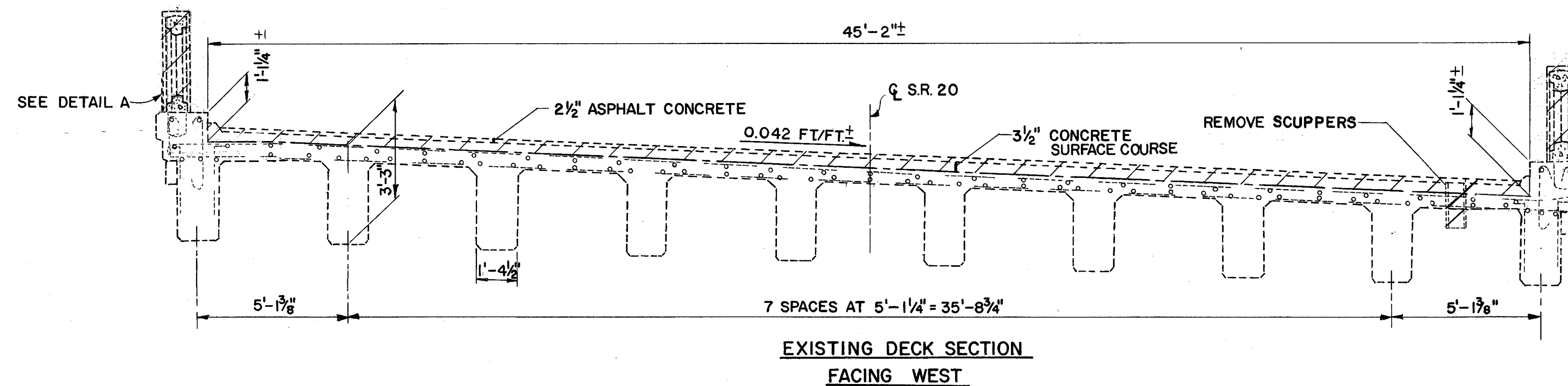
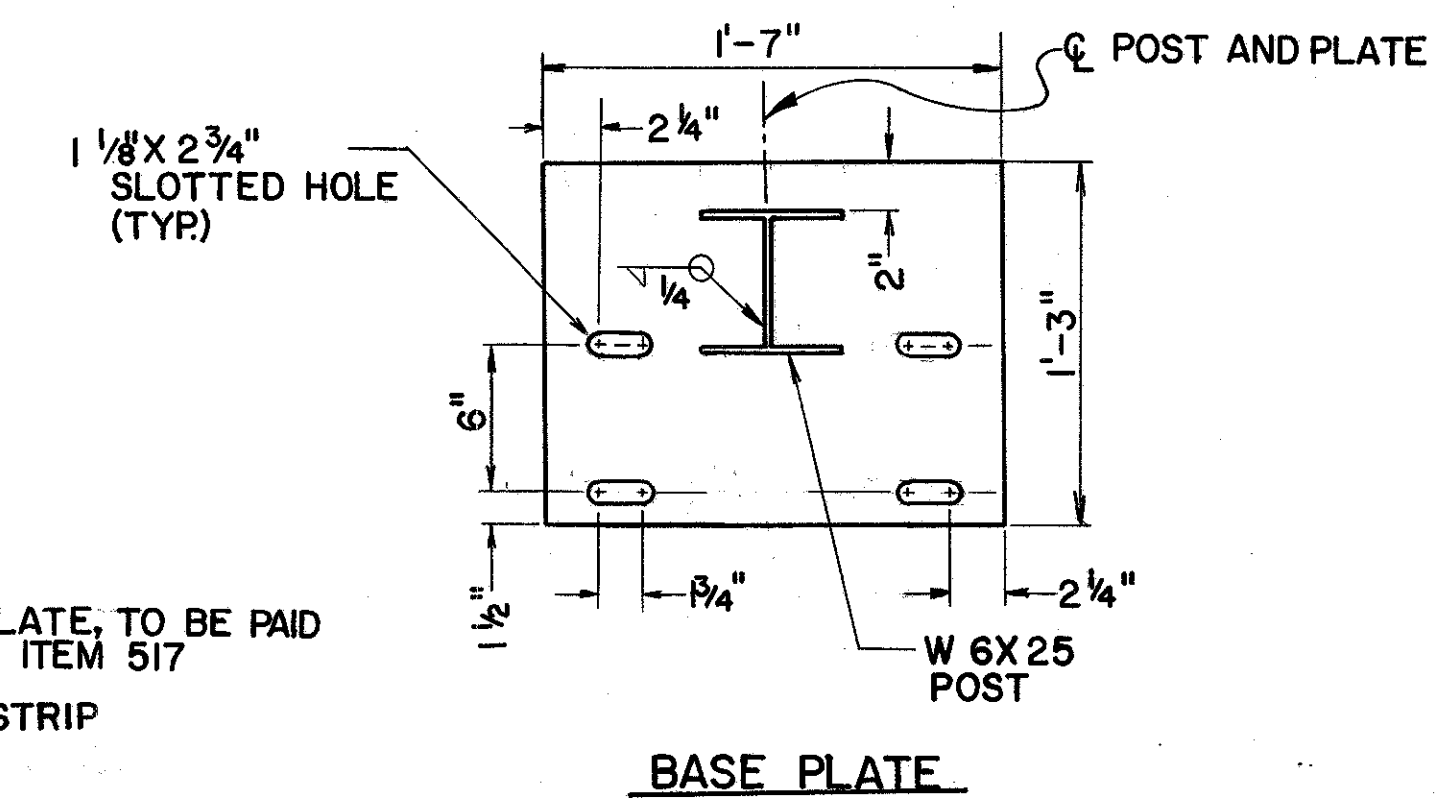
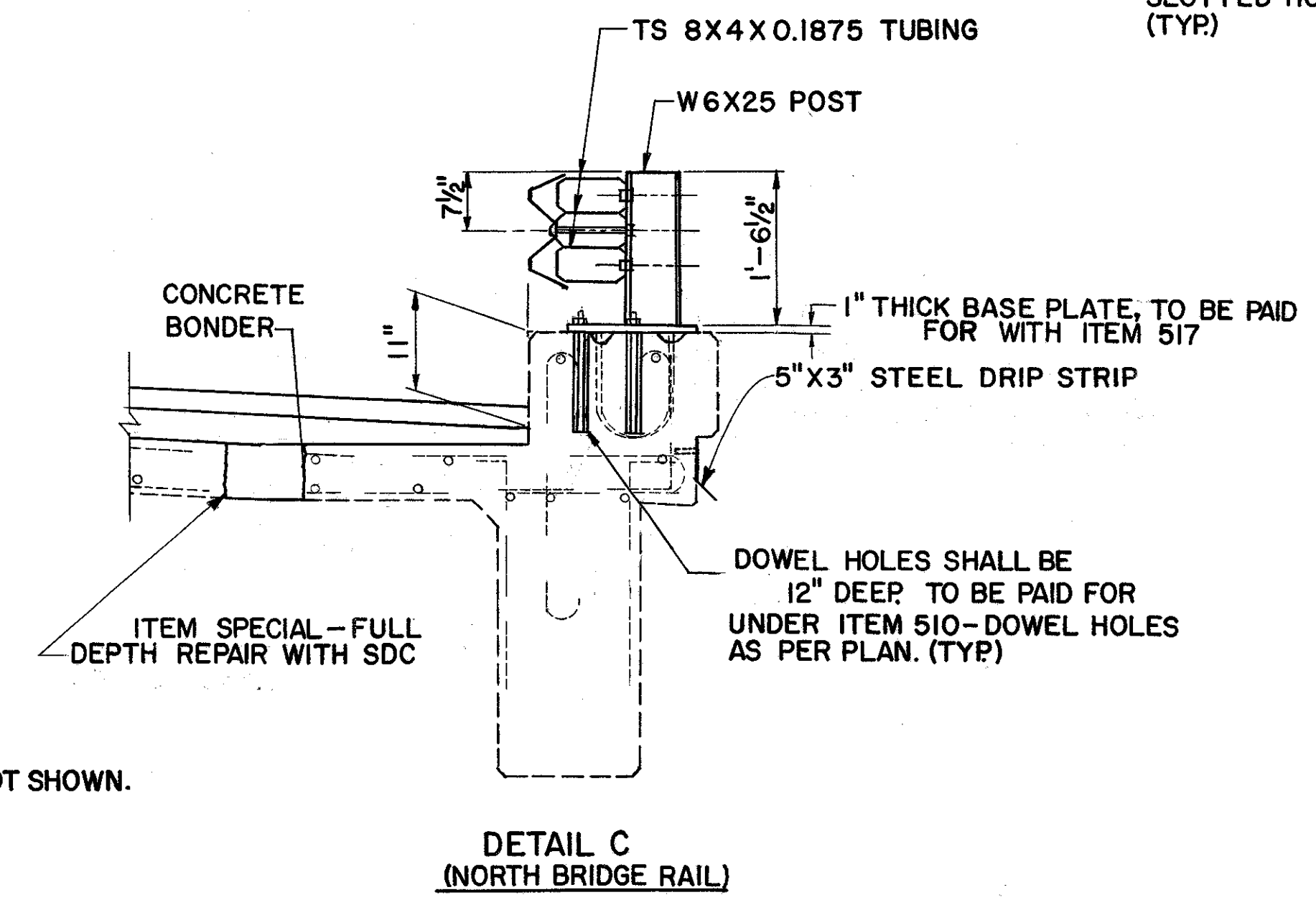
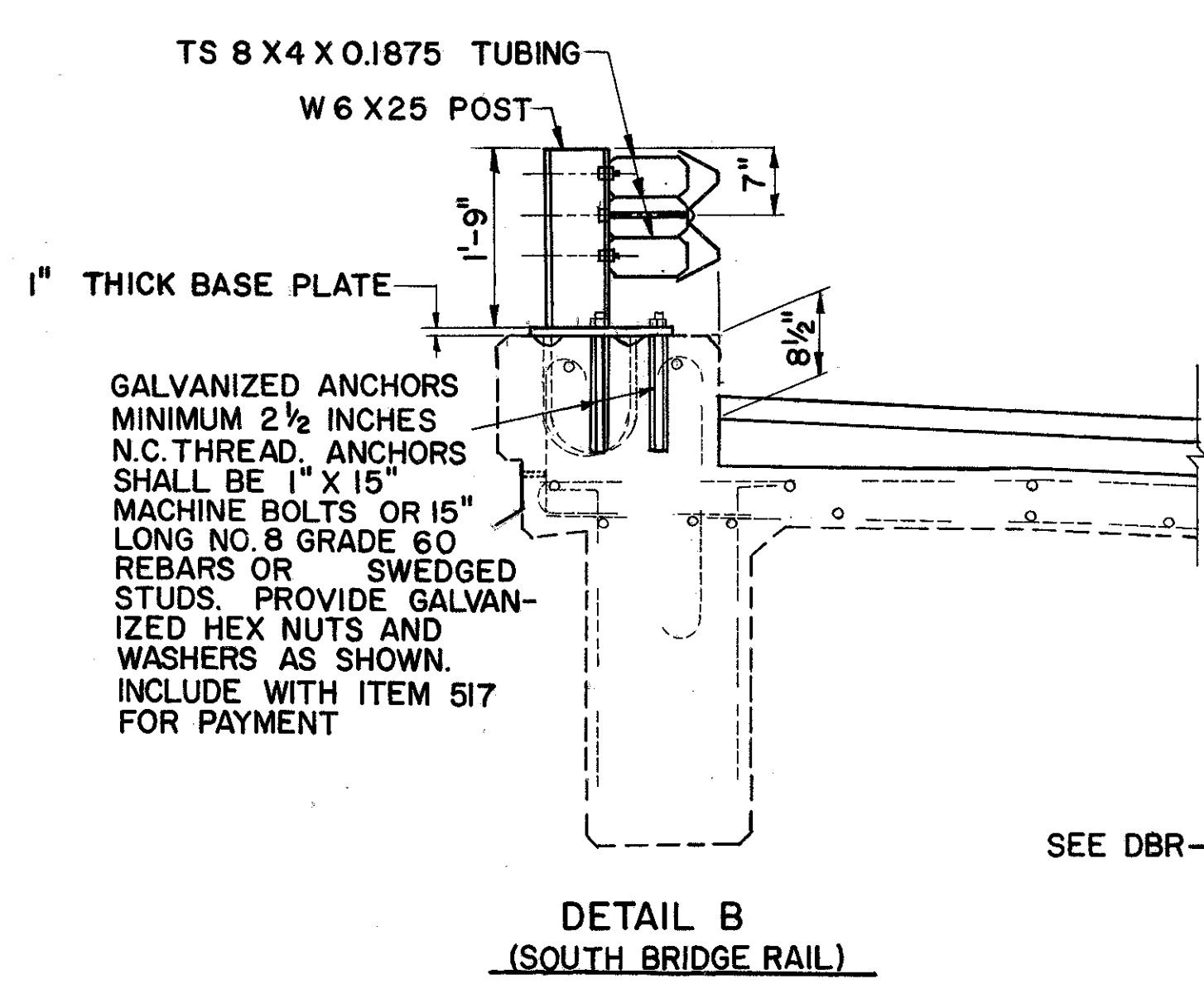
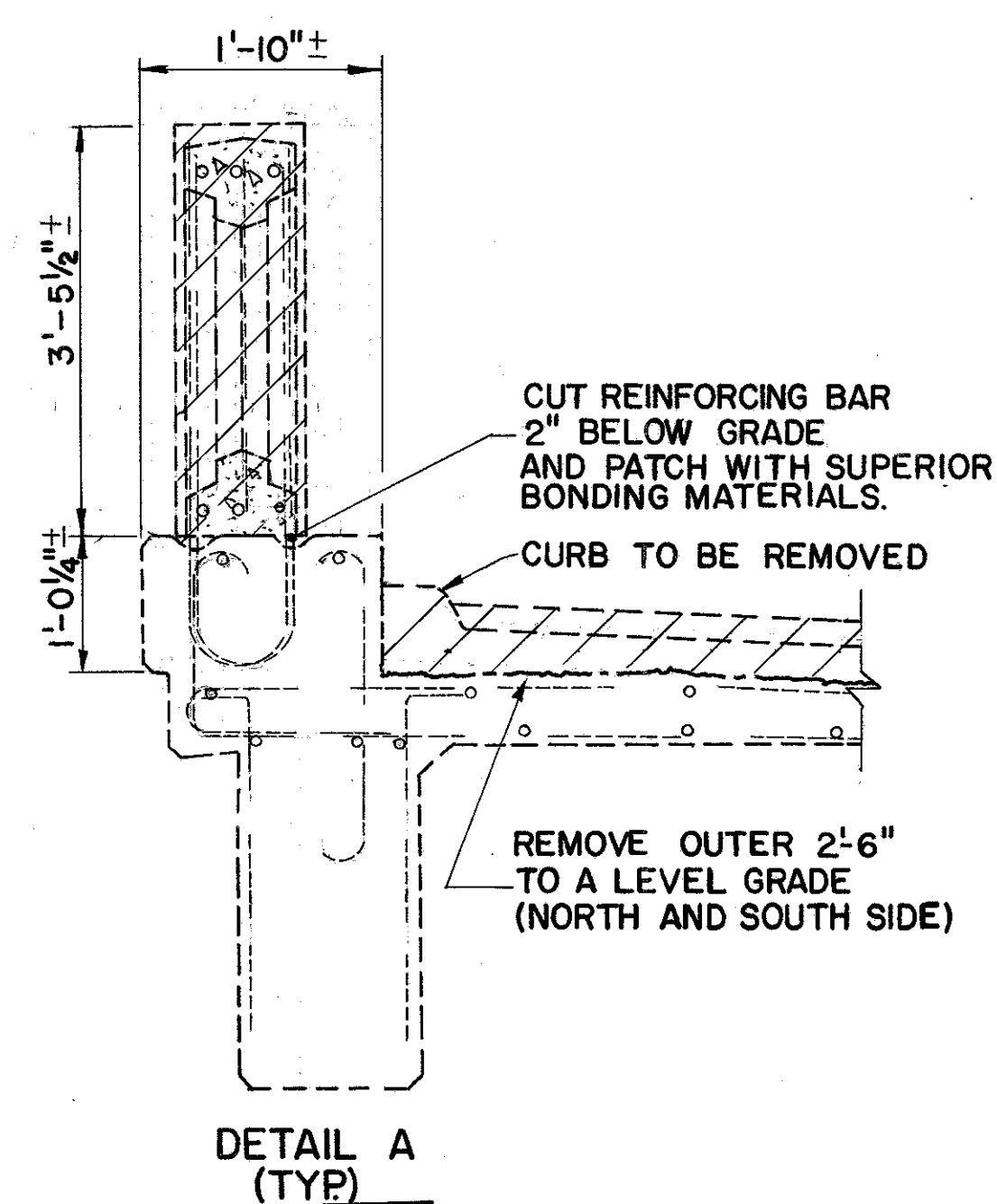
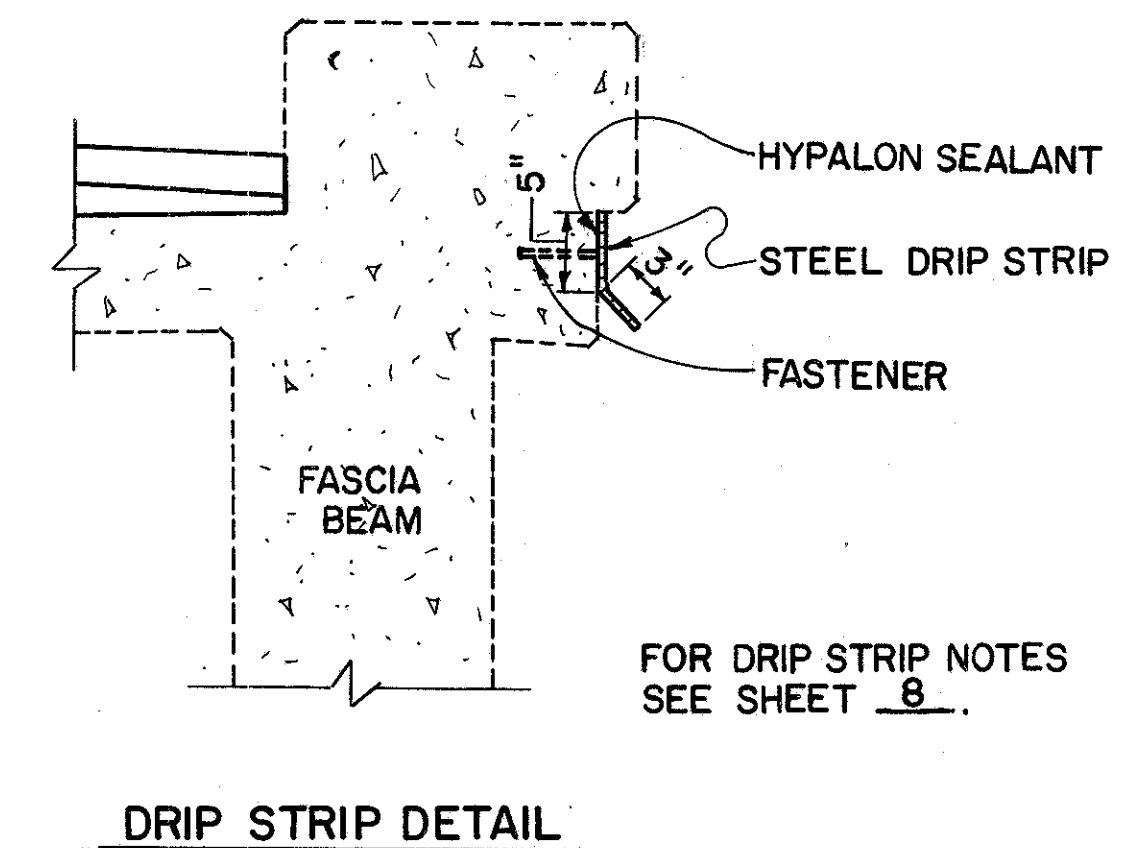
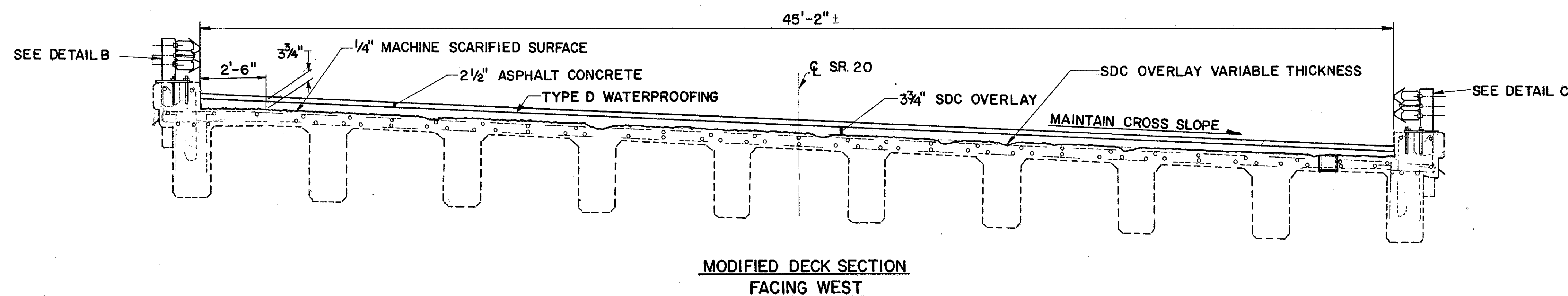


FOR ADDITIONAL DECK DETAILS SEE
STD. DRWG. B-45-35, BD-35, AND BSK-35.

MICROFIL
OCT 8 1986



PORTION TO BE REMOVED



SEE DBR-2-73 FOR DETAILS NOT SHOWN.

STATE OF OHIO DEPARTMENT OF TRANSPORTATION DISTRICT 12 BRIDGE DEPARTMENT						
8 / 10						
SUPERSTRUCTURE DETAILS						
BRIDGE LAK-20-2976 OVER ARCOLA CREEK						
DESIGNED	DRAWN	TRACED	CHECKED	REVIEWED	DATE	REVISED
EJA	PJM	PJM	DWL	GWM	7-2-84	