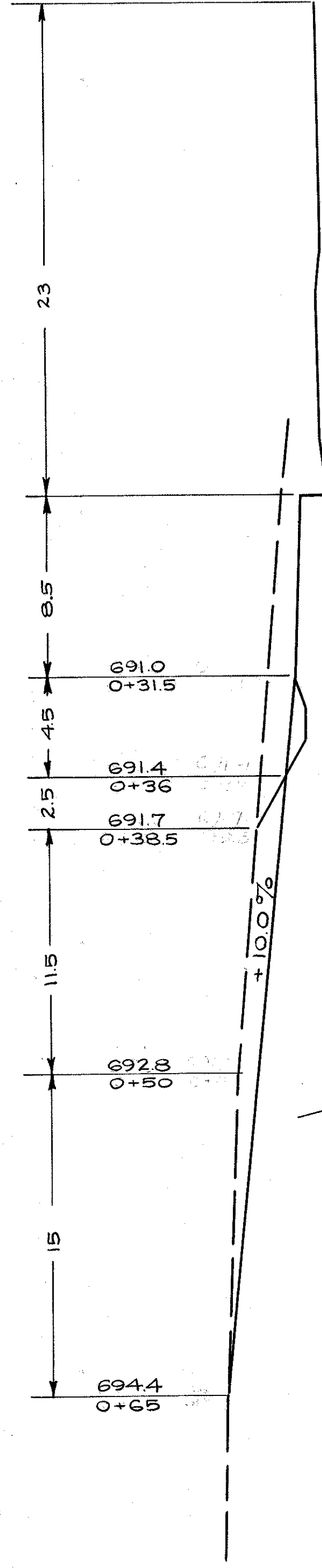
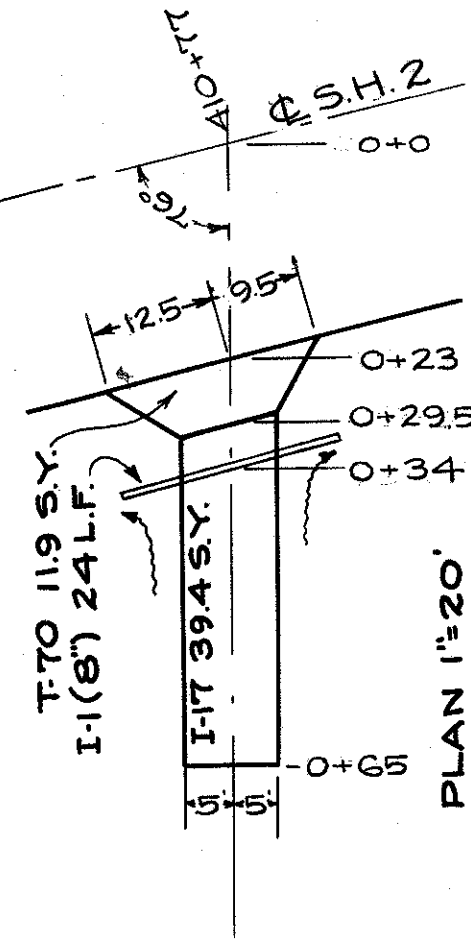


LAKE COUNTY
S.H. 2 SEC. Q(P.T.)

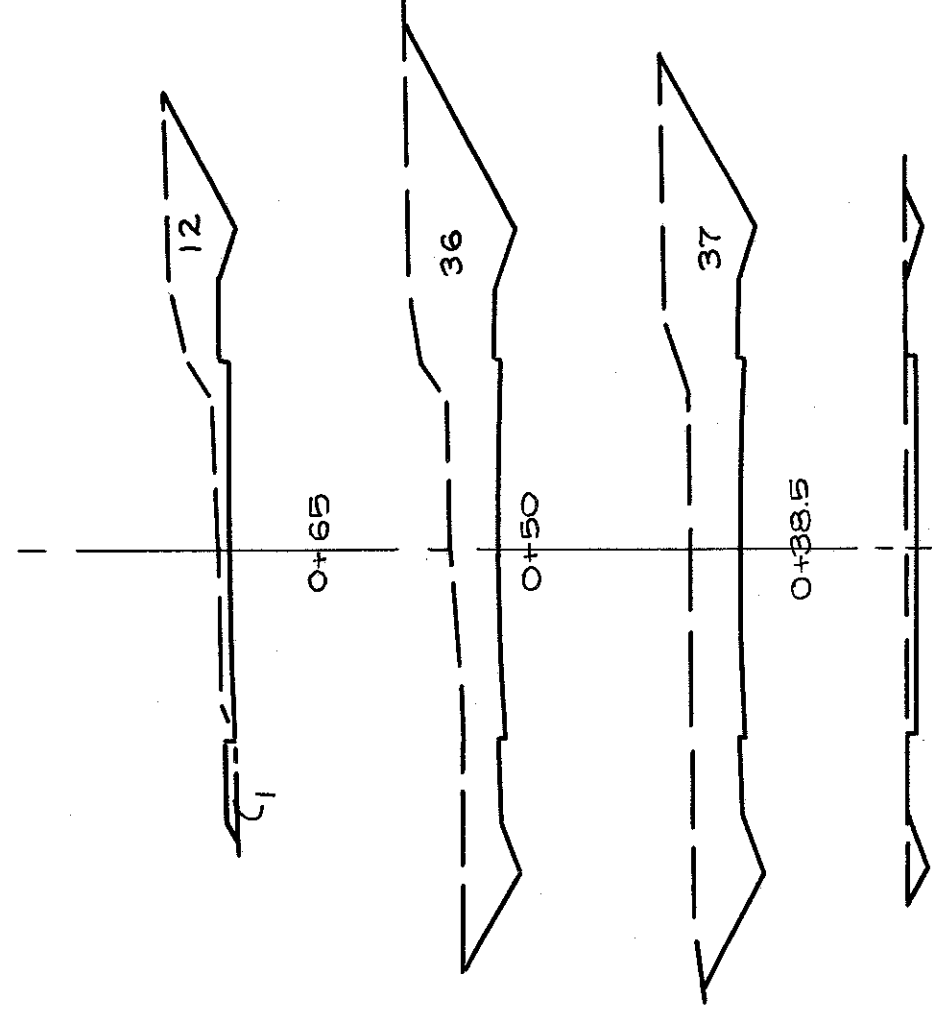


PROFILE 1"=5'



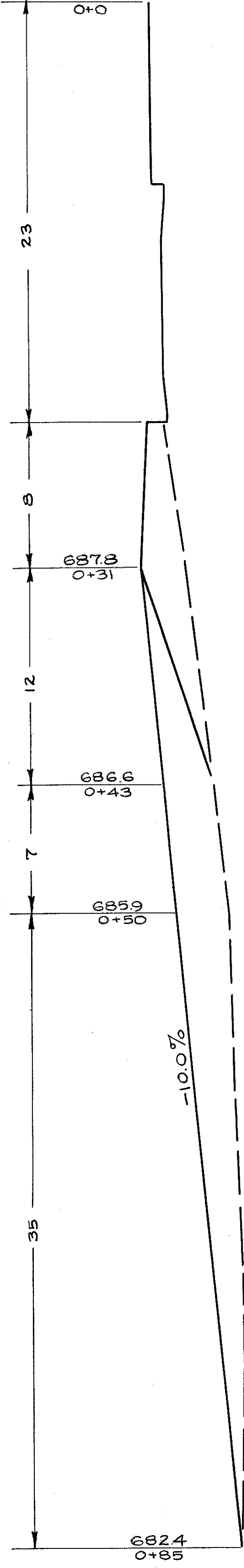
QUANTITIES
T-70(6') 119 SY.
I-17(3') 33 CY
I-1(8') 24 L.F.
I-11 DEDUCT 22 L.F.
Exc. 34 CY
Emb. 0 CY

END AREA CU. YDS.	
CUT	FILL
12	1
36	0
37	0
4	0
TOTALS	34

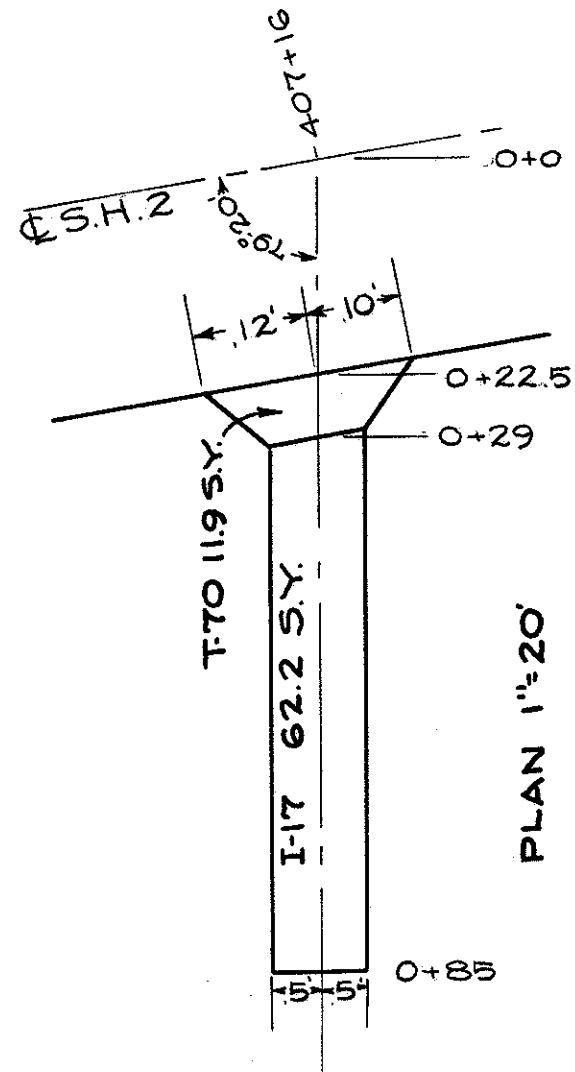


EXC. 3 CY EMB. 0
0+23 TO 0+36

SECTIONS 1"=5'
DRIVE LT. STA. 410+77

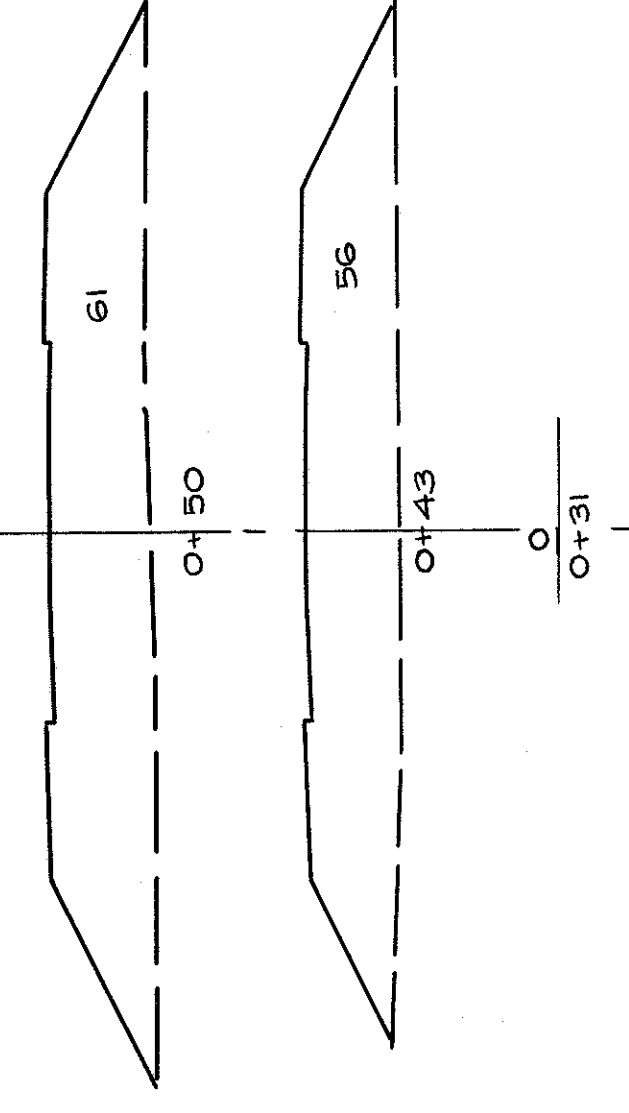


PROFILE 1"=5'

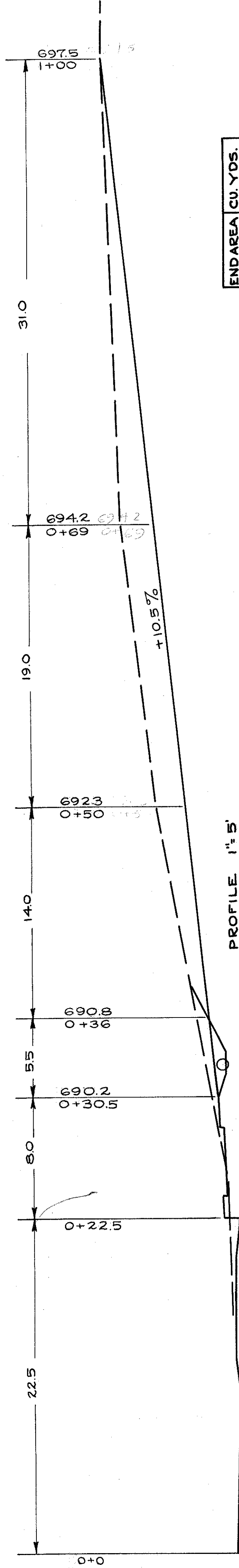


QUANTITIES
T-70(6') 119 SY.
I-17(3') 52 CY
I-11 DEDUCT 22 L.F.
Exc. 0 CY
Emb. 67 CY

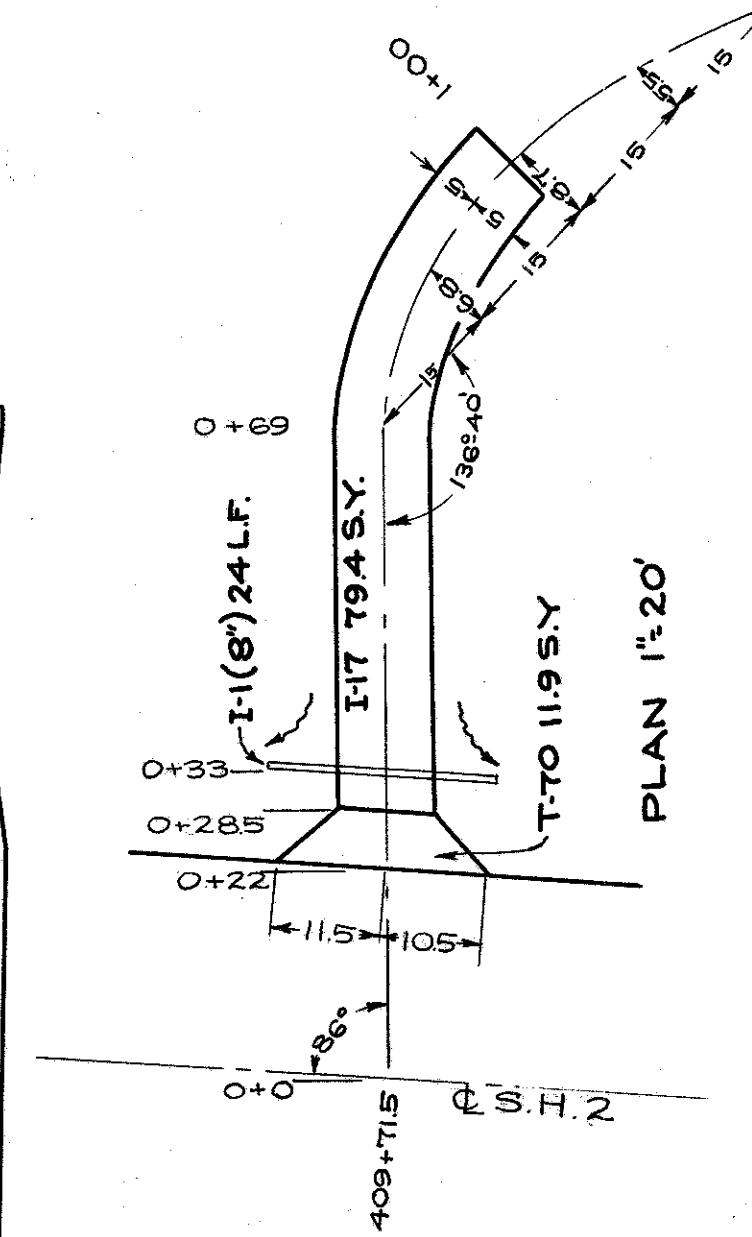
END AREA CU. YDS.	
CUT	FILL
0	0
0	61
0	56
0	0
TOTALS	117



SECTIONS 1"=5'
DRIVE LT. STA. 407+16

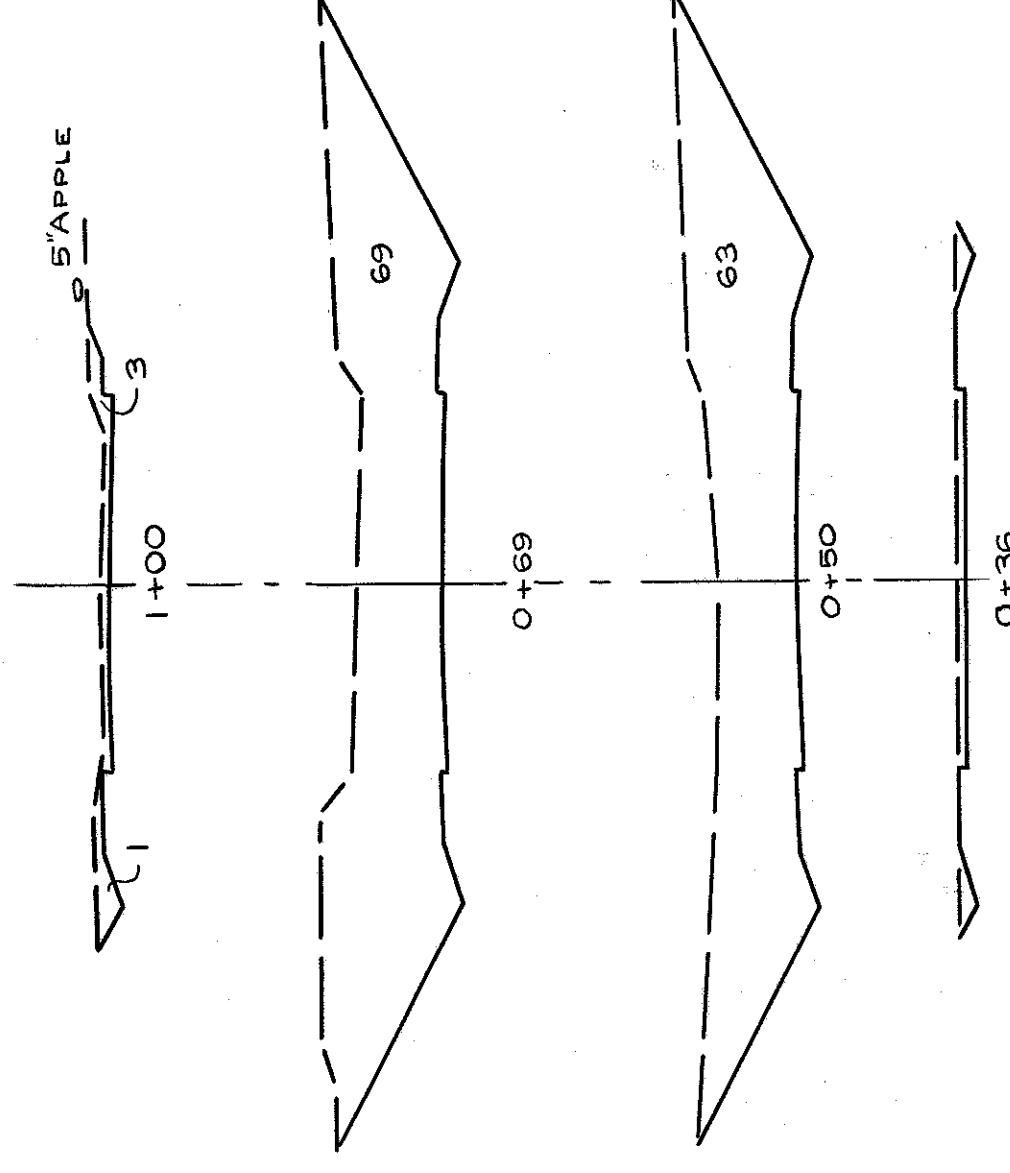


PROFILE 1"=5'



QUANTITIES
T-70(6') 119 SY.
I-17(3') 66 CY
I-1(8') 24 L.F.
I-11 DEDUCT 22 L.F.
Exc. 107 CY
Emb. 0 CY

END AREA CU. YDS.	
CUT	FILL
4	0
69	0
63	0
4	0
TOTAL	107



EXC. 2 CU. YDS. EMB. 0
0+225 TO 0+36

SECTIONS 1"=5'

DRIVE RT. STA. 409+71.5