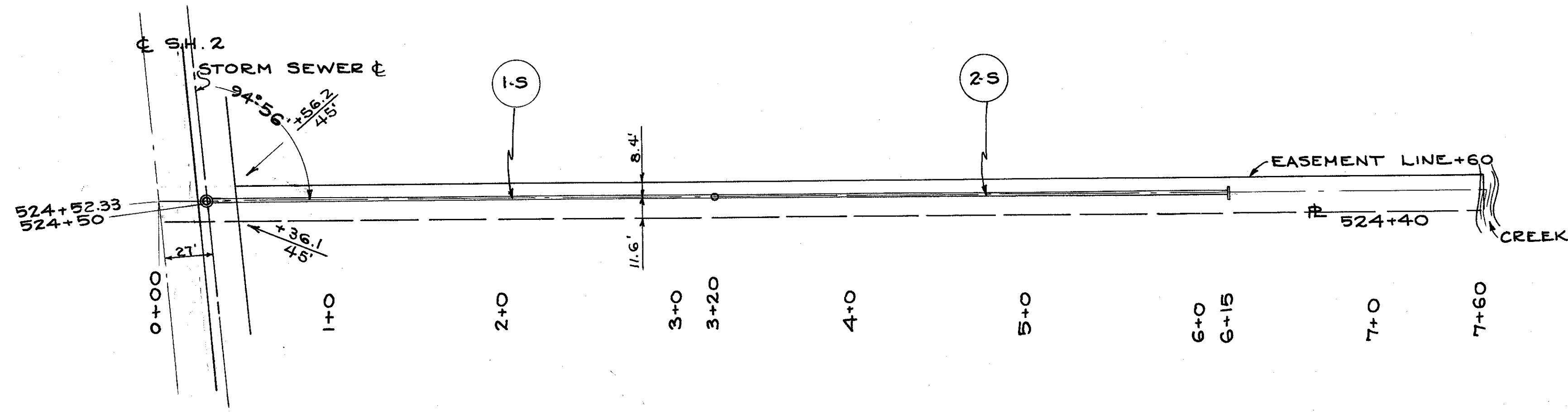
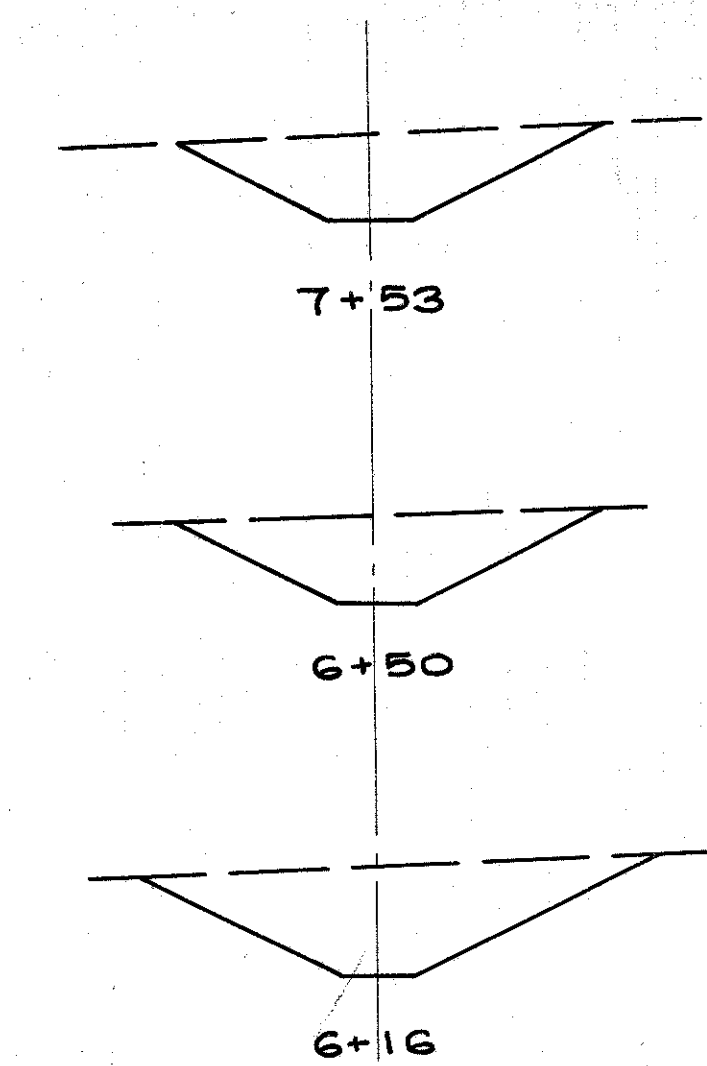
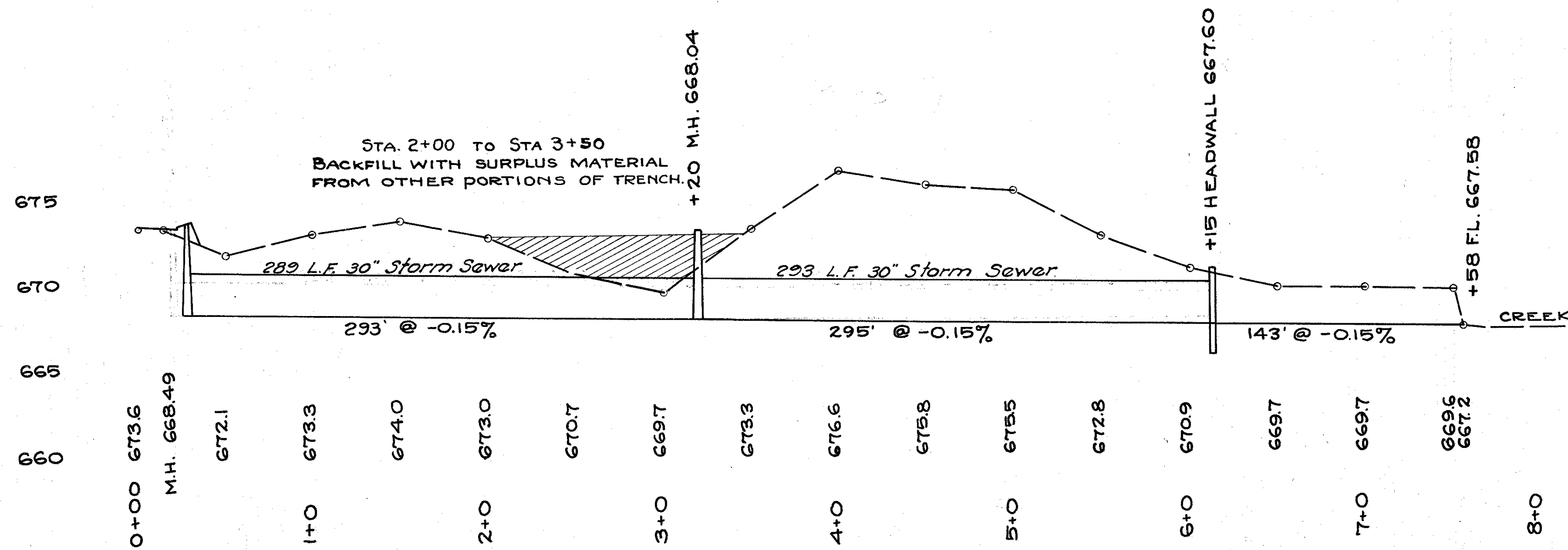


STORM SEWER OUTFALL  
STA. 524+51.64 SOUTH



STORM SEWERS						
MARK	STATION		SIDE	PIPE-LIN.FT. 30"	STD. M.H. 1-8 M.H. NO. 1 - EA.	HDWALLS CLASS "E" CONC. CY.
	FROM	TO				
1-S	0+19	3+20	C	289	1	
2-S	3+20	6+15	C	293		3.1
TOTAL				582	1	3.1



END AREA CUT	CU. YDS. EXC.
14	54
14	21
19	
TOTAL	75

STRUCTURE QUANTITIES  
EXCAVATION 7 CY.  
CHANNEL EXCAVATION 75 CY.