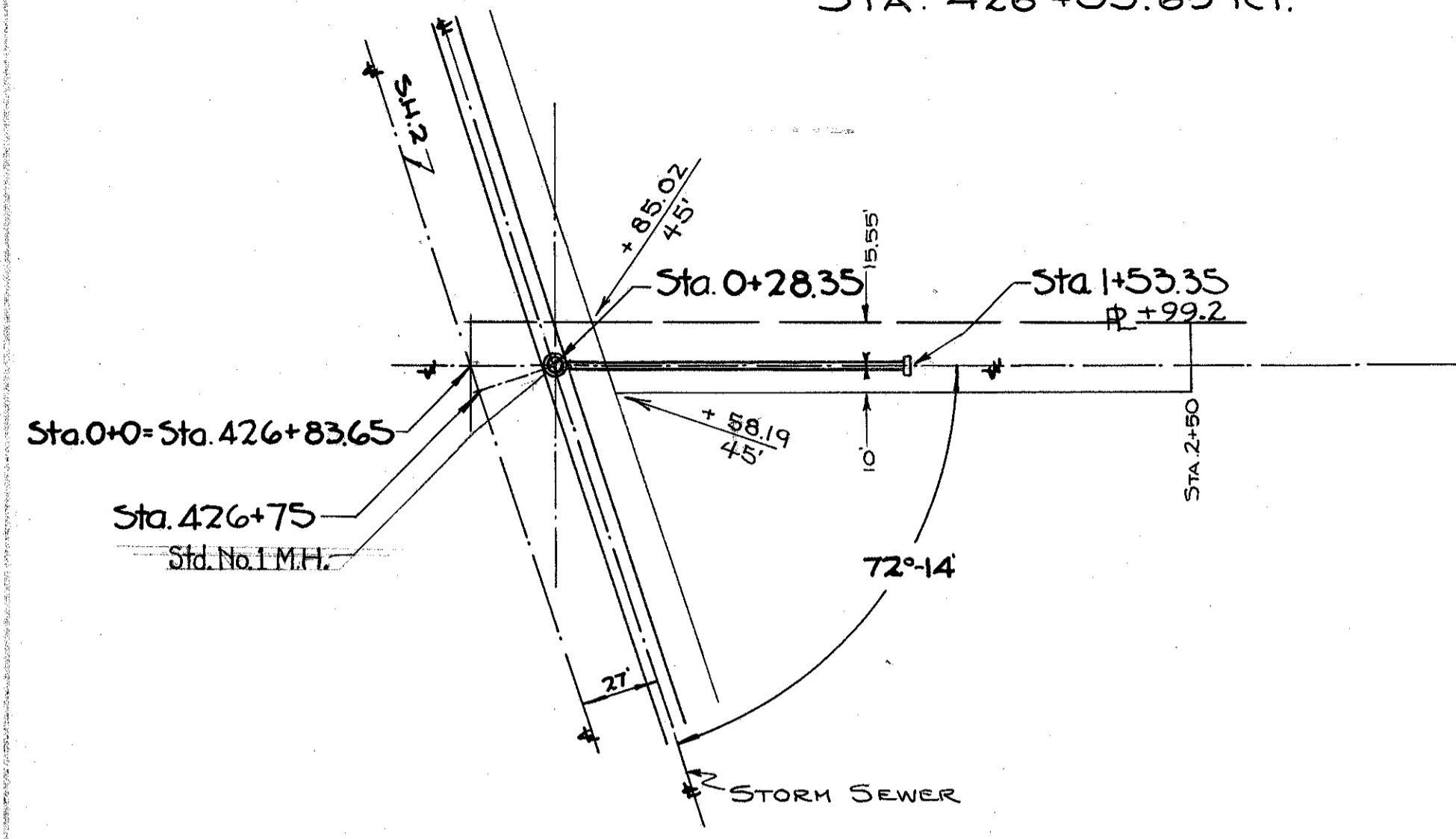
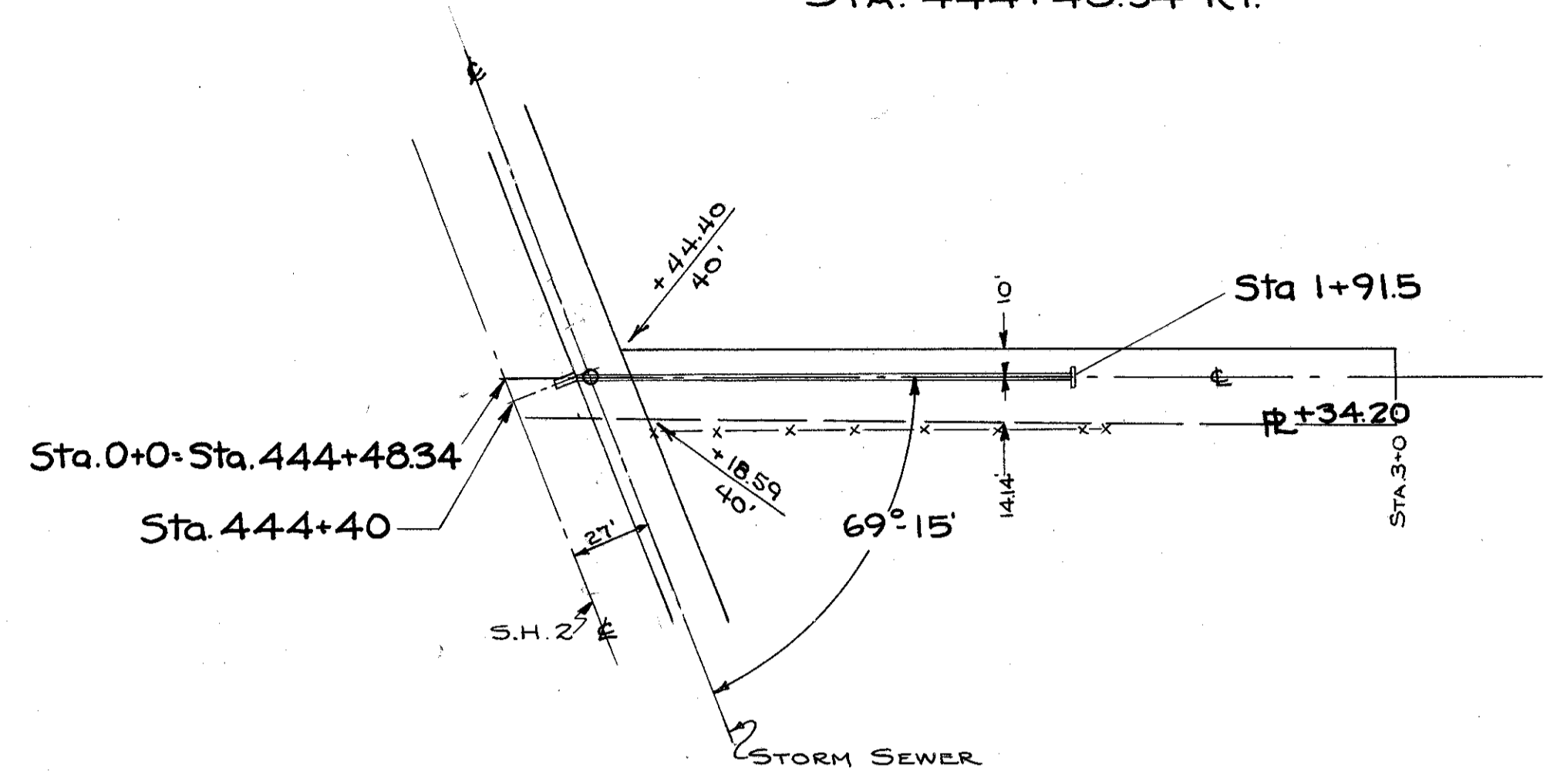


STORM SEWER OUTFALL  
 STA. 426+83.65 RT.

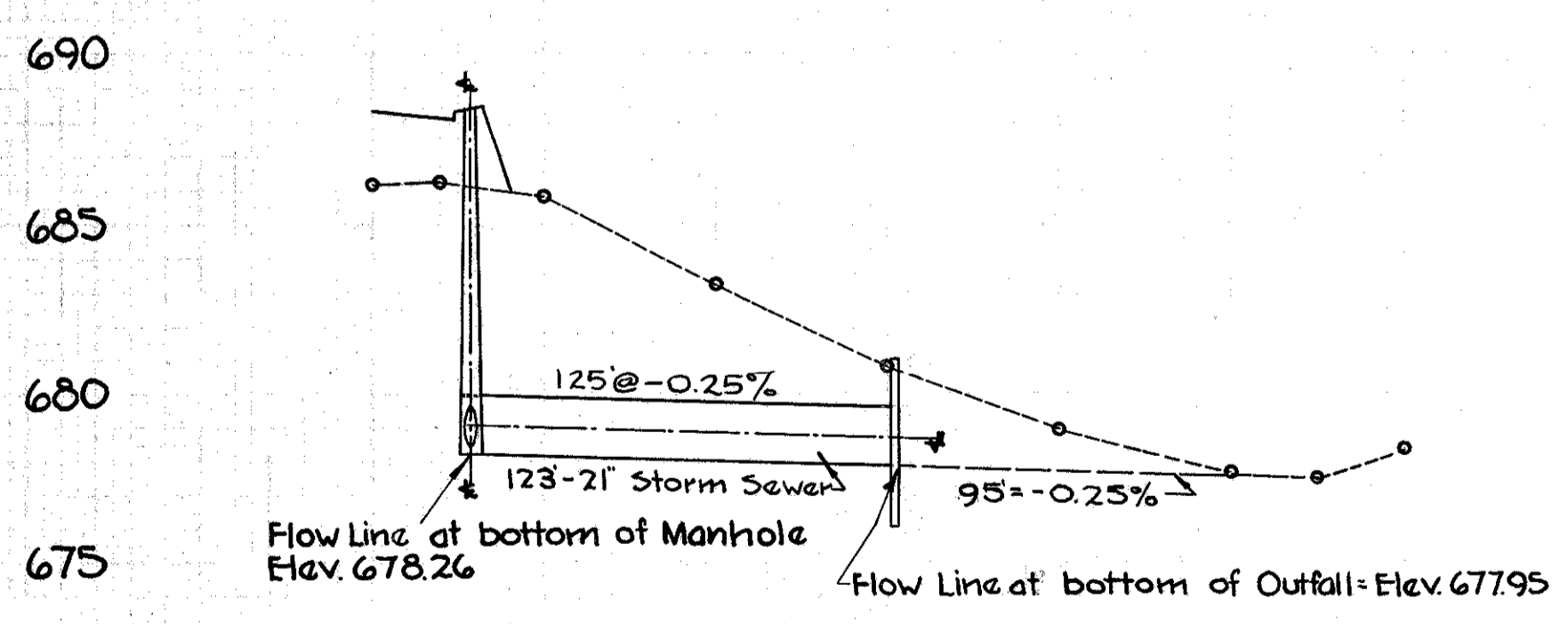


45

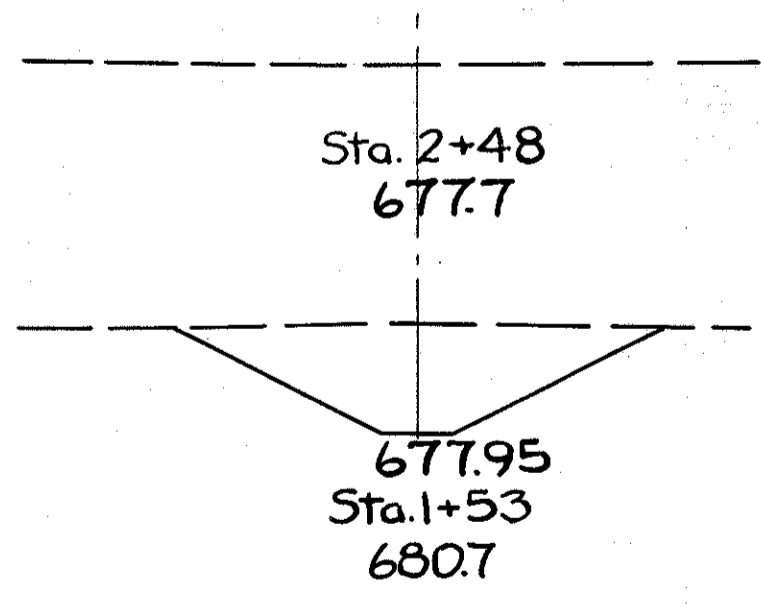
STORM SEWER OUTFALL  
 STA. 444+48.34 RT.



45



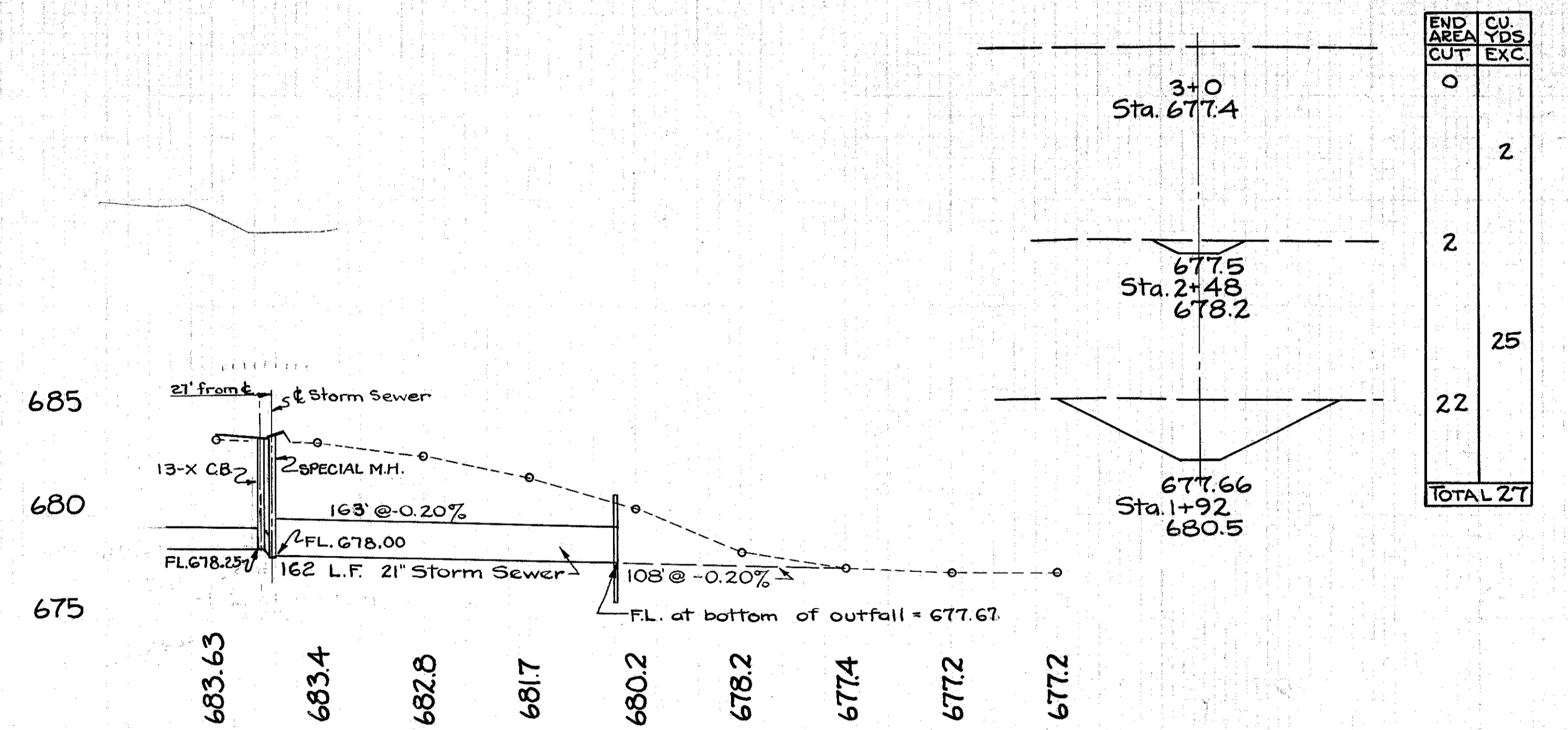
0+0	686.11
	686.24
	685.9
1+0	683.2
	680.8
2+0	679.0
	677.6
	677.5
3+0	678.4



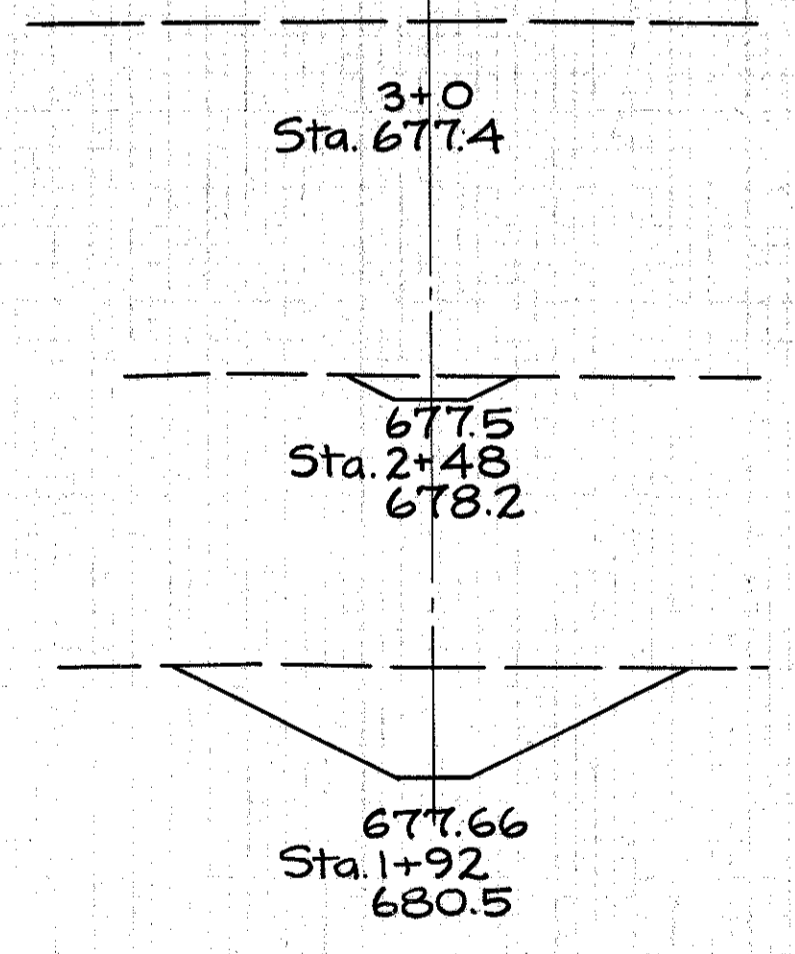
END AREA CUT	CU. YDS. EXC.
0	35
20	
TOTAL 35	

NOTE:-  
 STORM SEWER QUANTITIES  
 ARE LISTED ON SHEET No. 7

QUANTITIES  
 STRUCTURE EXCAVATION 6 C.Y.  
 CHANNEL EXCAVATION 35 C.Y.



0+0	683.63
	683.4
	682.8
	681.7
1+0	680.2
	678.2
2+0	677.4
	677.2
3+0	677.4
	677.2
4+0	677.2



END AREA CUT	CU. YDS. EXC.
0	2
2	
25	
22	
TOTAL 27	

NOTE:-  
 STORM SEWER QUANTITIES  
 ARE LISTED ON SHEET No. 8

QUANTITIES  
 STRUCTURE EXCAVATION 6 C.Y.  
 CHANNEL EXCAVATION 27 C.Y.