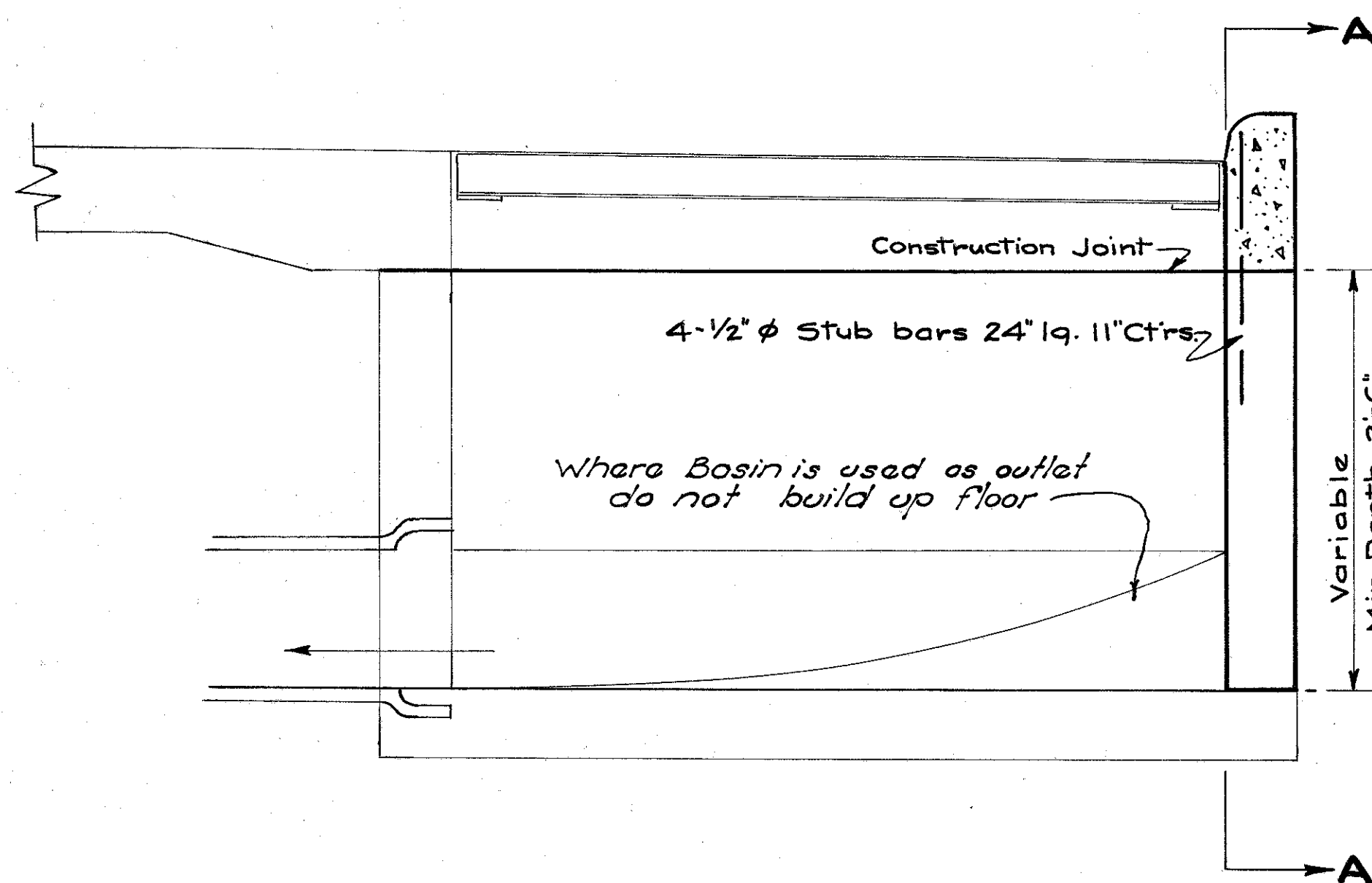
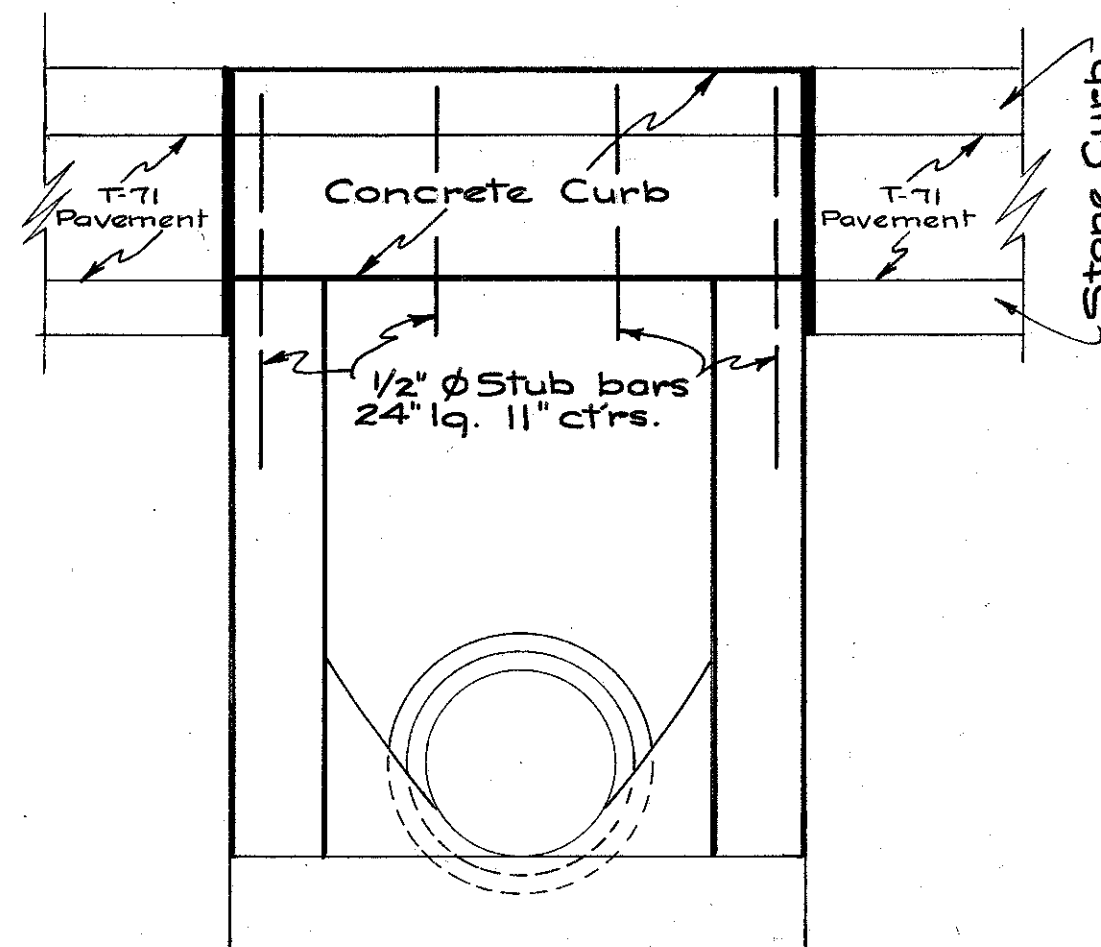


# CATCH BASIN NO. 13-X

NOTE:- THIS CATCH BASIN IS A MODIFICATION OF STD. CONST. DRWG I-8 C.B. NO. 13-A ONLY IN THE SHAPE AND CONSTRUCTION OF THE CONCRETE CURB.  
PAYMENT FOR CONCRETE CURB TO BE INCLUDED IN PRICE BID PER C.B. NO. 13-X.

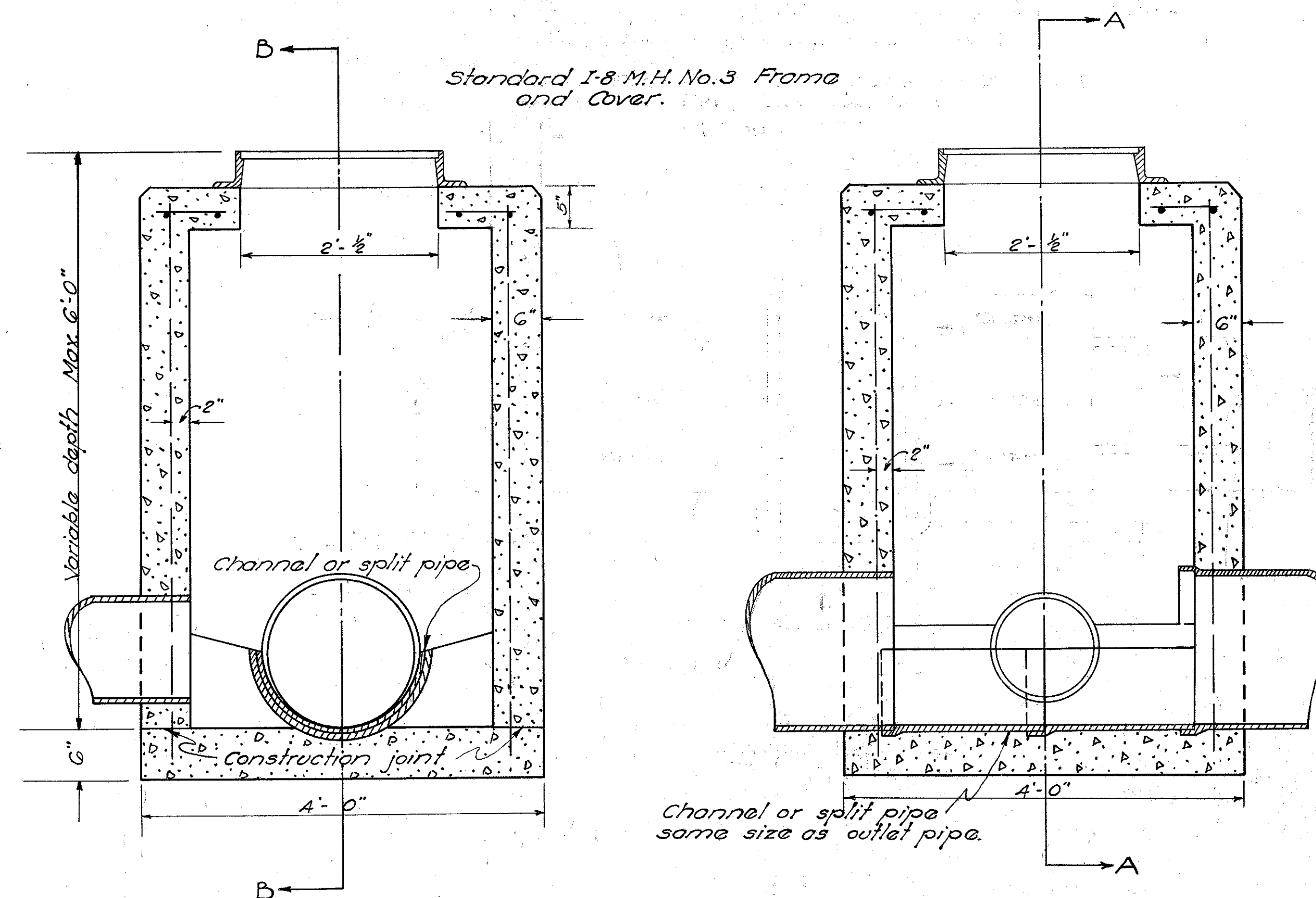


**LONGITUDINAL SECTION**  
1" = 1'-0"



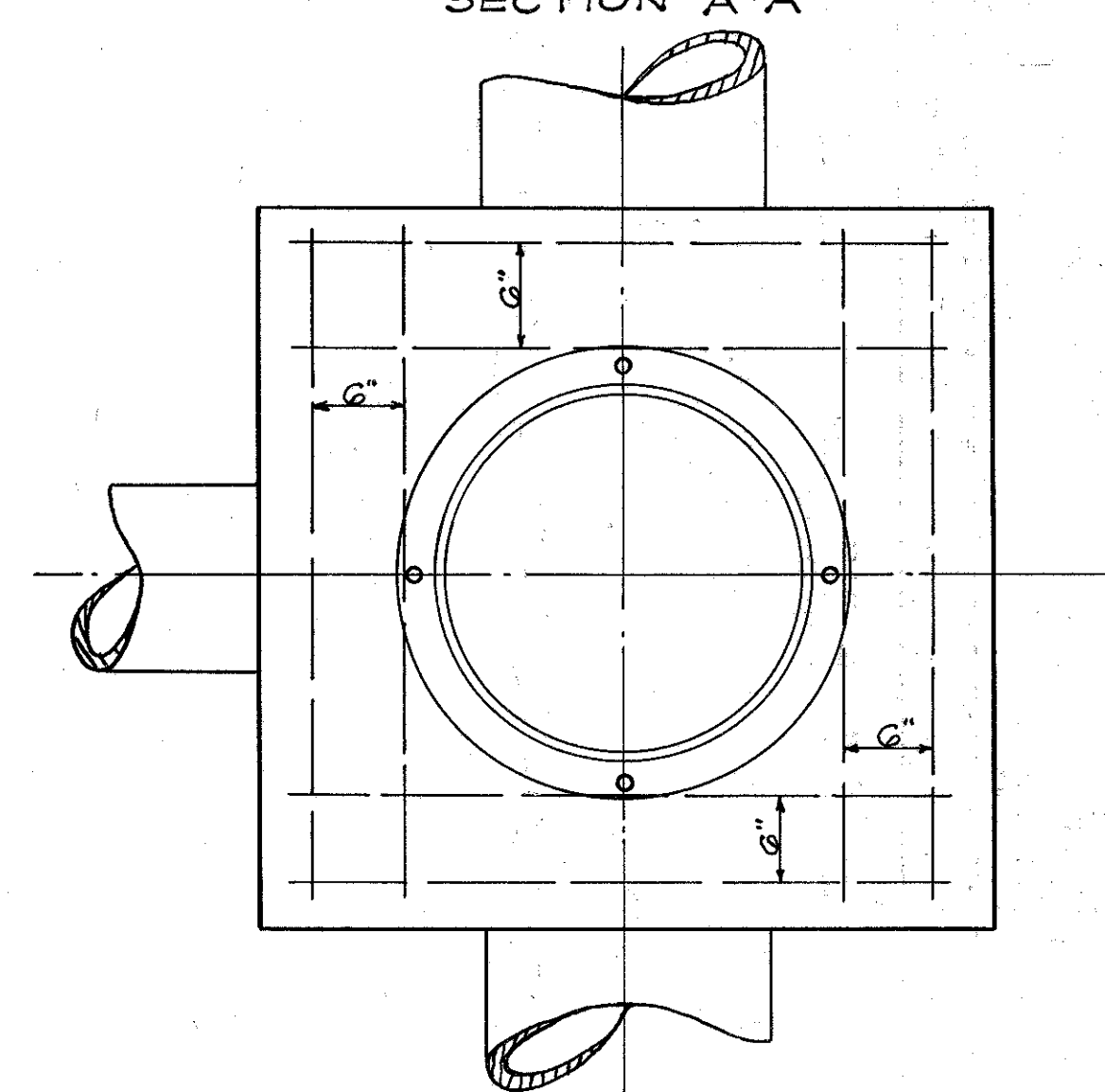
**SECTION A-A**  
1" = 1'-0"

# DETAIL OF SPECIAL MANHOLE



**SECTION A-A**

**SECTION B-B**



NOTE: For further details of Manhole box see standard drawing I-8 C.B. 2-3 & 2-4.  
For details of Frame and Cover see standard drawing I-8 M.H. No. 3.