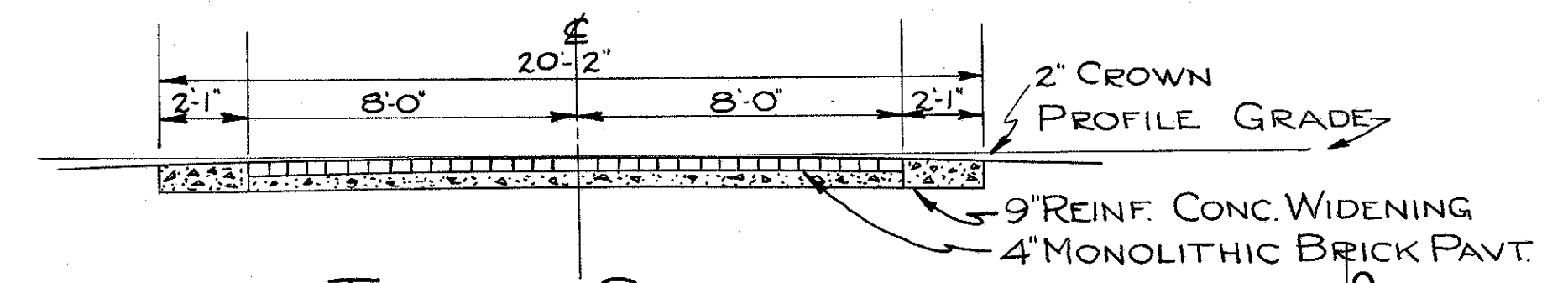


LAKE COUNTY  
S.H. 2 SEC. Q (PT.)

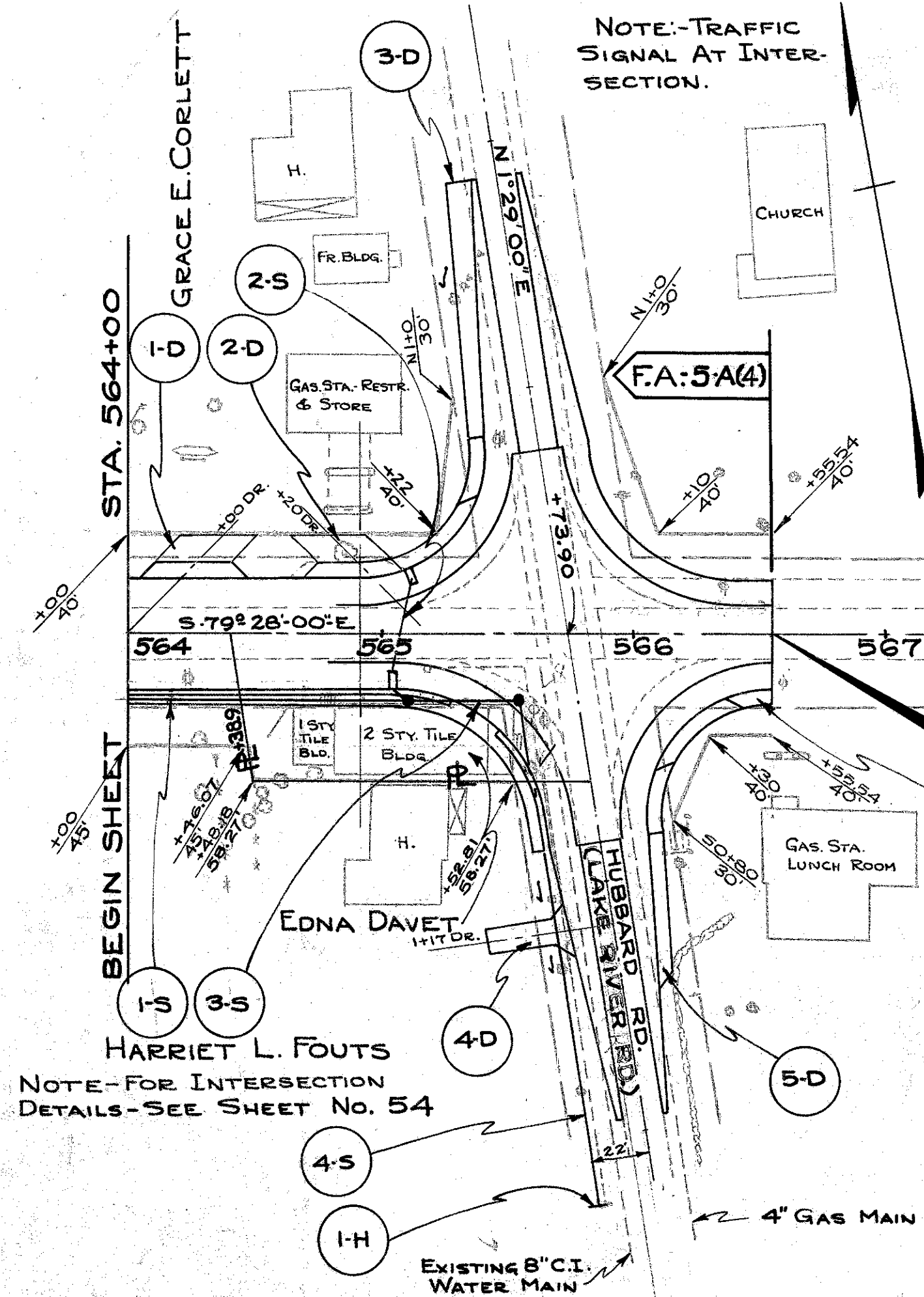


NOTE: STATE MAINTENANCE FORCES TO MAKE ANY NECESSARY CONNECTIONS AT END OF IMPROVEMENT.

NOTE: MARKER TO BE FURNISHED AND ERECTED ON LEFT BY THE STATE OF OHIO BEFORE ACCEPTANCE OF THIS PROJECT.

**END F.A.R. 5-A(4)**  
**STA. 566+55.54**

EQUATION  
STA. 566+55.54 OF F.A.P. 5-A(4) =  
STA. 569+36.58 OF F.A.P. 5



**STORM SEWERS**

MARK	STATION		SIDE	PIPE - LIN. FT.		CATCH BASIN	* SFC. M.H.	STD. M.H. NO. 1
	FROM	TO		12"	UNDER PAVT.			
1-S	564+0	565+11	RT.	108				
2-S	565+06	565+12	G	6	40	2		
3-S	565+11	565+55	RT.	6	40			
4-S	5-0+23	5-2+30	RT.	163	40			
<b>TOTALS</b>				<b>277</b>	<b>120</b>	<b>2</b>	<b>1</b>	<b>1</b>

**DRIVES AND APPROACHES**

MARK	STATION	SIDE	CUYDS	G'T TO DUCT	SQ. YDS.	L.F. DR. PIPE
1-D	564+0	L	3.2	26.3	42	
2-D	565+20	L	3.0	26.8	21	
3-D	HUBBARD N	L	7.7	18.1	0	
4-D	1+17 S	R	3.4	0	0	
5-D	HUBBARD S	L	2.9	19.5	0	
6-D	564+55.54	R	0	10.5	0	
<b>TOTAL</b>			<b>20.2</b>	<b>101.2</b>	<b>63</b>	

**TREES TO BE REMOVED MARKED THUS ✓**

STA.	SIDE	DIST. OUT	SIZE	KIND
N 1+39	LT.	22	34	MAPLE
S 0+57	RT.	21	35	MAPLE
S 1+03	RT.	21	24	STP.
S 1+31	RT.	22	50	MAPLE
<b>TOTAL THIS SHEET - 4 TREES</b>				

**REMOVAL OF EXISTING PAVT.**

STATION	FROM TO	LGTH	WIDTH	SQ. YD.
565+03	565+11	8	20	17.8
565+55	At M.H.			6.0
<b>TOTAL</b>				<b>23.8</b>

**PIPE TO BE REMOVED & STORED**

STATION	SIDE	DIST. OUT	SIZE & KIND	LIN. FT.
565+17	RT.	13	10" V.S.P.	40
50+11	RT.	20	10" V.S.P.	219
<b>TOTAL</b>				<b>259</b>

**SEALING (ONLY) EDGES OF EXISTING PAVT. & NEW BASE.**

STATION	FROM TO	SIDE	LIN. FT.
564+0	564+91.6	RT & LT	366.4
<b>TOTAL</b>			<b>366.4</b>

**REMOVAL OF EXISTING STRUCTURE**

STA.	SIDE	DIST. OUT	OBJECT	QUANTITY
565+17	RT.	13	INLET BASIN	1 LUMP
S 2+27	RT.	20	HDWL.	1 LUMP
<b>TOTAL</b>				<b>2 LUMP</b>

**REPLACEMENT FOR DEFECTIVE AREAS & CROSS-OVERS**

STATION	FROM TO	LGTH	WIDTH	8" B71 SQ. YD.
565+03	565+11	8	20	17.8
565+55	At M.H.			6.0
<b>TOTAL</b>				<b>23.8</b>

**HEADWALLS**

MARK	STA.	SIDE	CLASS "E" STRUCTURE CONC.-CY.	EXC.-CY.
1-H	S 2+30	RT.	1.1	4

**SIDEWALK**

STATION	FROM TO	SIDE	LGTH.	WIDTH	SQ. FT.
564+0	565+06	RT.	106.0	4'-6"	477.0
565+06	565+27	RT.	20.4	4'-6"	91.8
565+27	565+46	RT.	20.7	6'-0"	124.2
565+46	565+64	RT.	37.9	4'-6"	170.6
565+64	565+66	RT.	13.1	4'-6"	59.0
566+10	566+45	RT.	39.5	6'-0"	237.0
564+00	564+07.5	LT.	7.5	4'-6"	33.8
564+44	564+73	LT.	29.0	4'-6"	130.5
<b>TOTAL</b>					<b>1323.9</b>

- 676.52
- 676.45
- 676.34
- 676.32
- 676.32
- 676.28
- 676.20
- 676.05
- 675.92

