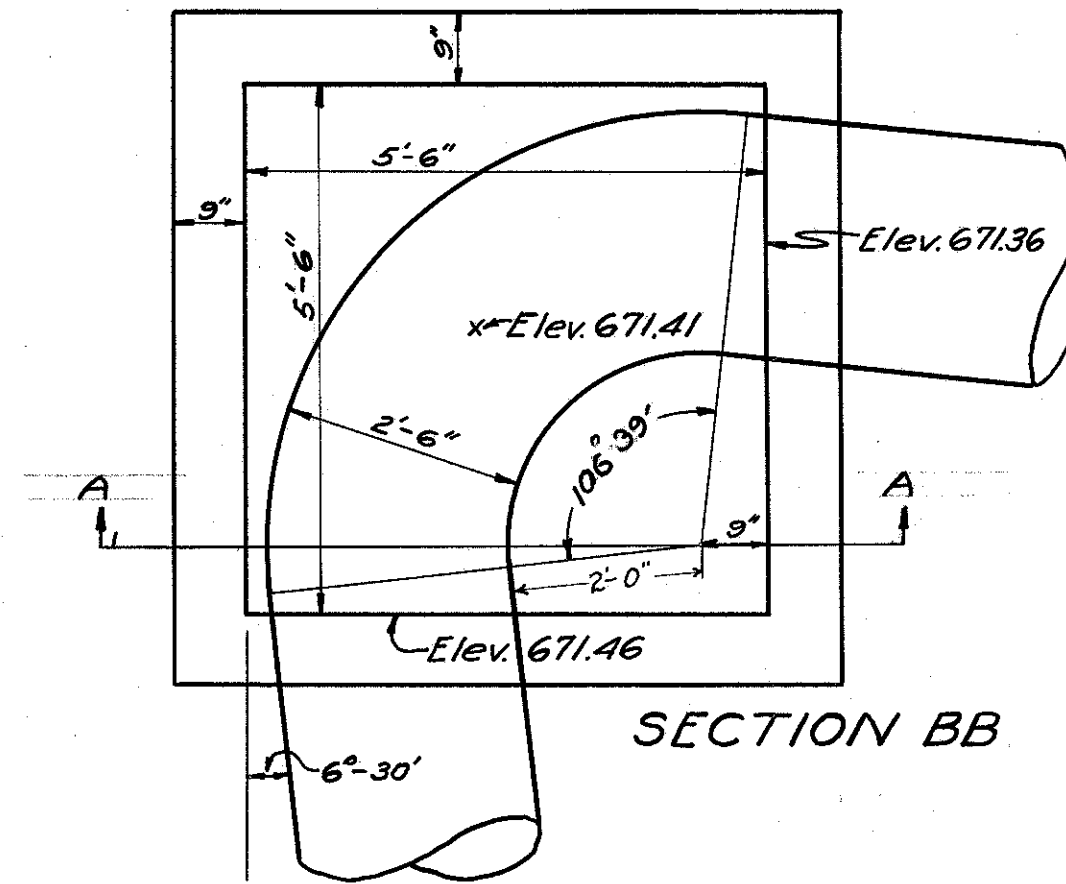
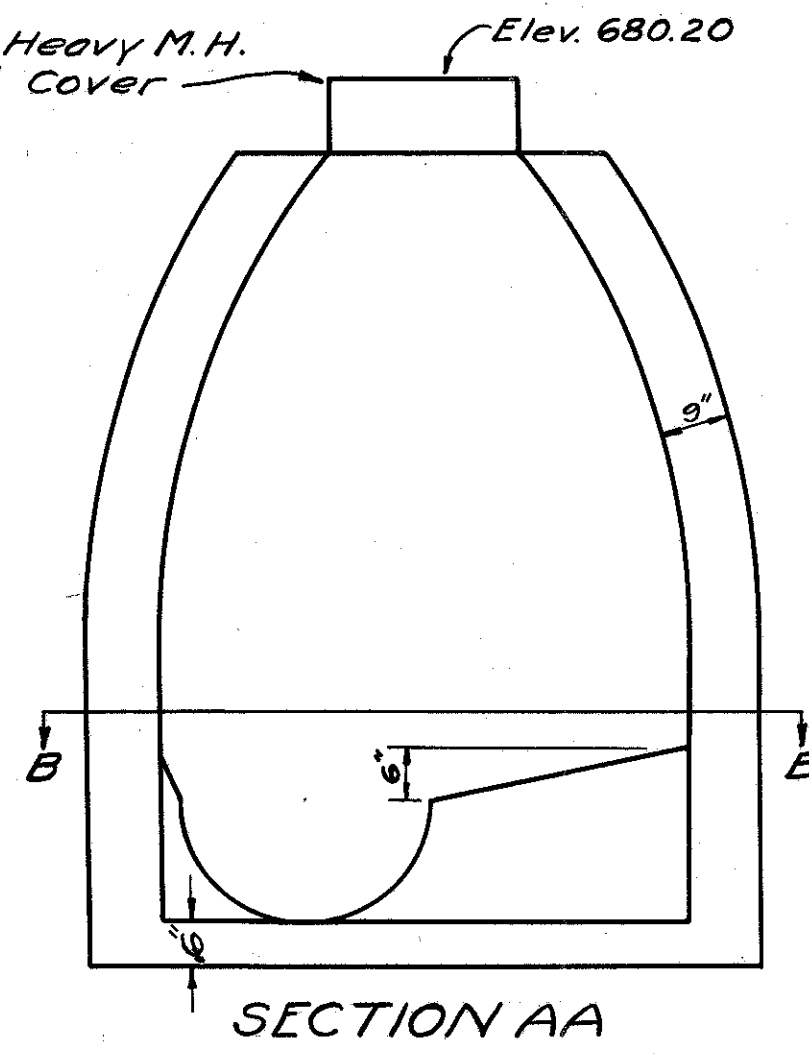


**DRAINAGE STRUCTURE NO. 5D OF SHEET 10**  
**STATION 365 + 00**  
 SCALE 1/2" = 1'

1 Standard Heavy M.H.  
 Frame and Cover

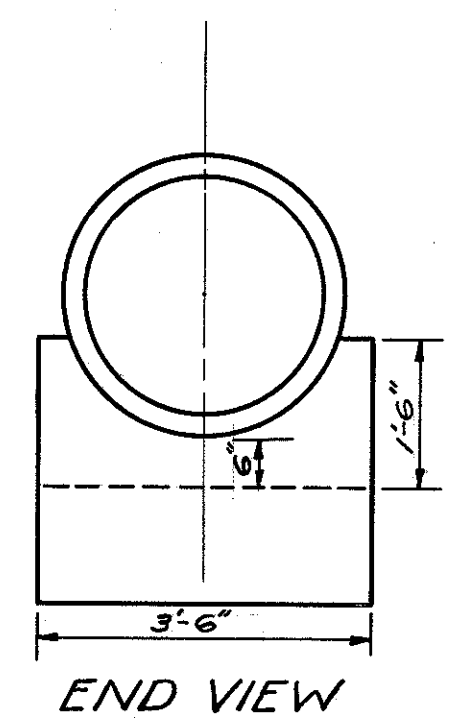
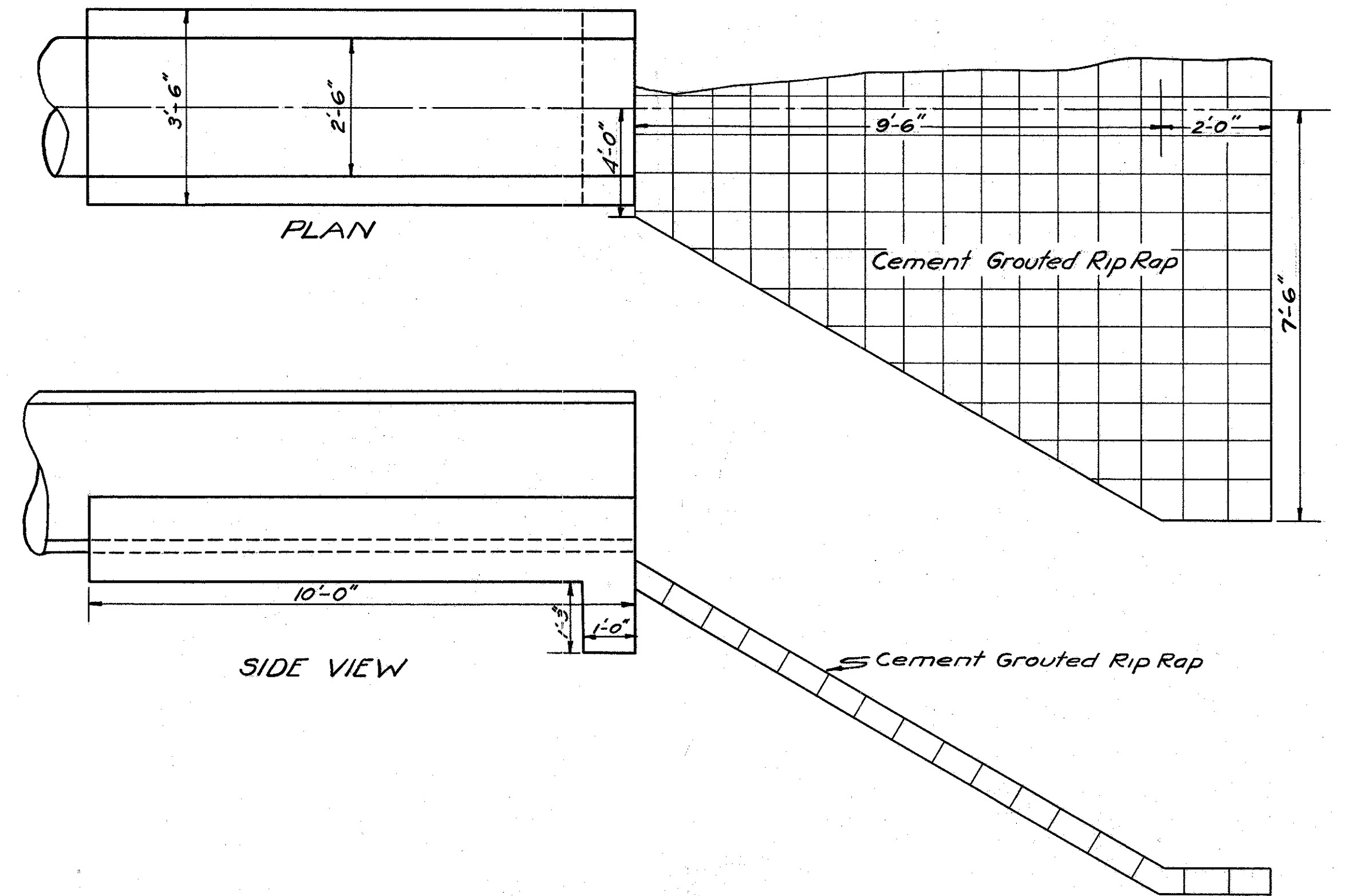


**DETAIL OF SEWER OUTFALL NO. 4D SHEET 10**  
**STATION 365 + 00**  
 SCALE 1/2" = 1'

FED. RD. DIST. NO.	STATE	FED. AID PROJECT	FISCAL YEAR
10	OHIO	4(4)	1939

CLEVELAND - BUFFALO ROAD  
 S. H. No. 2 SEC. J (Pt.)  
 LAKE COUNTY

62-A  
 68



Concrete (Class 'C') for Cradle 1.34 Cu. Yds.  
 Type 'A' Riprap, Grouted 18 Sq. Yds.  
 Quantities carried to Roadway Drainage Table, sheet 10