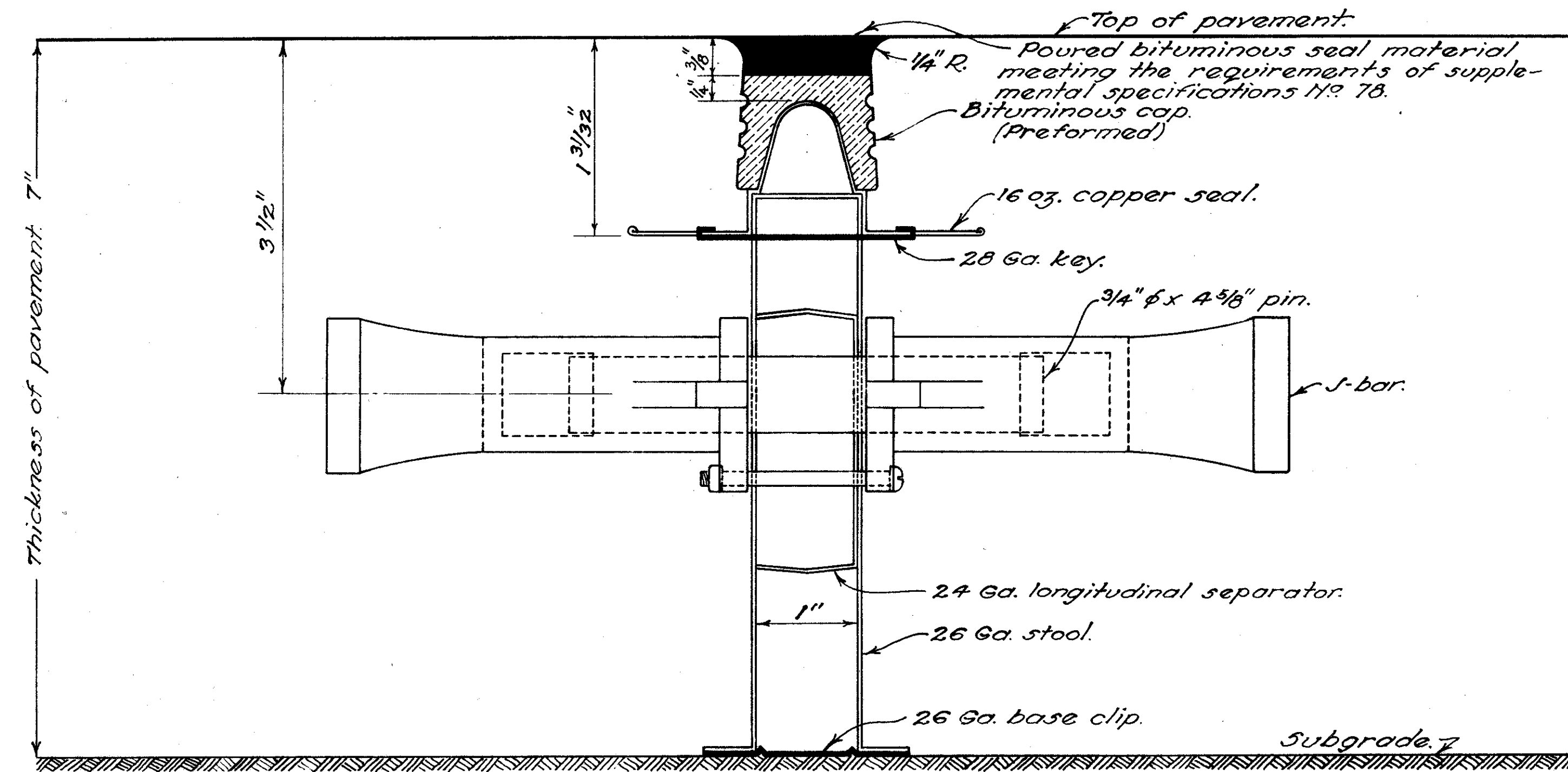
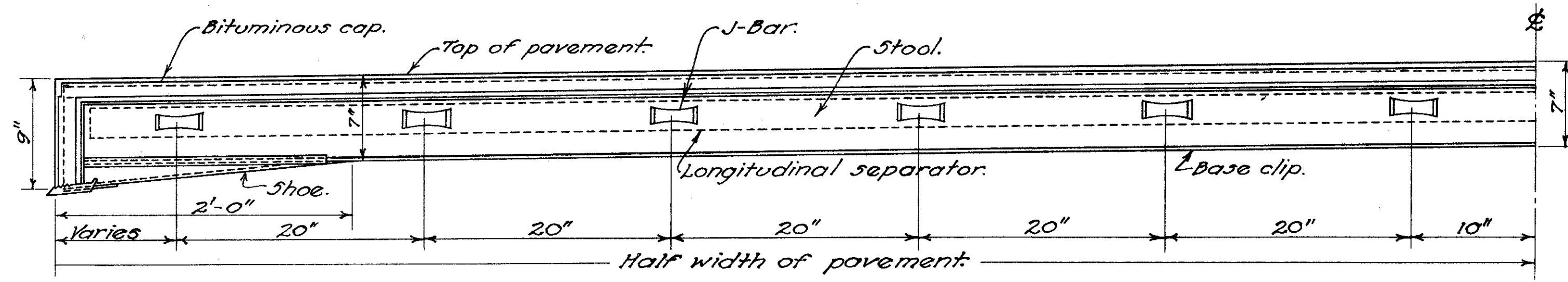


# TRANSVERSE JOINTS

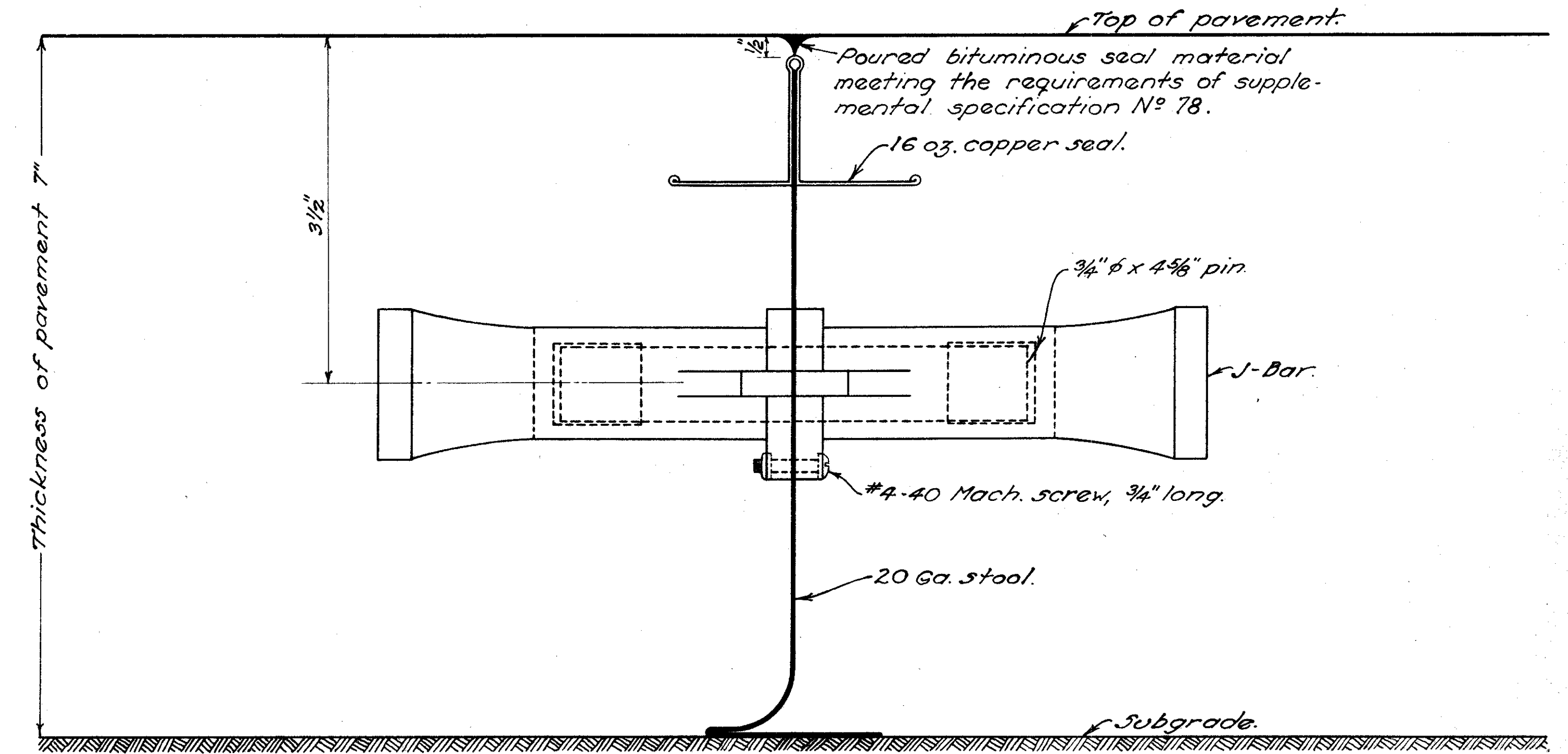
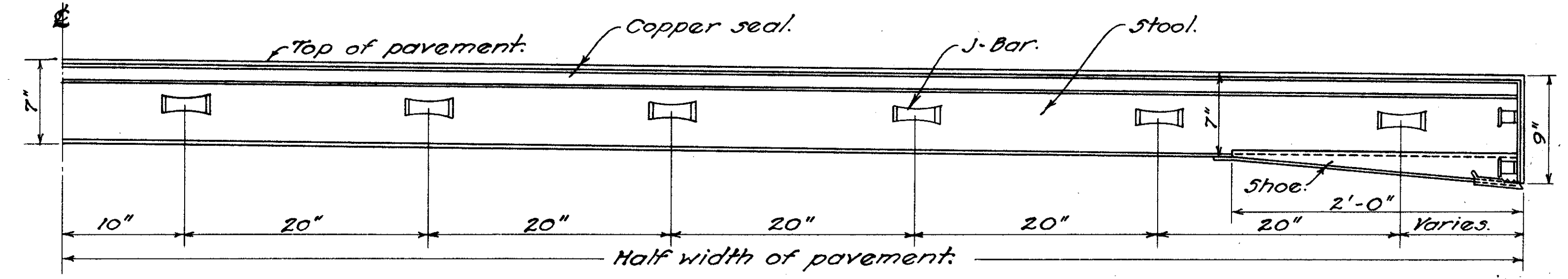
FED. RD. DIST. NO.	STATE	FED. AID PROJECT	FISCAL YEAR	2-B 31
10	OHIO	4(3)	1938	

## EXPANSION JOINT

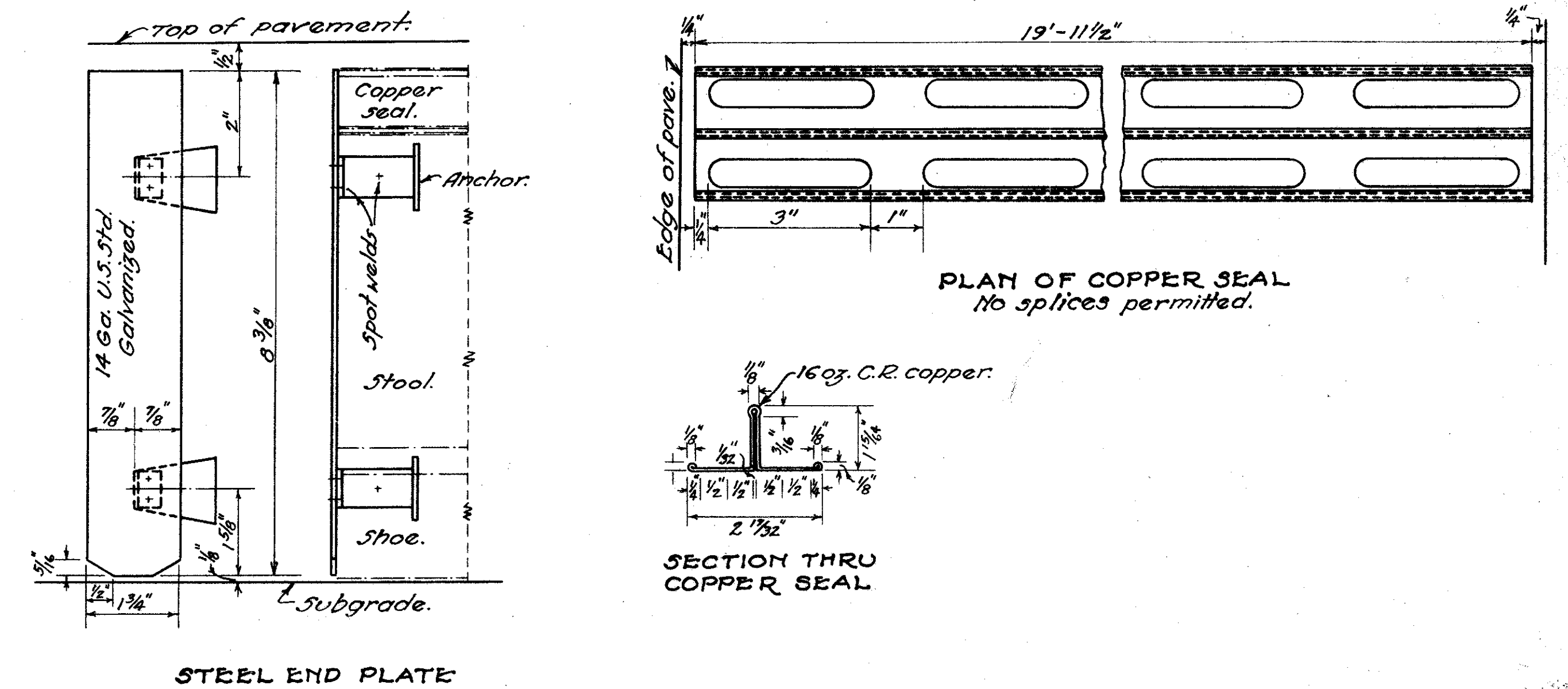
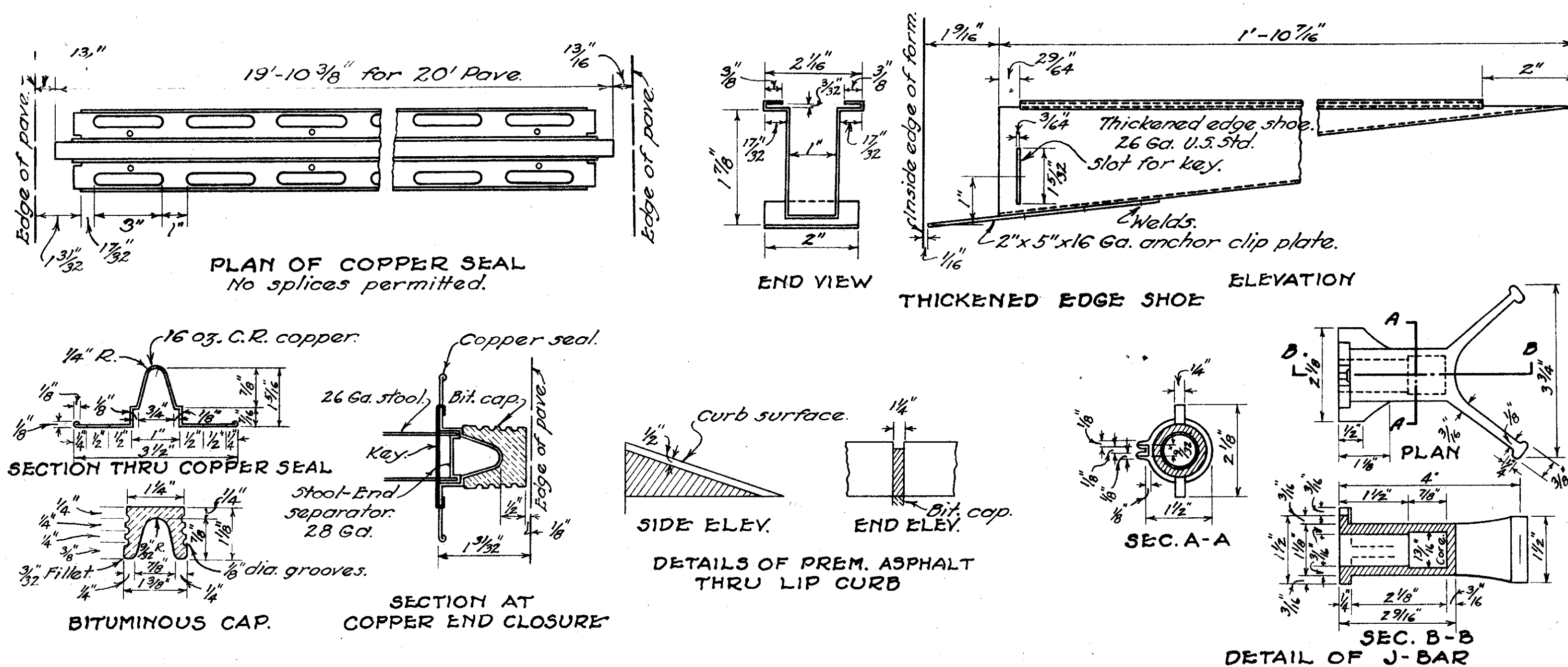


TYPICAL SECTION OF JOINT

## CONSTRUCTION JOINT



TYPICAL SECTION OF JOINT



TJ-1