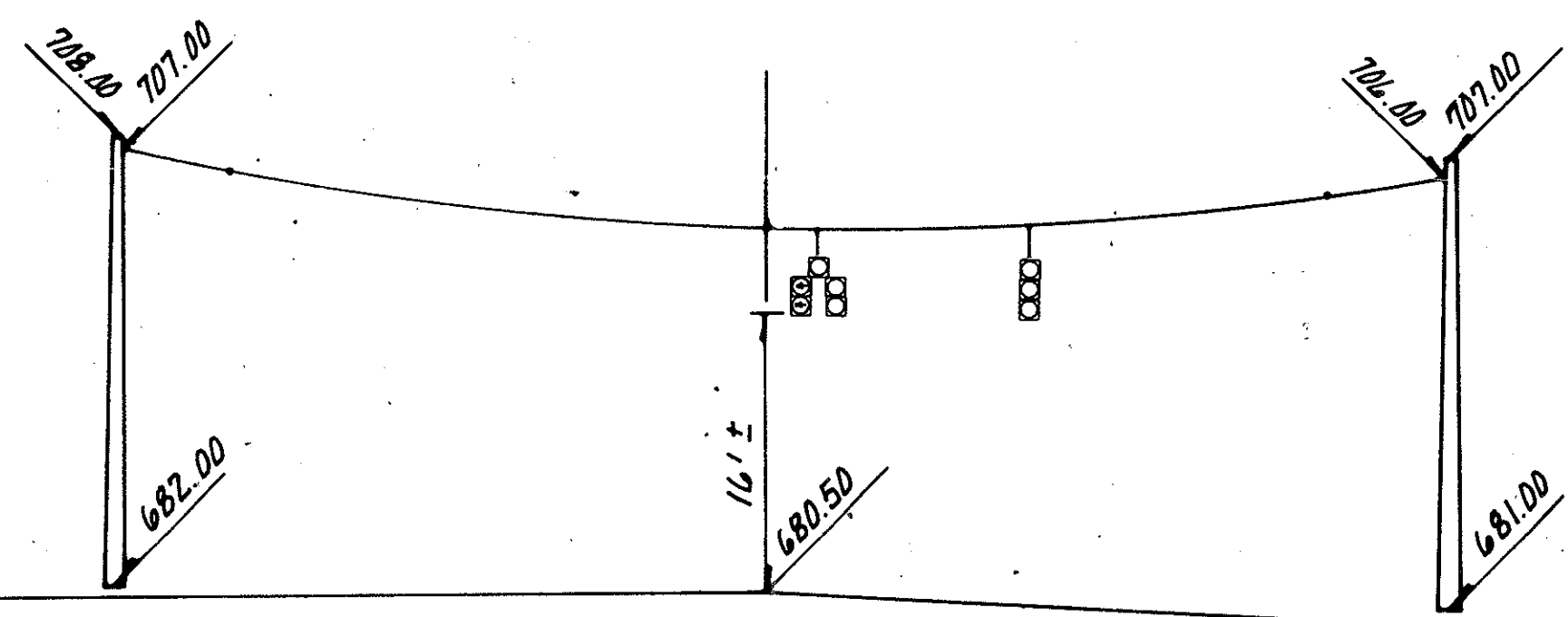
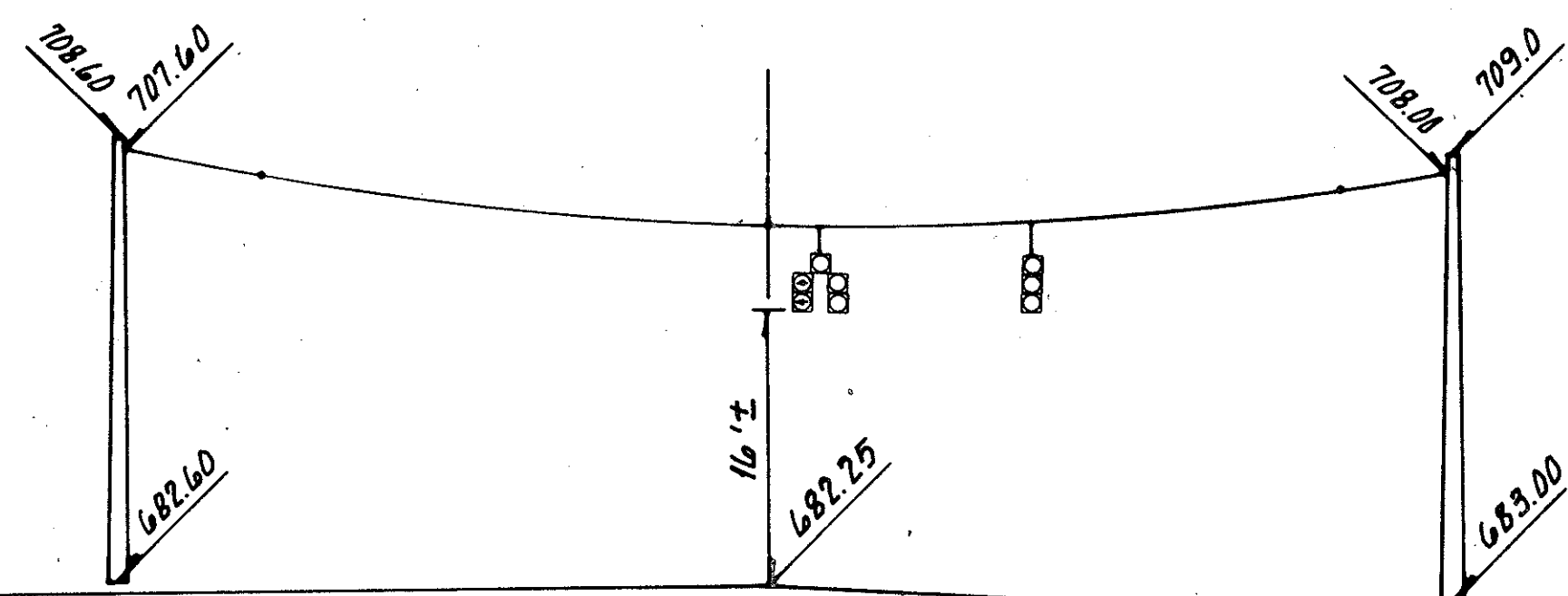


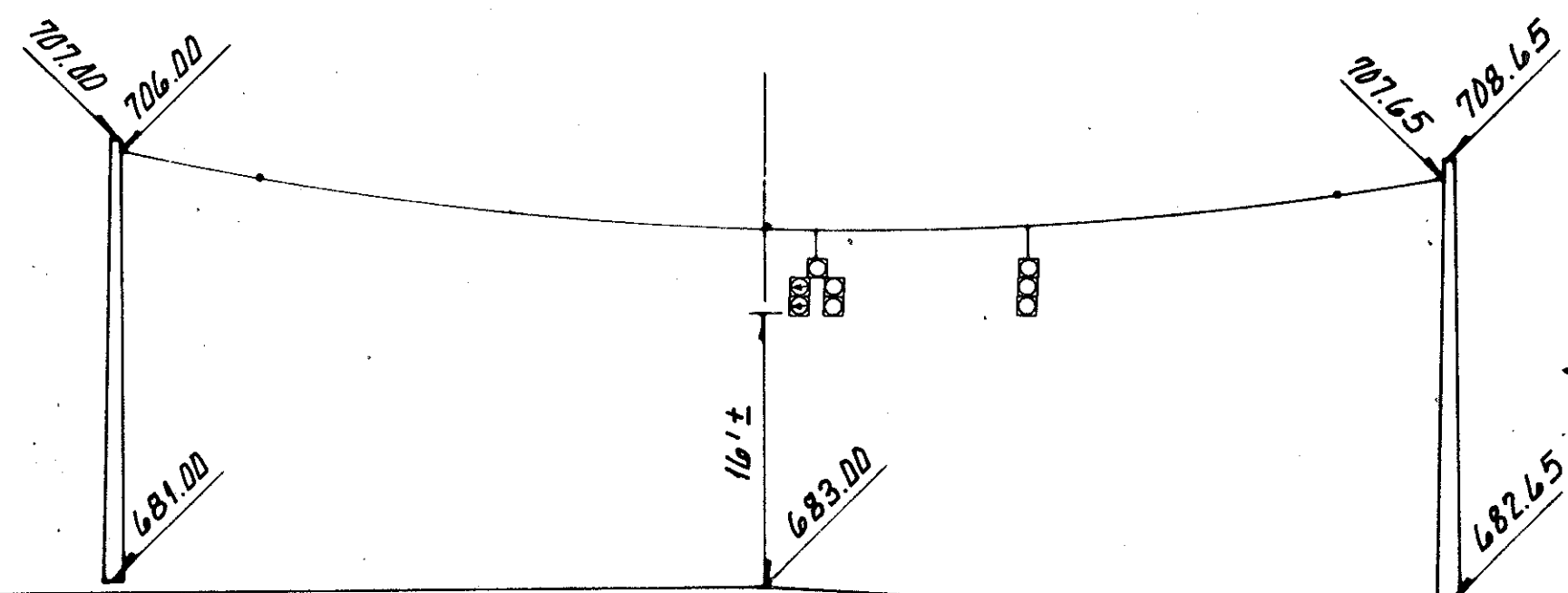
REPRODUCTION
FEB 17



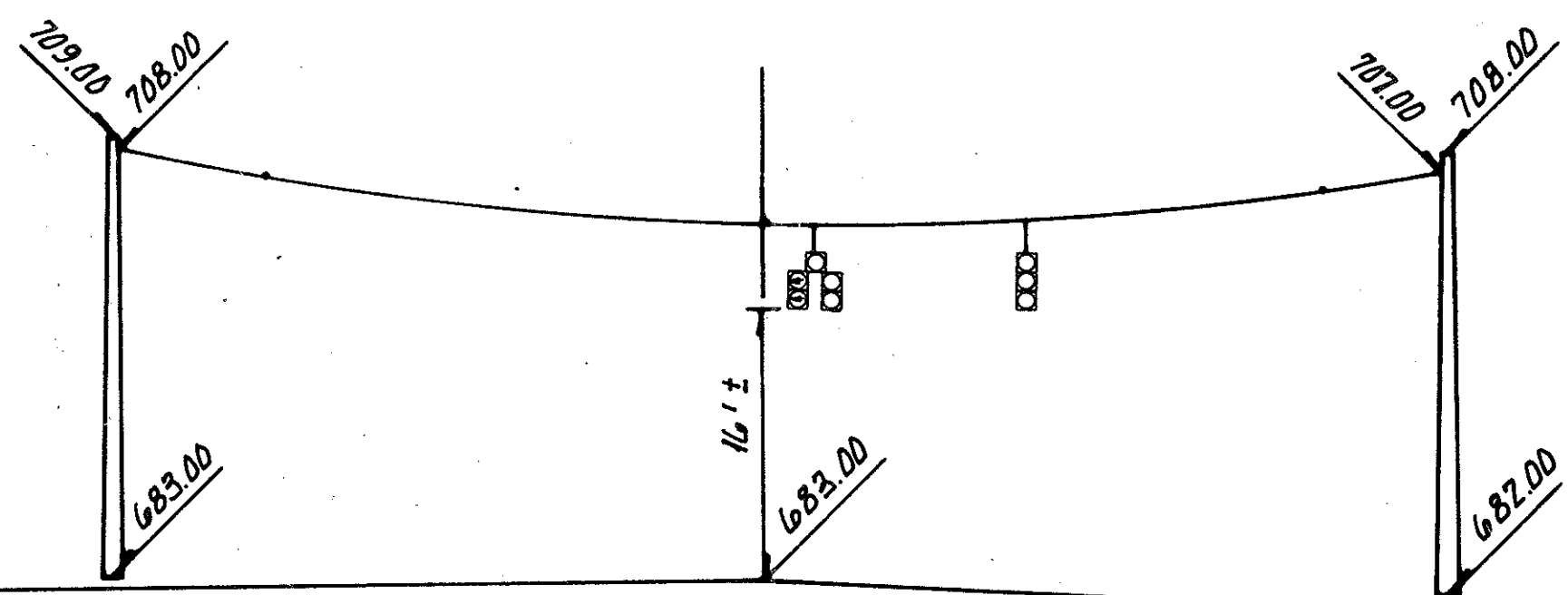
LOOKING NORTH



LOOKING SOUTH

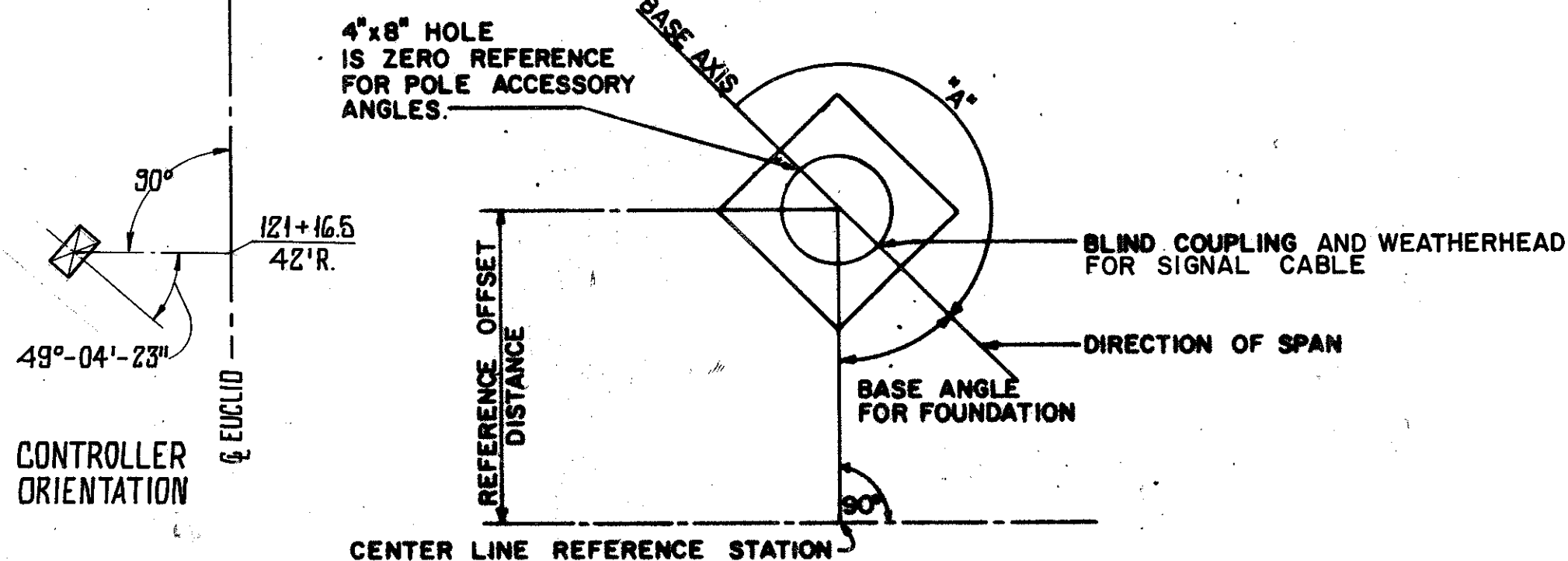


LOOKING EAST



LOOKING WEST

ELEVATION VIEWS

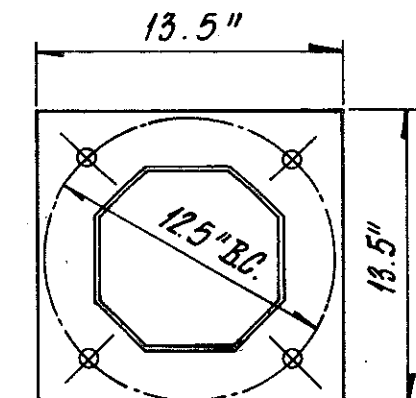
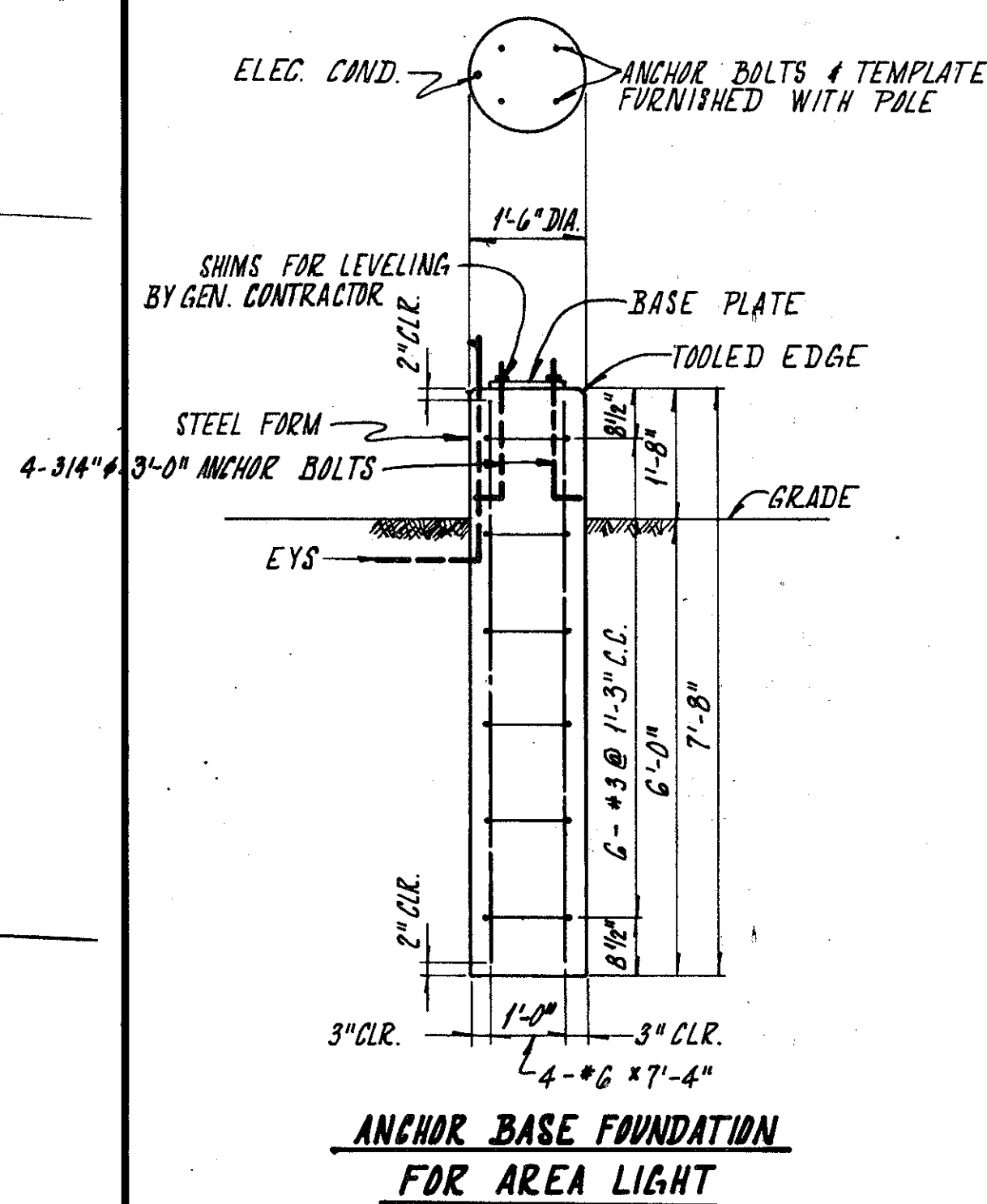


FOUNDATION STATION	OFFSET	BASE ANGLE FOR FOUNDATION	ANGLE OF 4"x8" HOLE	BLIND COUPLING SIZE	BLIND COUPLING ANGLE "A"	BLIND COUPLING FROM TOP	PED. PUSHBUTTON ANGLE "A"
121+13 (EUCLID AVE)	38'R	46°-54'-11"	226°-54'-11"	2"	180°	12"	180°
121+90 (EUCLID AVE)	37'R	43°-27'-42"	223°-27'-42"	2"	180°	12"	180°
10+39.5 (E.305th ST.)	39'L	47°-01'-28"	227°-01'-42"	2"	180°	12"	180°
10+41 (E.305th ST.)	41'L	42°-36'-39"	222°-36'-39"	2"	180°	12"	180°

ORIENTATION DIAGRAM FOR STRAIN POLES

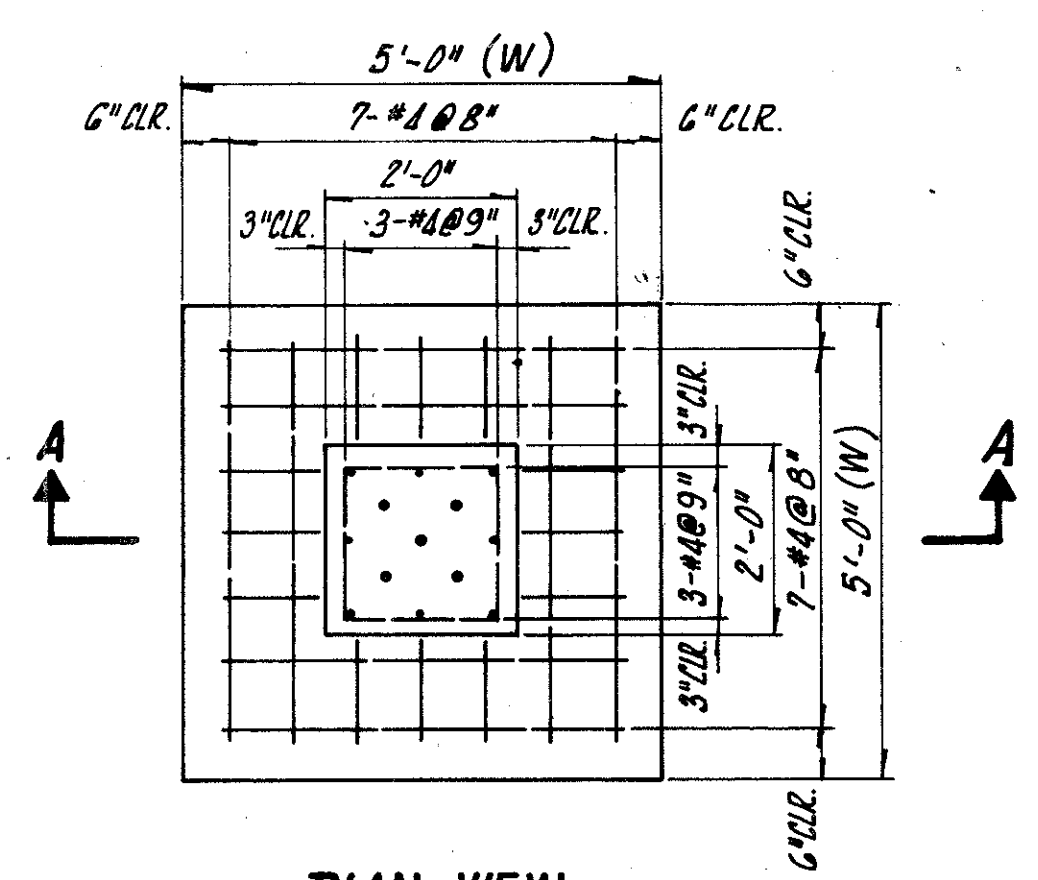
FOUNDATION NOTES

1. CONCRETE SHALL BE ODOT 511
2. REINFORCING BARS DEFORMED, MINIMUM COVER DISTANCE 3"
3. SET BOTTOM OF FOOTINGS 3" BELOW FROST LINE.
4. DIMENSION "W" IS BASED ON POURED FOOT ABUTTING VIRGIN, UNDISTURBED SOIL, GOOD FOR SOIL PRESSURE OF 2000 P.S.F.

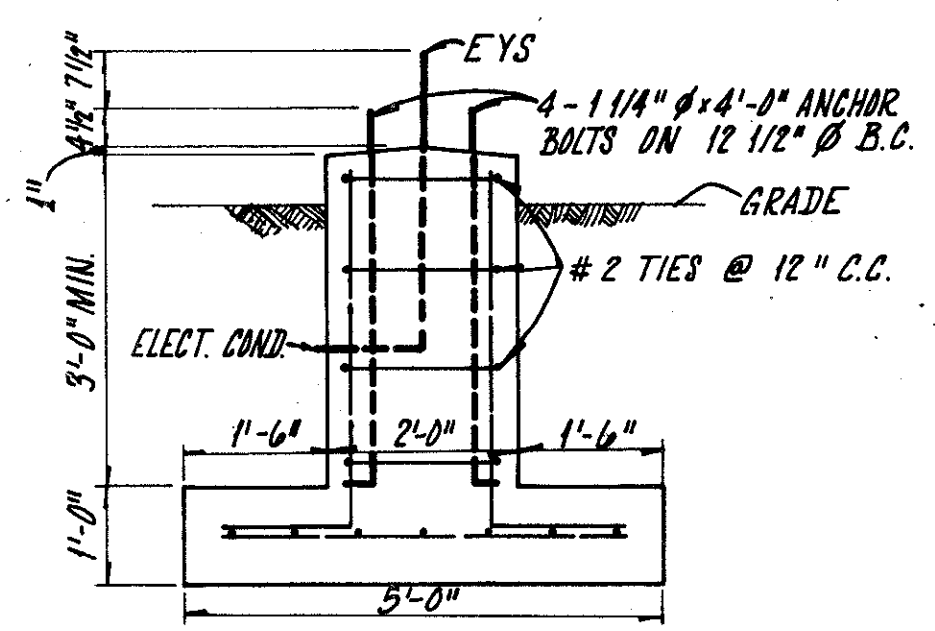


BASE PLATE DETAIL

ANCHOR BASE FOUNDATION FOR AREA LIGHT



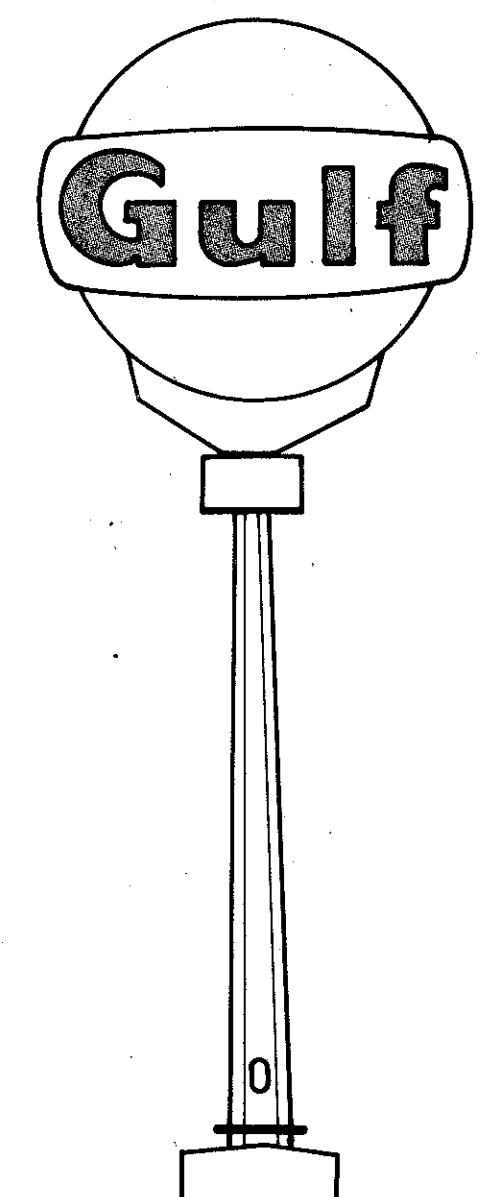
PLAN VIEW



SECTION A-A

ERRECTION NOTES FOR SIGN

- A. CONSTRUCT FOUNDATION - SET ANCHOR BOLTS WITH AID OF TEMPLATE
- B. INSERT & TIGHTEN BOLTS IN FLANGES CONNECTING DISC SADDLE TO POLE
- C. INSTALL #12 AWG 2 CONDUCTOR THHN/THWN WIRE FOR PLASTIC DISC
- D. ERECT POLE AND ADJUST SUPPORTING NUTS TO PLUMB POLE
- E. HOIST PLASTIC DISC INTO PLACE-USE HOISTING RING-CONNECT WIRING, INSERT & TIGHTEN BOLTS CONNECTING DISC TO SADDLE



ELEVATION VIEW

(6' DIA. SIGN L-7-12)

CALC. BY DATE	LAK-20-2.18	OHIO	7
CHKD. BY DATE	EUCLID AVE., RUSH RD.	FHWA REGION	5
DATE	AND E. 305th STREET	FEDERAL PROJECT	8

ITEM SPECIAL-RELOCATION OF "GULF" GAS SIGN
ITEM SPECIAL-RELOCATION OF AREA LIGHTS

This work shall consist of furnishing all labor, materials, and equipment necessary to properly relocate an existing "Gulf" gas sign and area lights at the locations indicated on the plans. The work shall include the careful dismantling, salvaging, storing for re-use, and relocation of the existing sign, lights and appurtenances. Any materials that are necessary to properly relocate and place in operation the sign and lights that are deemed unsalvageable by the Engineer shall be replaced in kind by the Contractor at no additional expense to the State or City of Wickliffe. The work shall also include the disconnection of the existing electrical conduit, accessories, and appurtenances; the removal and disposal of the existing foundation above grade; the extension of the electrical conduit of the same type and size as the existing including all splices and accessories to the new locations; the construction of the sign and lighting foundation as detailed on the plans including all appurtenances; the installation and connection to the electrical conduit the sign and lights such that they are operational to the satisfaction of the Gulf Oil Corporation; backfilling of all trenches, holes and pits; pavement replacement, trenching, restoration of all damaged areas, and the disposal of all material not deemed salvageable by the Engineer.

The accepted quantities for relocation of the "Gulf" gas sign and area lights will be paid for at the contract lump sum price bid, which price shall be full compensation for all labor, material, and equipment necessary to relocate and have in operation the sign and lights.

Before work is started on the relocation the Contractor shall notify the Gulf Oil Corporation's local Field Engineer, Mr. Thomas Caldwell at 1-216-864-5539 forty-eight(48) hours in advance of beginning of work.

EUCLID, RUSH, & E. 305th STREET