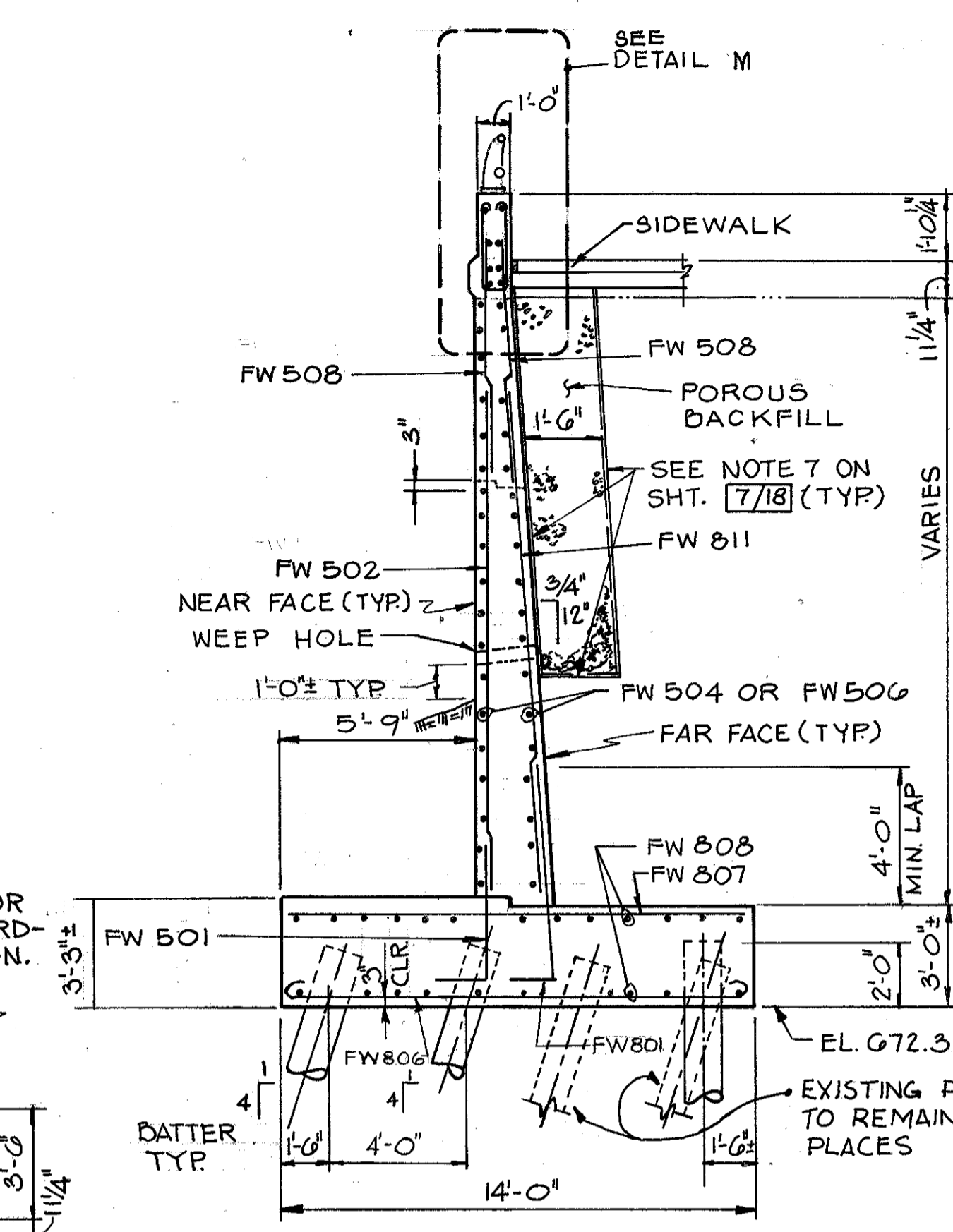


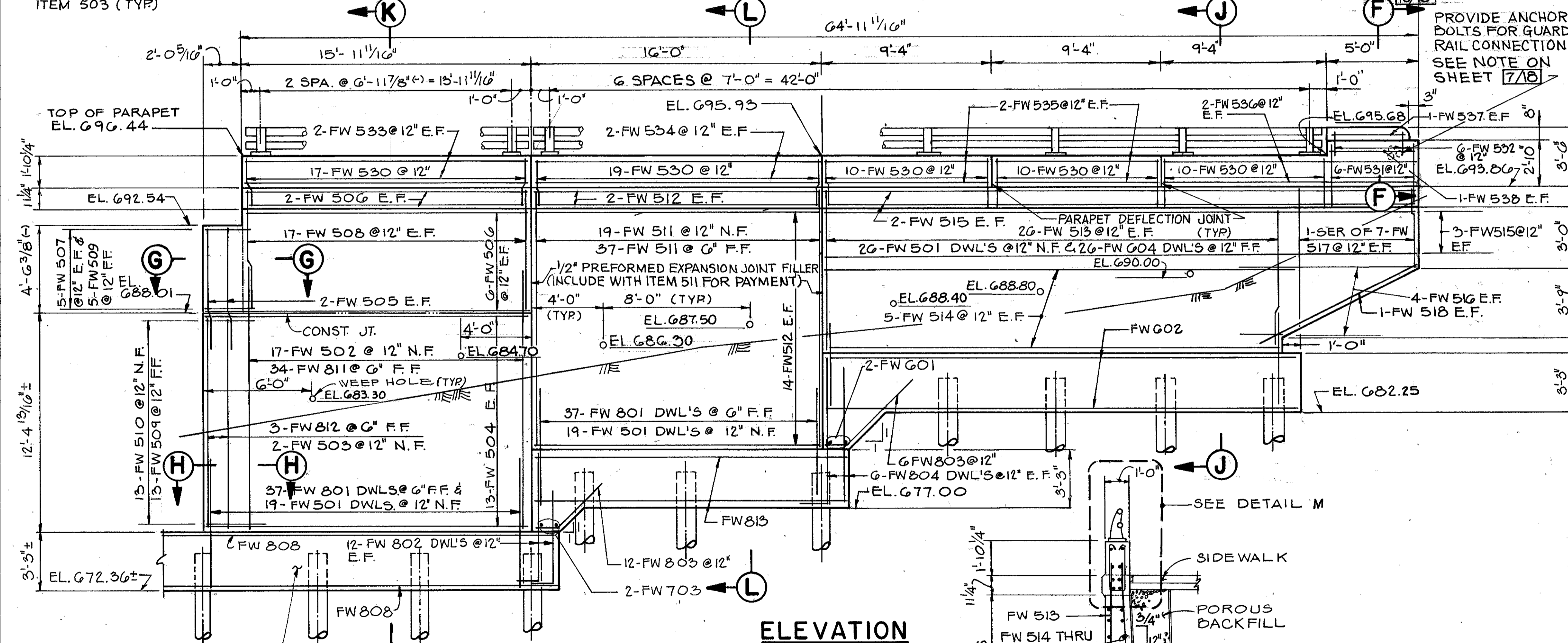
WIDTH OF EXCAVATION FOR THE PURPOSE OF PAYMENT UNDER ITEM 503 (TYP)
LIMIT FOR FOOTING EXCAVATION (TYP)

FOOTING REINFORCEMENT PLAN



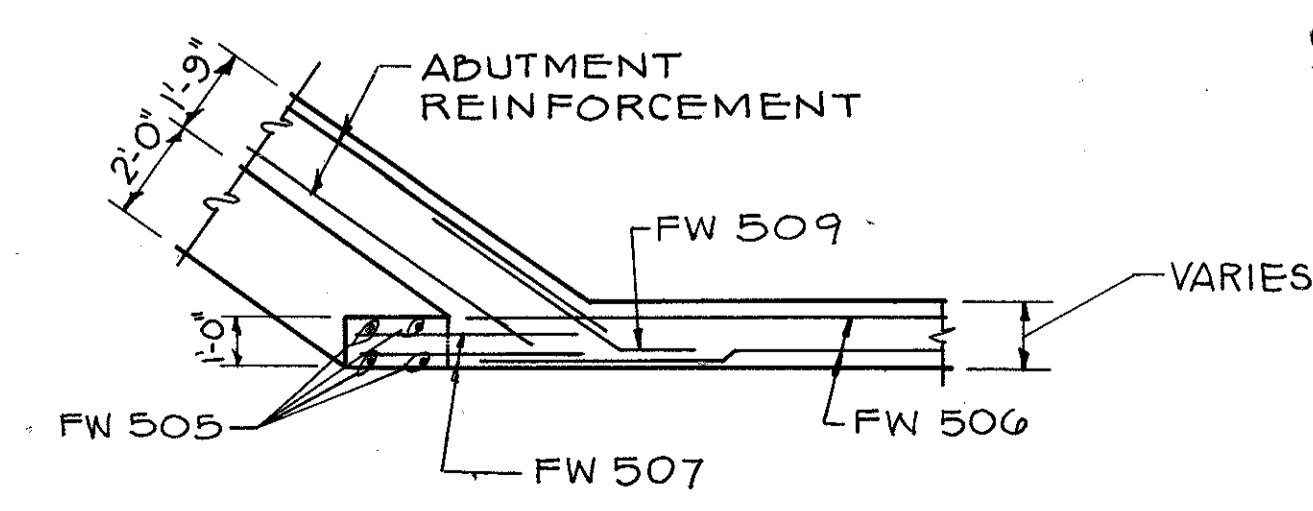
SECTION K-K

NOTE:
FOR LEGEND AND NOTES SEE SHEETS 6/18 & 7/18

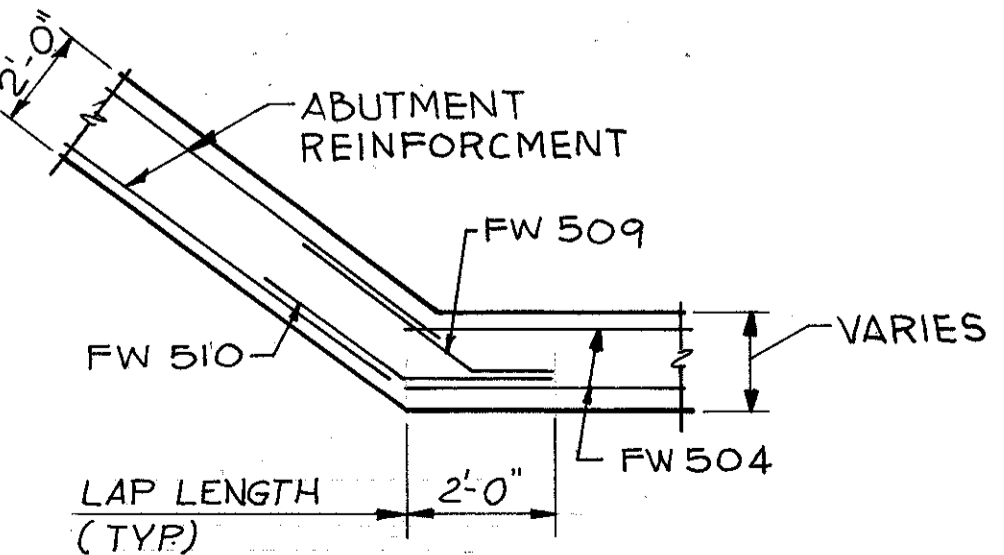


ELEVATION

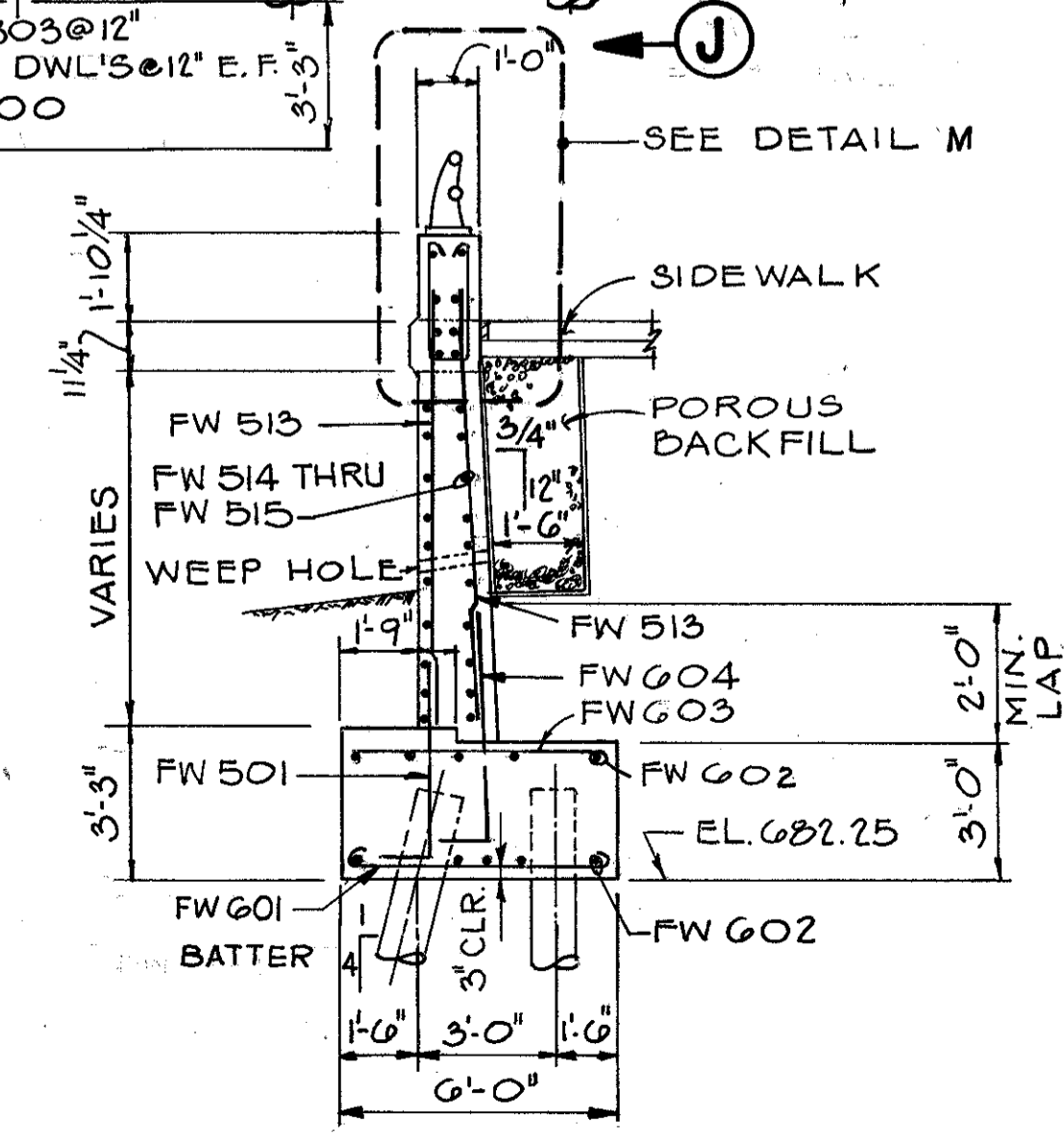
FOR REINFORCEMENT IN FOOTING, SEE SHEET 8/18



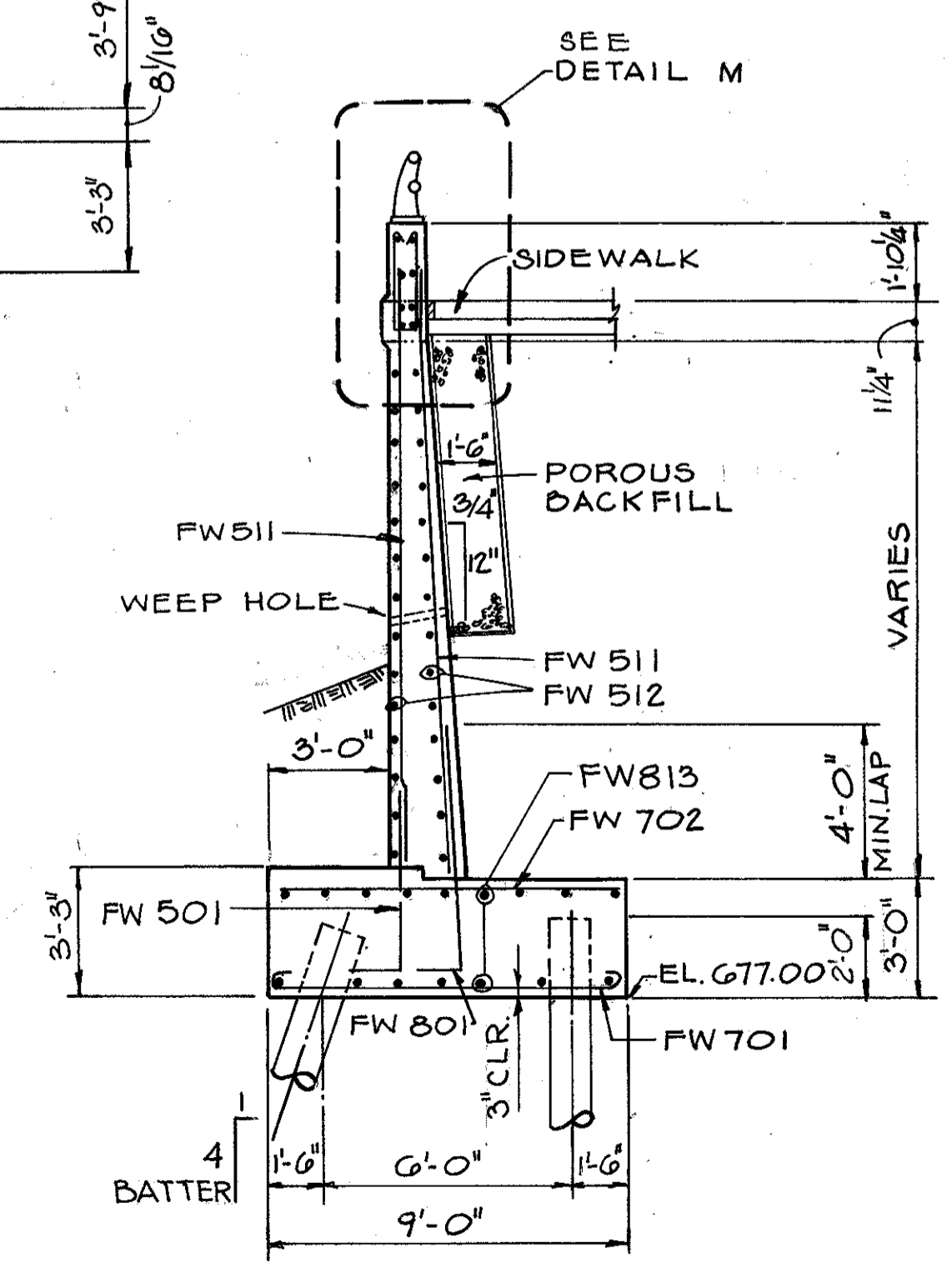
SECTION G-G



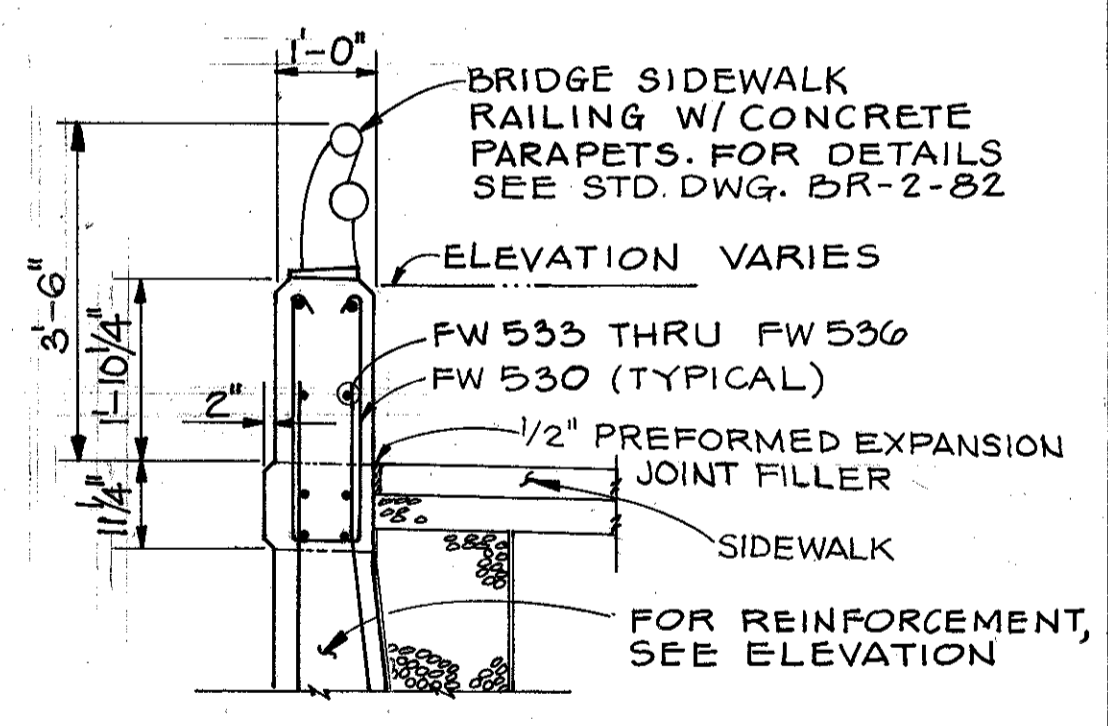
SECTION H-H



SECTION J-J



SECTION L-L



DETAIL M

POLYTECH, INC.		9 / 18
CONSULTING ENGINEERS		CLEVELAND, OHIO
FORWARD ABUTMENT WINGWALLS & SECTIONS		
BRIDGE NO. LAK-20-1939 OVER S.R.2. (EAST BOUND)		
DESIGNED	DRAWN	TRACED
CT	EPW	—
CHECKED	REVIEWED	DATE
GA	BS	4/88