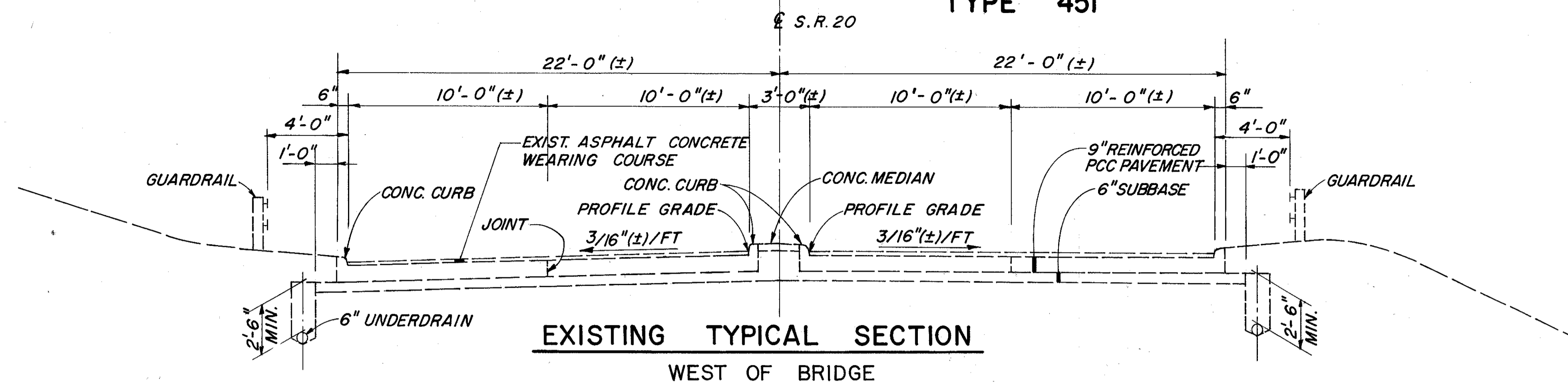


TYPICAL SECTIONS

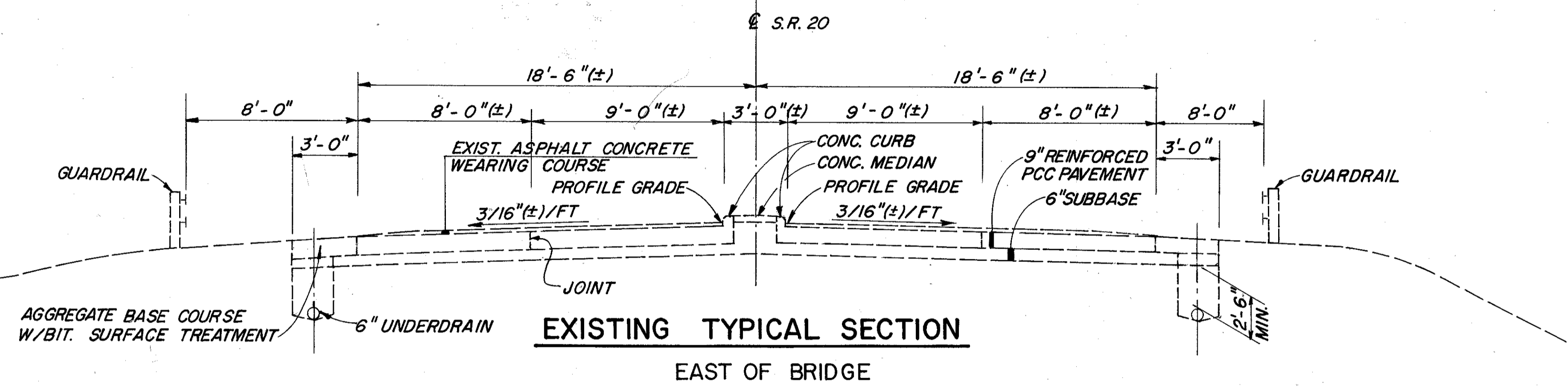
TYPE 451

FHWA REGION	STATE	PROJECT
5	OHIO	

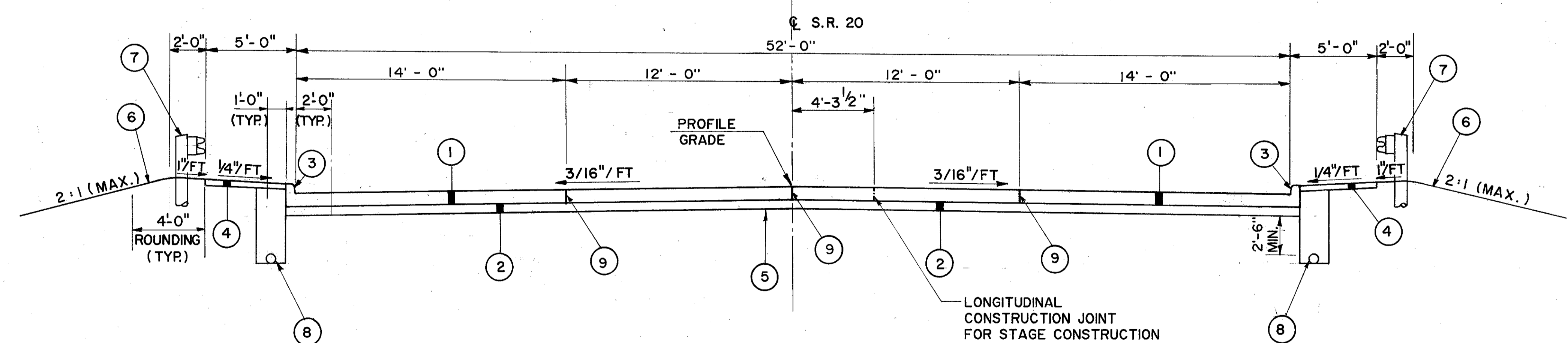
LAKE COUNTY
LAK - 20 - 19.39



EXISTING TYPICAL SECTION
WEST OF BRIDGE

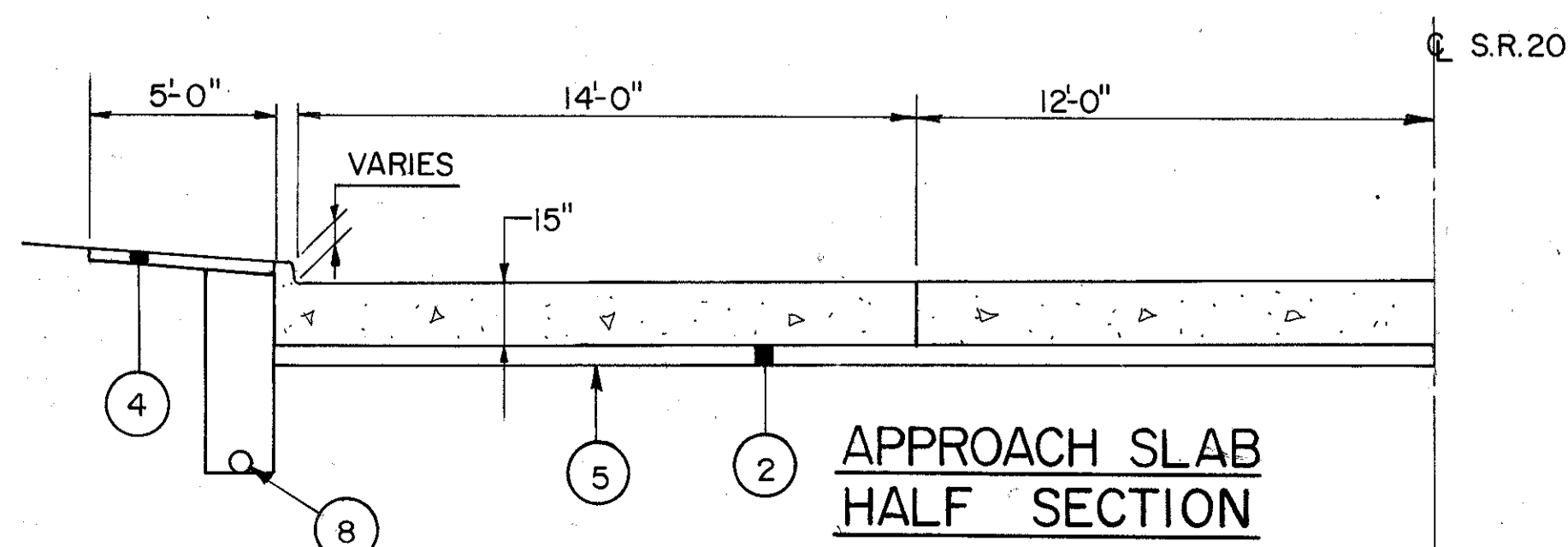


EXISTING TYPICAL SECTION
EAST OF BRIDGE

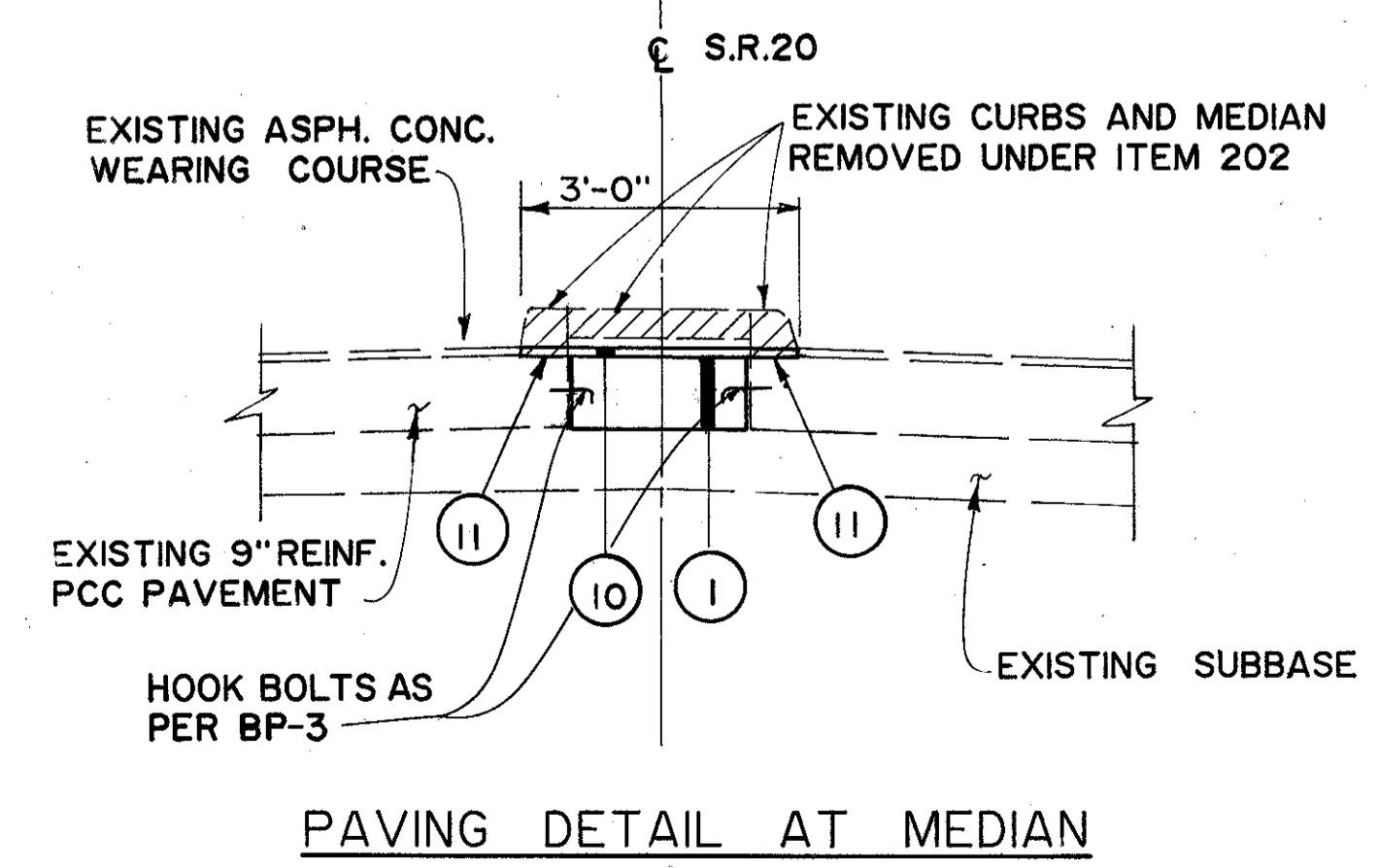


TYPICAL SECTION
TYPE 451

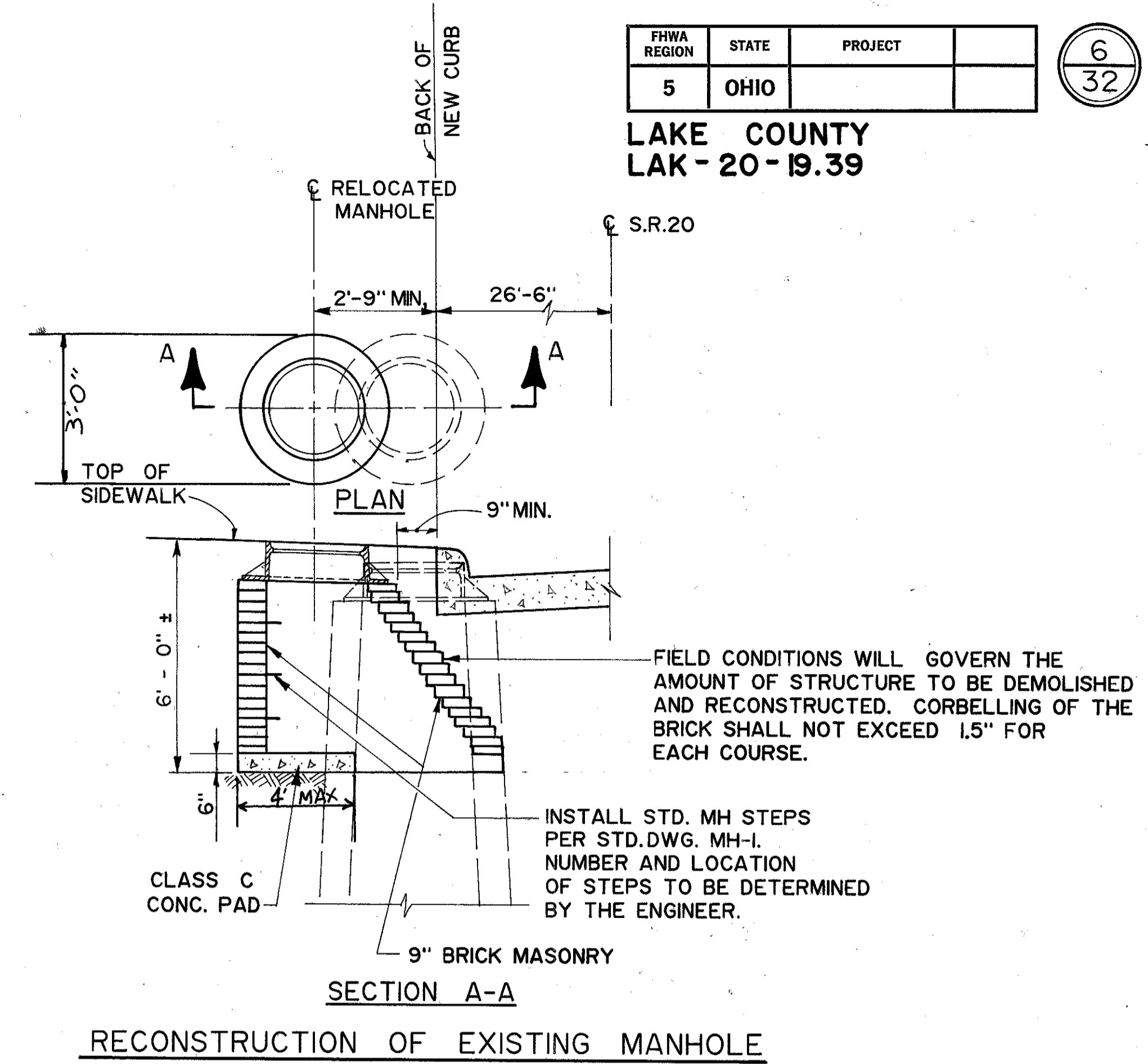
STA. 97 + 50.00 TO STA. 98 + 17.09
STA. 101 + 34.75 TO STA. 102 + 00.00



APPROACH SLAB
HALF SECTION



PAVING DETAIL AT MEDIAN



SECTION A-A
RECONSTRUCTION OF EXISTING MANHOLE

LEGEND

- (1) ITEM 451 9" REINFORCED CONCRETE PAVEMENT, AS PER PLAN.
- (2) ITEM 310 6" SUBBASE, TYPE I, GRADING A, AS PER PLAN.
- (3) ITEM 609 CURB, TYPE 2-A.
- (4) ITEM 608 4" CONCRETE WALK
- (5) ITEM 203 SUBGRADE COMPACTION
- (6) ITEM 659 SEEDING & MULCHING
- (7) ITEM 606 GUARDRAIL TYPE 5
- (8) ITEM 605 6" SHALLOW PIPE UNDERDRAIN, AS PER PLAN.
- (9) STANDARD LONGITUDINAL JOINT
- (10) ITEM 404 1 1/4" ASPHALT CONCRETE, AC-20
- (11) ITEM 407 TACK COAT

