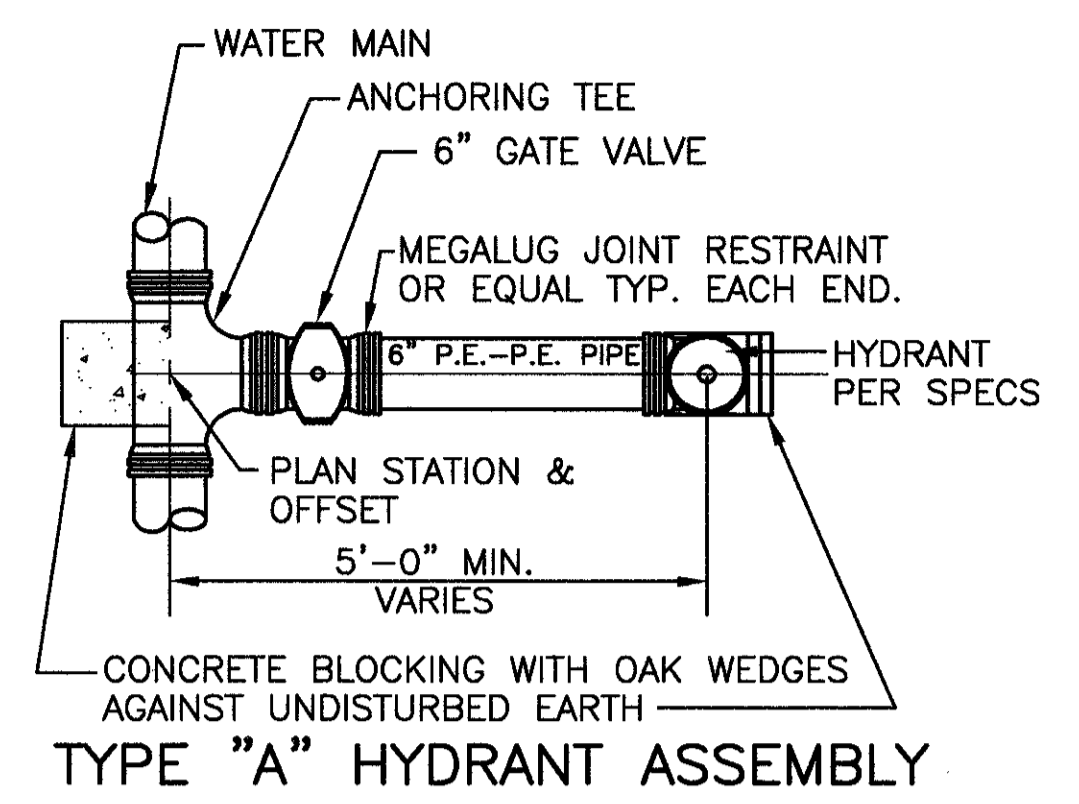
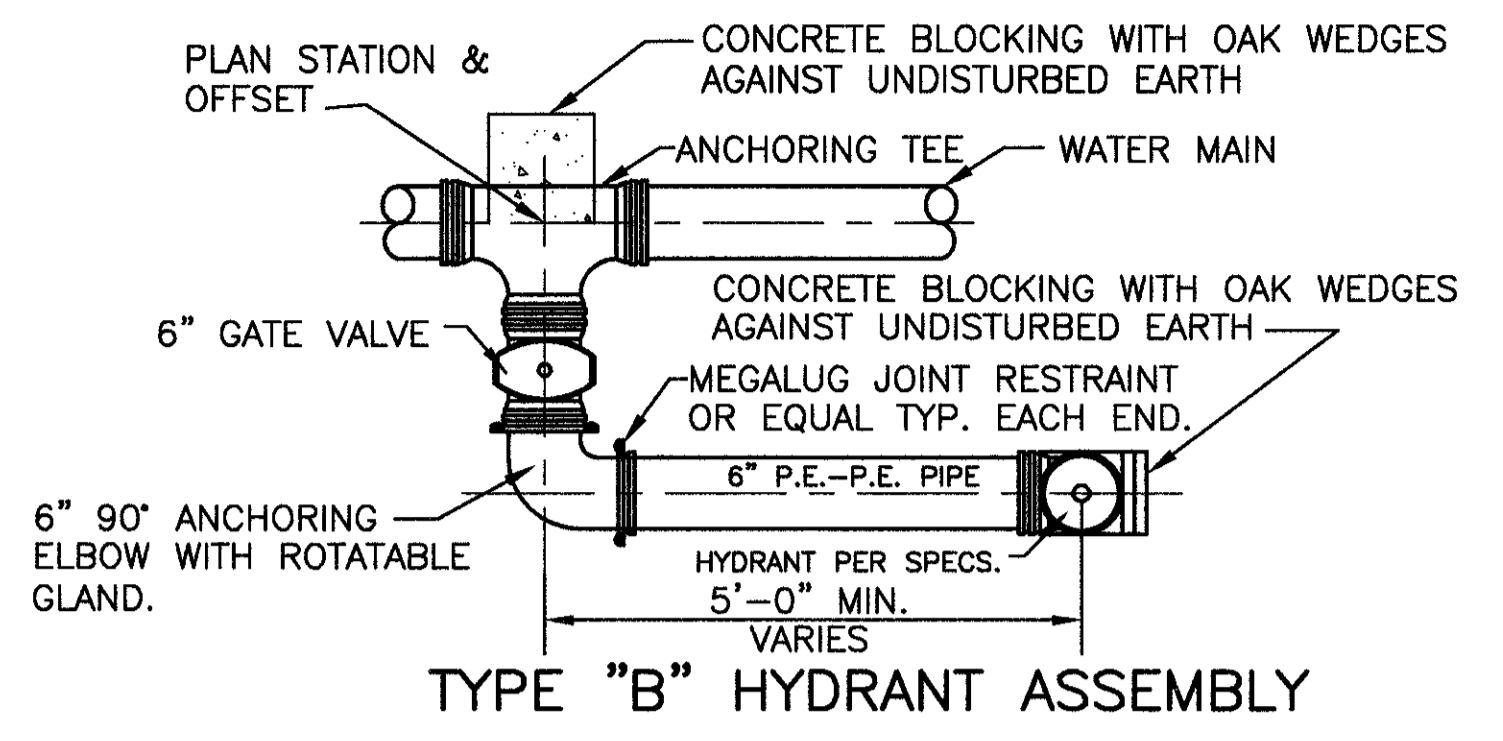


HYDRANT BLOCKING

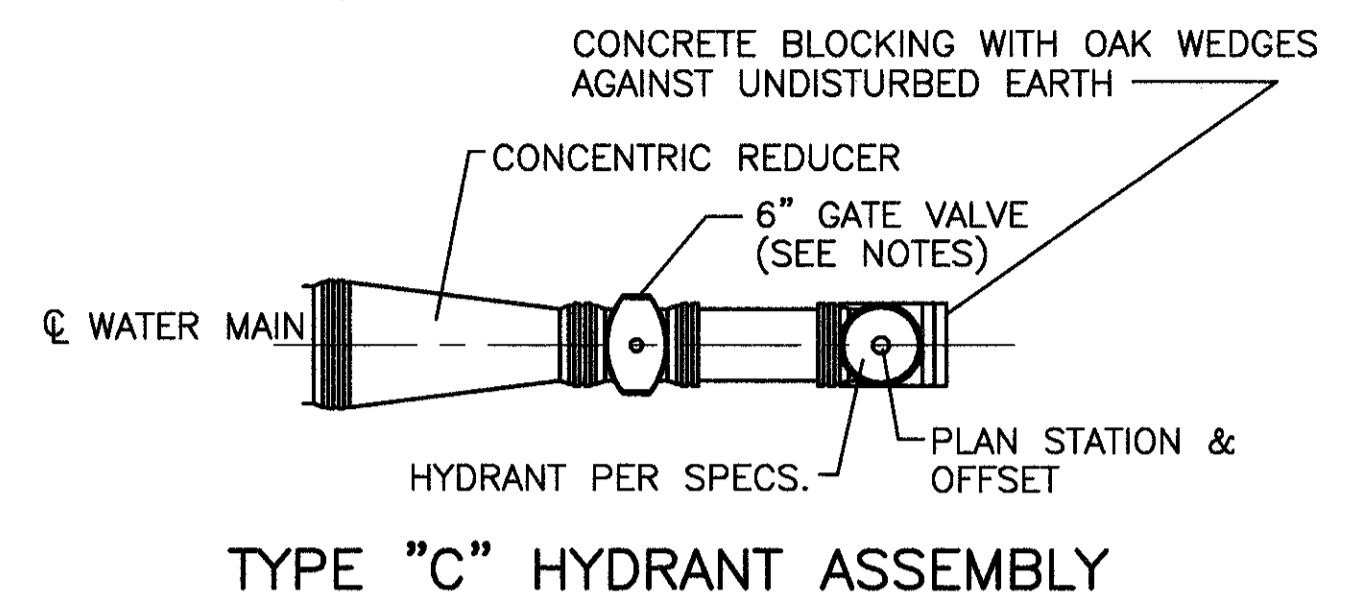
1. HYDRANT TO BE MULLER CENTURION (A-23), KENNEDY (K-81), OR AMERICAN DARLING.
2. ALL HYDRANTS SHALL BE 4 1/4 INCH VALVE OPENING.
3. ALL HYDRANTS SHALL HAVE NATIONAL STANDARD THREADS ON NOZZLES.
4. VALVES TO BE ENCAPSULATED RESISTANT WEDGE TYPE VALVES.



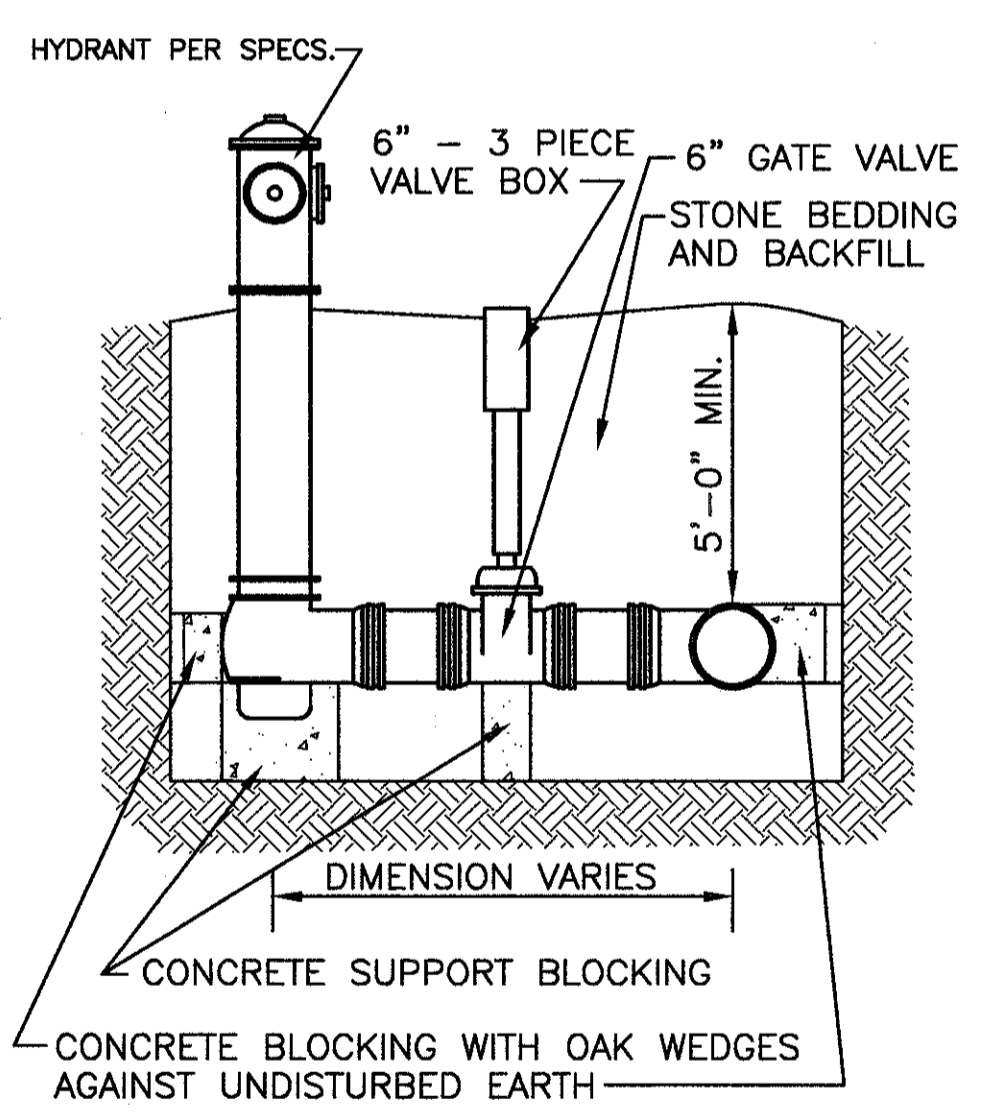
TYPE "A" HYDRANT ASSEMBLY



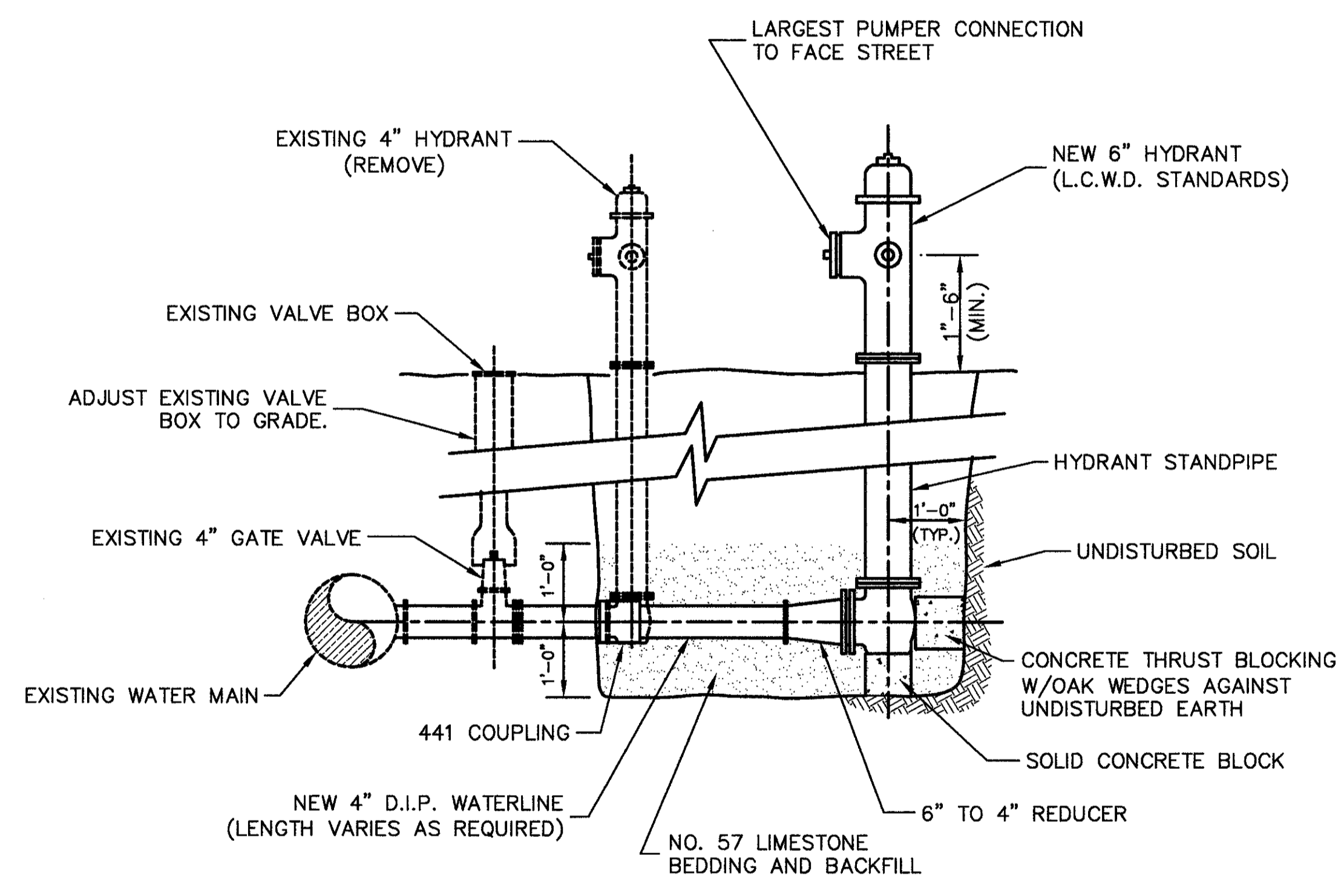
TYPE "B" HYDRANT ASSEMBLY



TYPE "C" HYDRANT ASSEMBLY



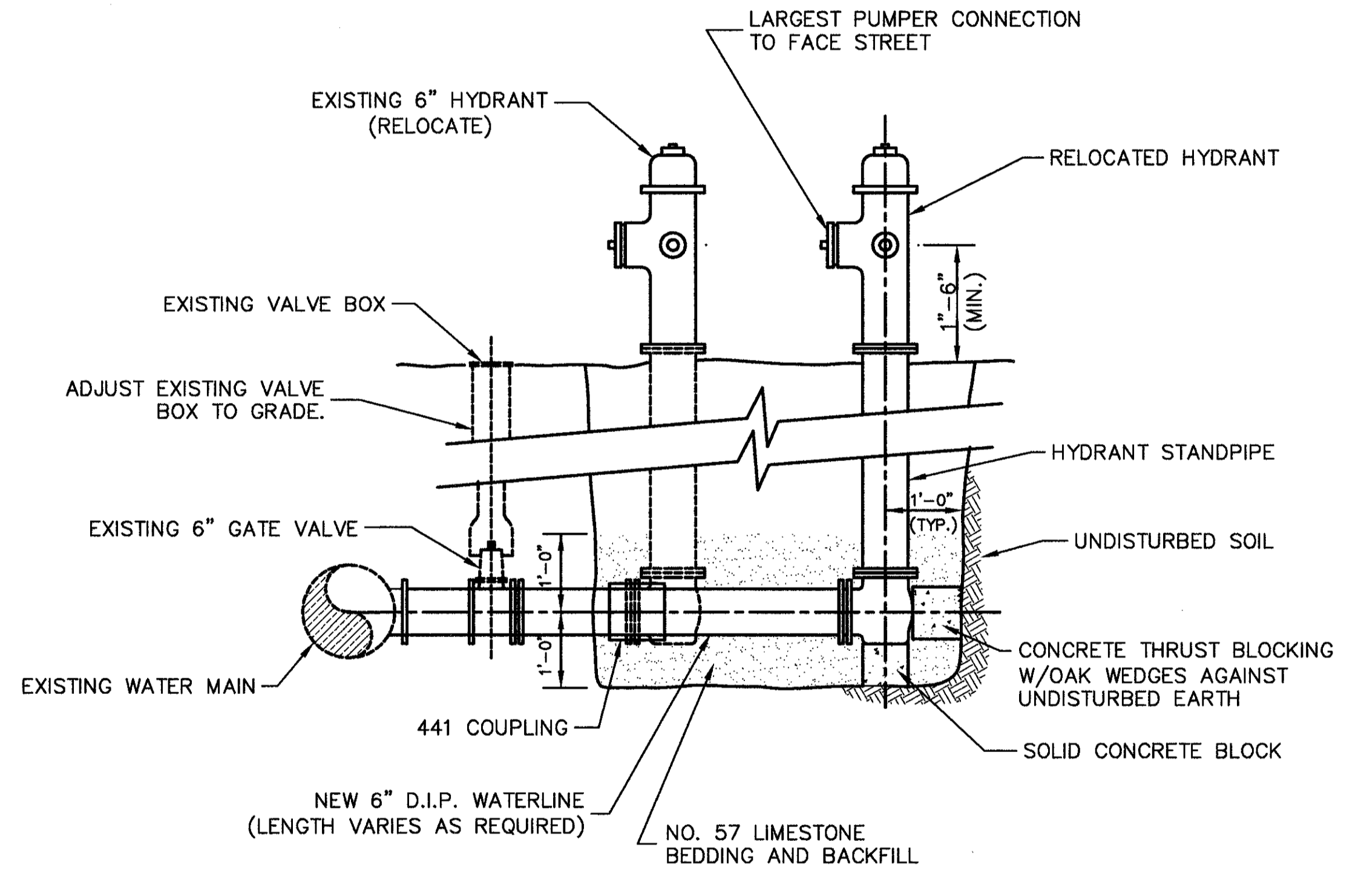
TYPICAL HYDRANT ASSEMBLY ELEVATION



REPLACEMENT / RELOCATION OF EXISTING 4" HYDRANT

NOTES:
THE CONTRACTOR SHALL CAREFULLY REMOVE THE EXISTING HYDRANT, EXTEND THE 4" WATERLINE AND INSTALL A 6" TO 4" REDUCER AND NEW 6" FIRE HYDRANT AT THE LOCATION CALLED OUT ON THE PLAN SHEETS. ALL NEW WATERLINE MATERIAL AND FITTINGS SHALL BE PER LAKE COUNTY WATER DEPARTMENT STANDARDS. THE CONTRACTOR SHALL BE RESPONSIBLE FOR THE DISPOSAL OF THE EXISTING HYDRANT.

ALL COSTS ASSOCIATED WITH THIS WORK INCLUDING EXCAVATION; GRANULAR BACKFILL; FITTINGS; NUTS; BOLTS; ZINC PROTECTO CAPS; HYDRANT INLET PIPE AND EXTENSION; DEWATERING; SHEETING OR SHORING; PIPE BEDDING AND PIPE BACKFILL; DISPOSAL OF WASTE MATERIALS; PROTECTION OF STRUCTURES, UTILITIES, SERVICE CONNECTIONS OR OTHER FACILITIES; THRUST BLOCKING; JOINT RESTRAINTS; TESTING; FLUSHING; STERILIZING; AND PAINTING ALL HYDRANTS, TOGETHER WITH ALL LABOR, EQUIPMENT, TOOLS AND MATERIALS NECESSARY TO COMPLETE THE WORK AS SHOWN, SPECIFIED, OR AS DIRECTED BY THE ENGINEER SHALL BE THE CONTRACTOR'S RESPONSIBILITY.



RELOCATION OF EXISTING 6" HYDRANT

NOTES:
THE CONTRACTOR SHALL CAREFULLY REMOVE THE EXISTING HYDRANT, EXTEND THE 6" WATERLINE AND INSTALL THE RELOCATED FIRE HYDRANT AT THE LOCATION CALLED OUT ON THE PLANS. ALL NEW WATERLINE MATERIAL AND FITTINGS SHALL BE PER LAKE COUNTY WATER DEPARTMENT STANDARDS.

ALL COSTS ASSOCIATED WITH THIS WORK INCLUDING EXCAVATION; GRANULAR BACKFILL; FITTINGS; NUTS; BOLTS; ZINC PROTECTO CAPS; HYDRANT INLET PIPE AND EXTENSION; DEWATERING; SHEETING OR SHORING; PIPE BEDDING AND PIPE BACKFILL; DISPOSAL OF WASTE MATERIALS; PROTECTION OF STRUCTURES, UTILITIES, SERVICE CONNECTIONS OR OTHER FACILITIES; THRUST BLOCKING; JOINT RESTRAINTS; TESTING; FLUSHING; STERILIZING; AND PAINTING ALL HYDRANTS, TOGETHER WITH ALL LABOR, EQUIPMENT, TOOLS AND MATERIALS NECESSARY TO COMPLETE THE WORK AS SHOWN, SPECIFIED, OR AS DIRECTED BY THE ENGINEER SHALL BE THE CONTRACTOR'S RESPONSIBILITY.

LAKE COUNTY WATER DEPARTMENT HYDRANT ASSEMBLY DETAILS

NO SCALE