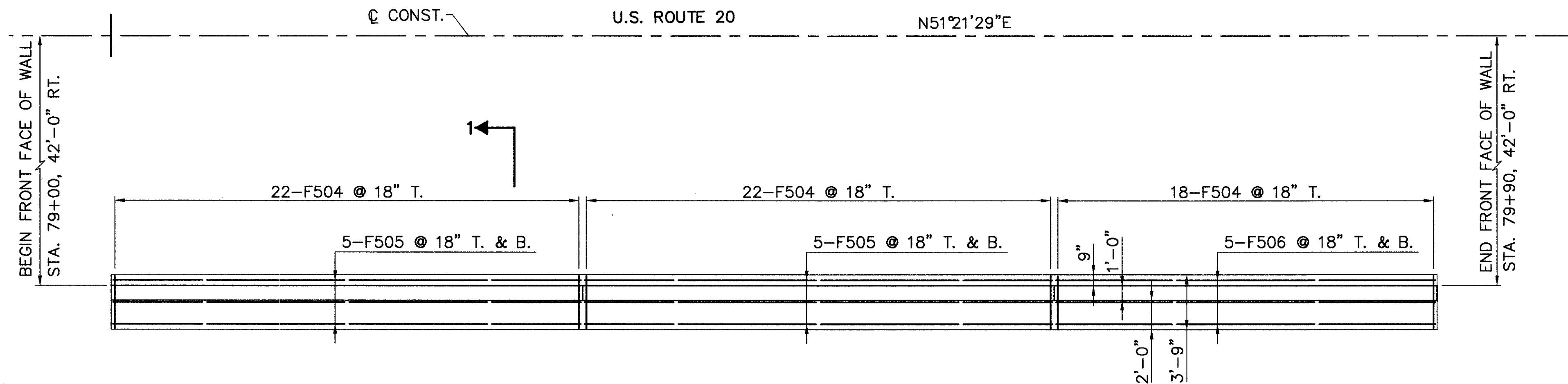
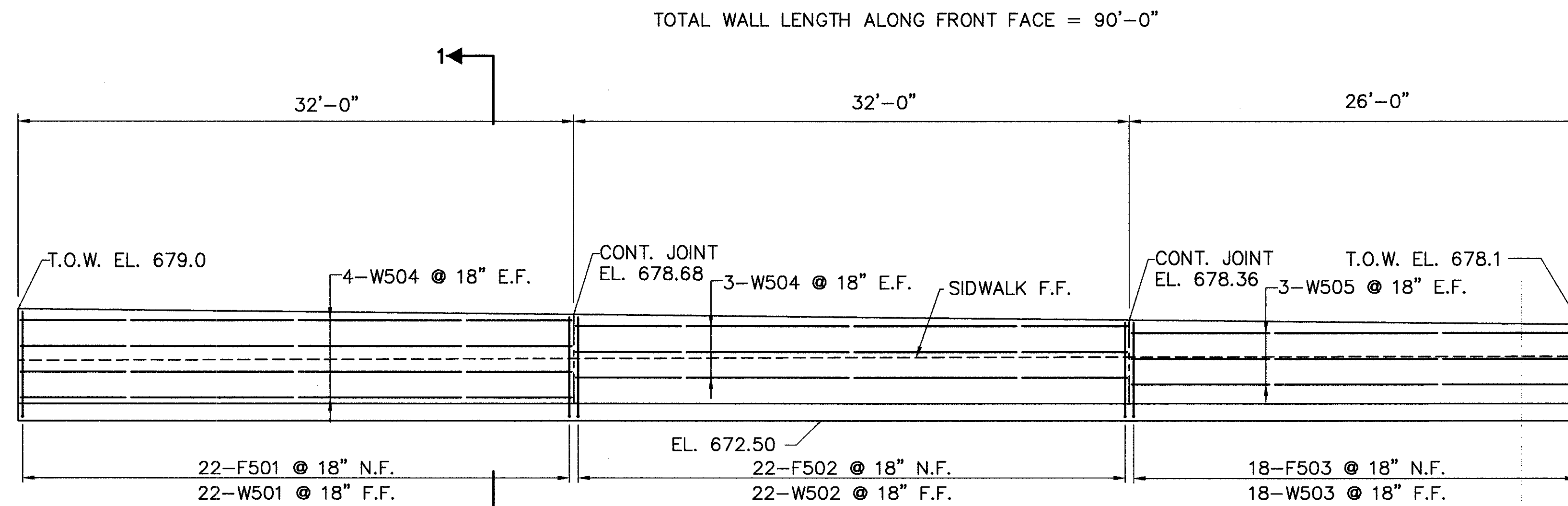


H:\1998\98404\DWG\8404STRCRW1.DWG



FOOTING PLAN



ELEVATION

LEGEND:
 E.F. DENOTES EACH FACE
 N.F. DENOTES NEAR FACE
 F.F. DENOTES FAR FACE
 T. DENOTES TOP
 B. DENOTES BOTTOM
 DWL'S DENOTES DOWELS
 T.O.W. TOP OF WALL

CALCULATED
CHECKED

RETAINING WALL PLAN AND ELEVATION
STA. 79+00 TO STA. 79+90

LAK - 20 - 18.72

266A
441